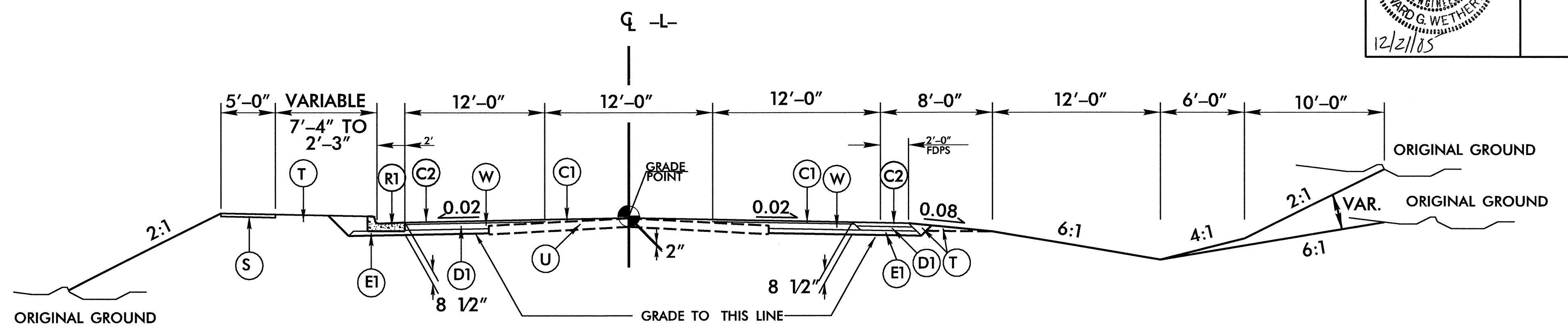


PAVEMENT SCHEDULE	
C1	PROP. APPROX. 2" ASPHALT CONCRETE SURFACE COURSE, TYPE S9.5A, AT AN AVERAGE RATE OF 140 LBS. PER SQ. YD.
C2	PROP. APPROX. 2 1/2" ASPHALT CONCRETE SURFACE COURSE, TYPE S9.5A, AT AN AVERAGE RATE OF 140 LBS. PER SQ. YD. IN EACH OF TWO LAYERS.
C3	PROP. VAR. DEPTH ASPHALT CONCRETE SURFACE COURSE, TYPE S9.5A, AT AN AVERAGE RATE OF 112 LBS. PER SQ. YD. PER 1" DEPTH. TO BE PLACED IN LAYERS NOT TO EXCEED 1 1/2" IN DEPTH.
D1	PROP. APPROX. 2 1/2" ASPHALT CONCRETE INTERMEDIATE COURSE, TYPE I19.0B, AT AN AVERAGE RATE OF 285 LBS. PER SQ. YD.
D2	PROP. APPROX. 2 1/4" ASPHALT CONCRETE INTERMEDIATE COURSE, TYPE I19.0B, AT AN AVERAGE RATE OF 256.5 LBS. PER SQ. YD.
D3	PROP. VAR. DEPTH ASPHALT CONCRETE INTERMEDIATE COURSE, TYPE I19.0B, AT AN AVERAGE RATE OF 114 LBS. PER SQ. YD. PER 1" DEPTH. TO BE PLACED IN LAYERS NOT LESS THAN 2 1/4" IN DEPTH OR GREATER THAN 4" IN DEPTH.
E1	PROP. APPROX. 3 1/2" ASPHALT CONCRETE BASE COURSE, TYPE B25.0B, AT AN AVERAGE RATE OF 399 LBS. PER SQ. YD.
E2	PROP. VAR. DEPTH ASPHALT CONCRETE BASE COURSE, TYPE B25.0B, AT AN AVERAGE RATE OF 114 LBS. PER SQ. YD. PER 1" DEPTH. TO BE PLACED IN LAYERS NOT LESS THAN 3" IN DEPTH OR GREATER THAN 5 1/2" IN DEPTH.
J	PROP. 8" AGGREGATE BASE COURSE.
P	PRIME COAT AT THE RATE OF .35 GAL. PER SQ. YD.
R1	2'-6" CONCRETE CURB AND GUTTER.
S	4" CONCRETE SIDEWALK.
T	EARTH MATERIAL.
U	EXISTING PAVEMENT.
W	WEDGING

NOTE: PAVEMENT EDGE SLOPES ARE 1:1 UNLESS SHOWN OTHERWISE.

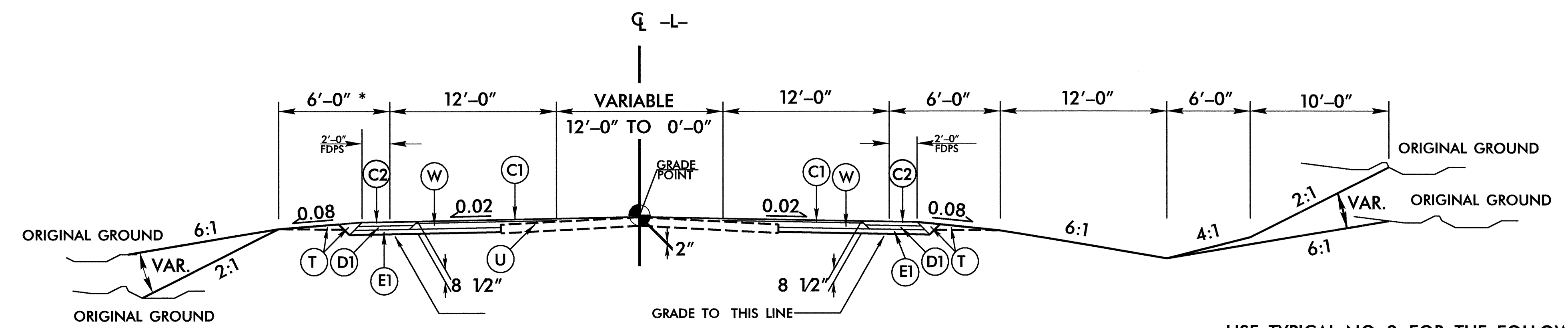


TYPICAL SECTION NO. 1

FDPS=FULL DEPTH PAVED SHOULDER

USE TYPICAL NO. 1 FOR THE FOLLOWING
 -L- STA. 12+00.00 TO STA. BEGIN BRIDGE

TRANSITION FROM EXIST. TO TS NO. 1
 -L- STA. 11+50.00 TO STA. 12+00.00

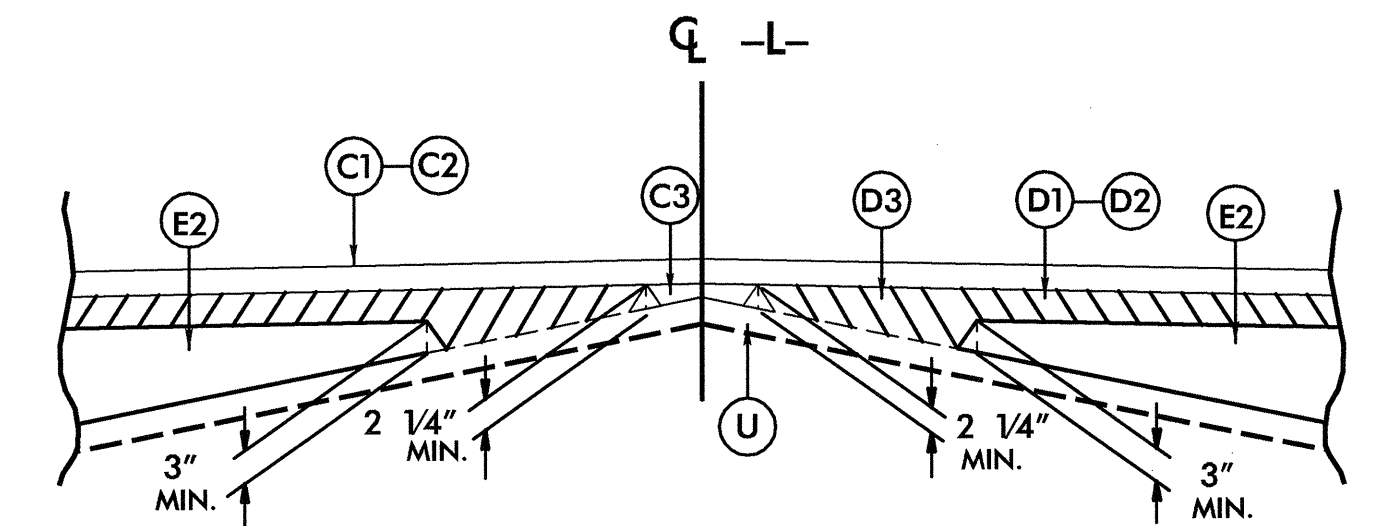


TYPICAL SECTION NO. 2

* NOTE: ADD 3' FOR GUARDRAIL
 FDPS=FULL DEPTH PAVED SHOULDER

USE TYPICAL NO. 2 FOR THE FOLLOWING
 -L- STA. END BRIDGE TO STA. 19+00.00

TRANSITION FROM EXIST. TO TS NO. 1
 -L- STA. 18+50.00 TO STA. 19+00.00



Detail Showing Method of Wedging