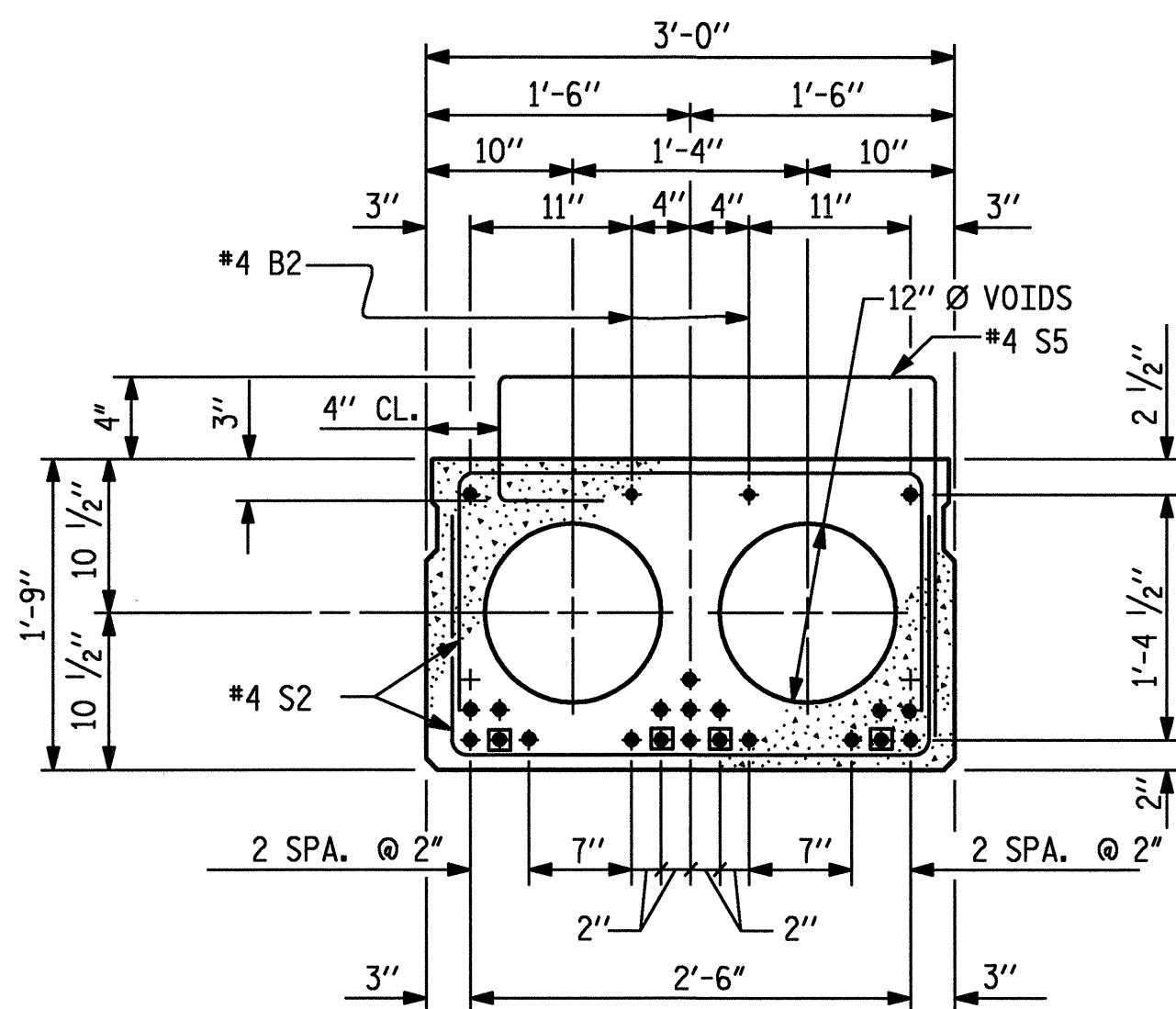


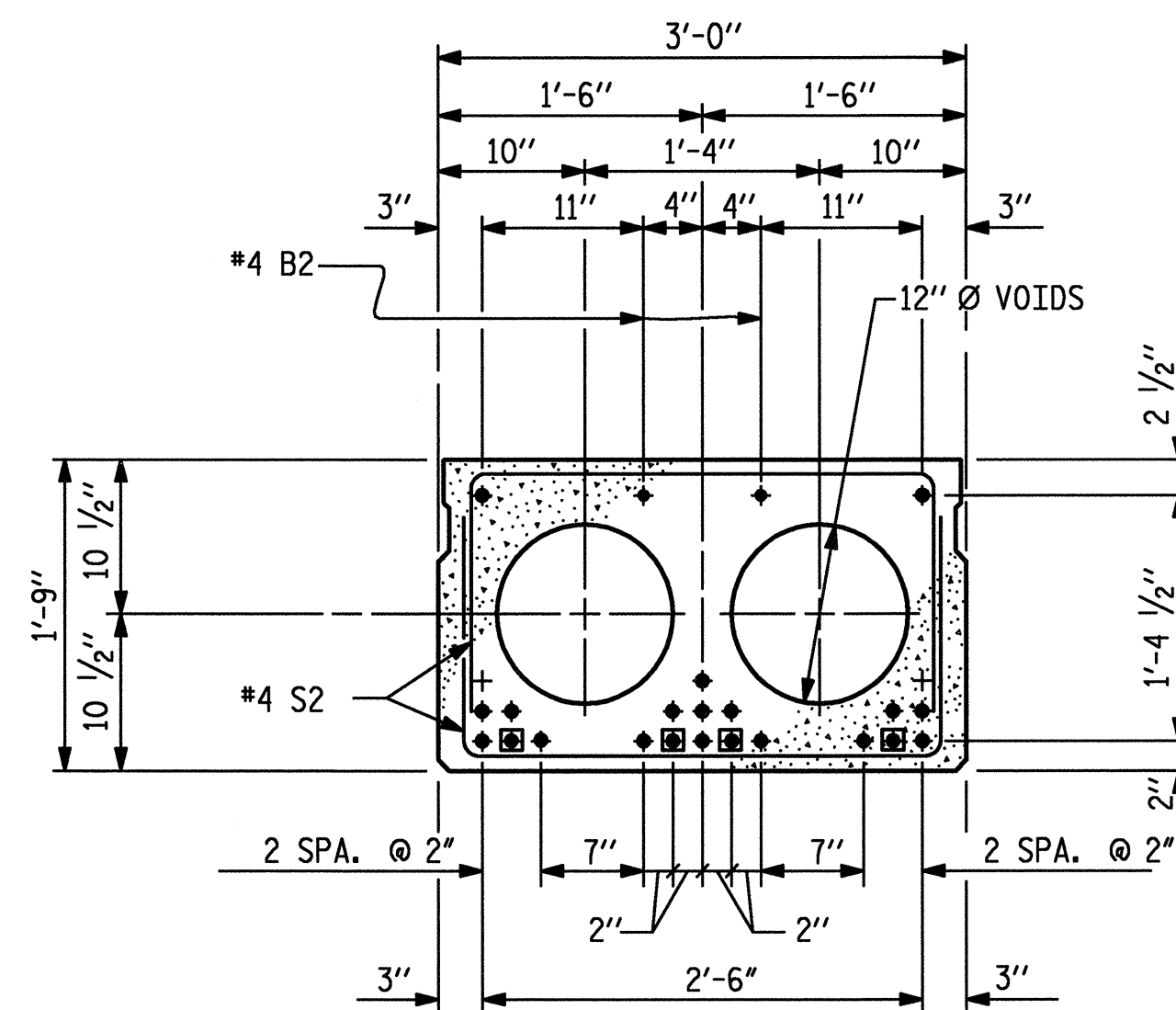
EXTERIOR SLAB SECTION

(FOR PRESTRESSED STRAND LAYOUT, SEE INTERIOR SLAB SECTION.)
(UNIT 1)



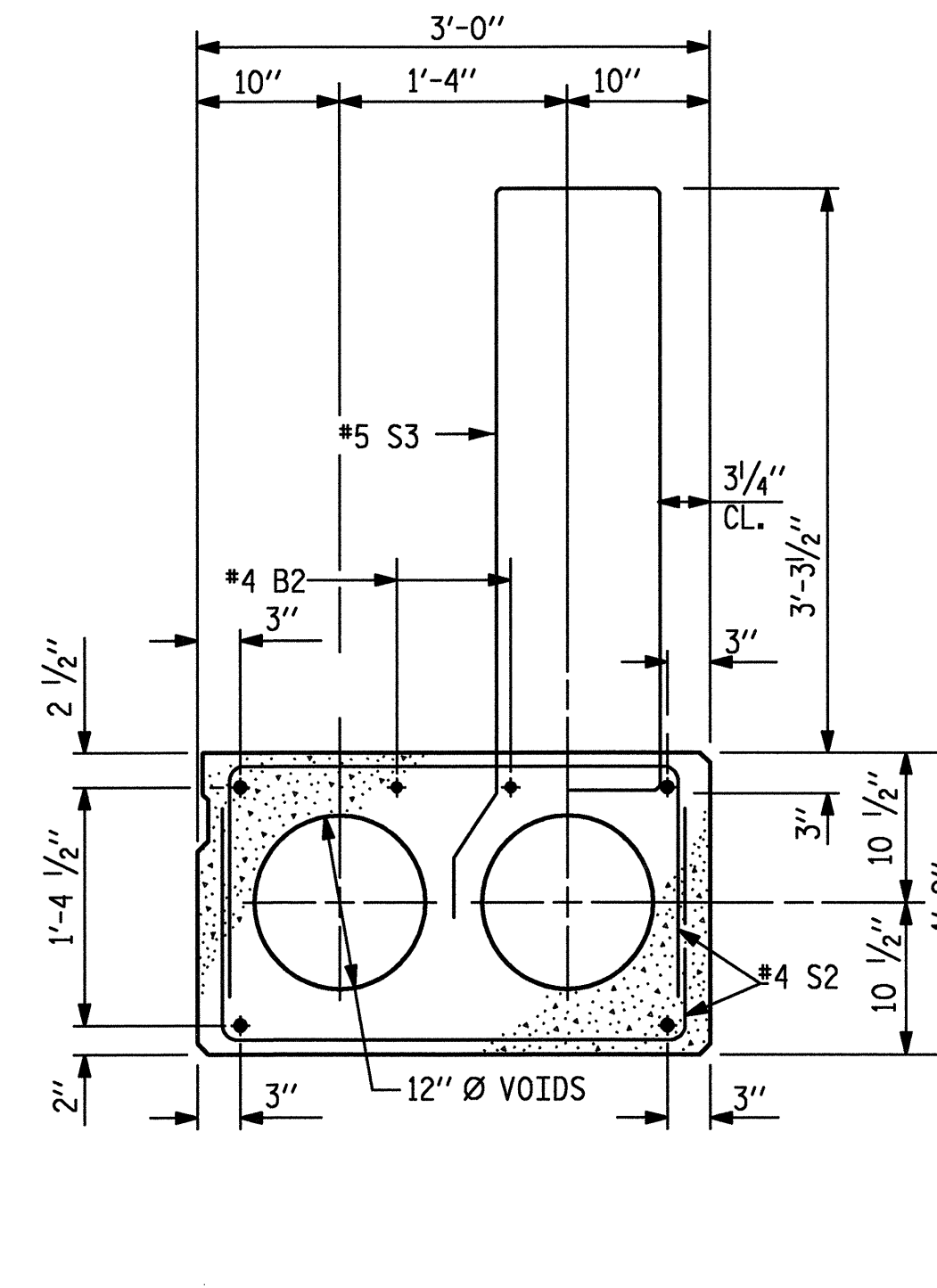
INTERIOR SLAB SECTION
1/2" Ø LOW RELAXATION STRAND LAYOUT

(UNIT 2)
21 - 1/2" Ø H.S. STRANDS



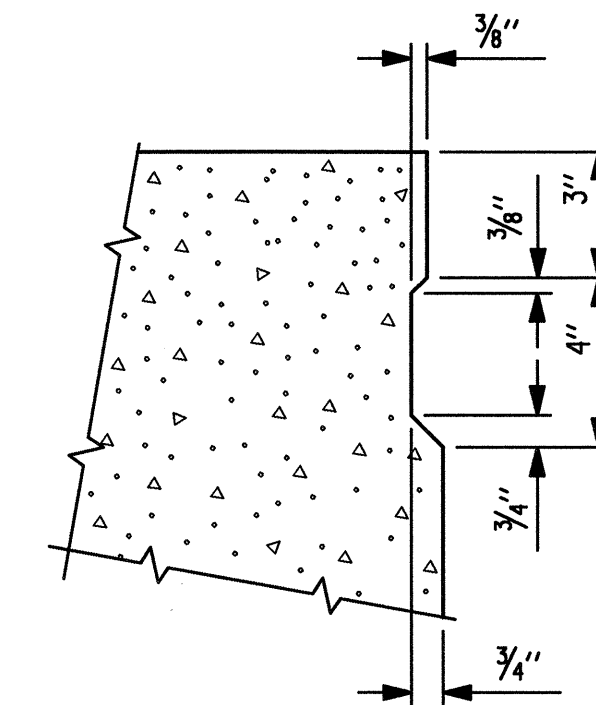
INTERIOR SLAB SECTIONS
1/2" Ø LOW RELAXATION STRAND LAYOUT

(UNITS 3 THRU 17)
21 - 1/2" Ø H.S. STRANDS



EXTERIOR SLAB SECTION

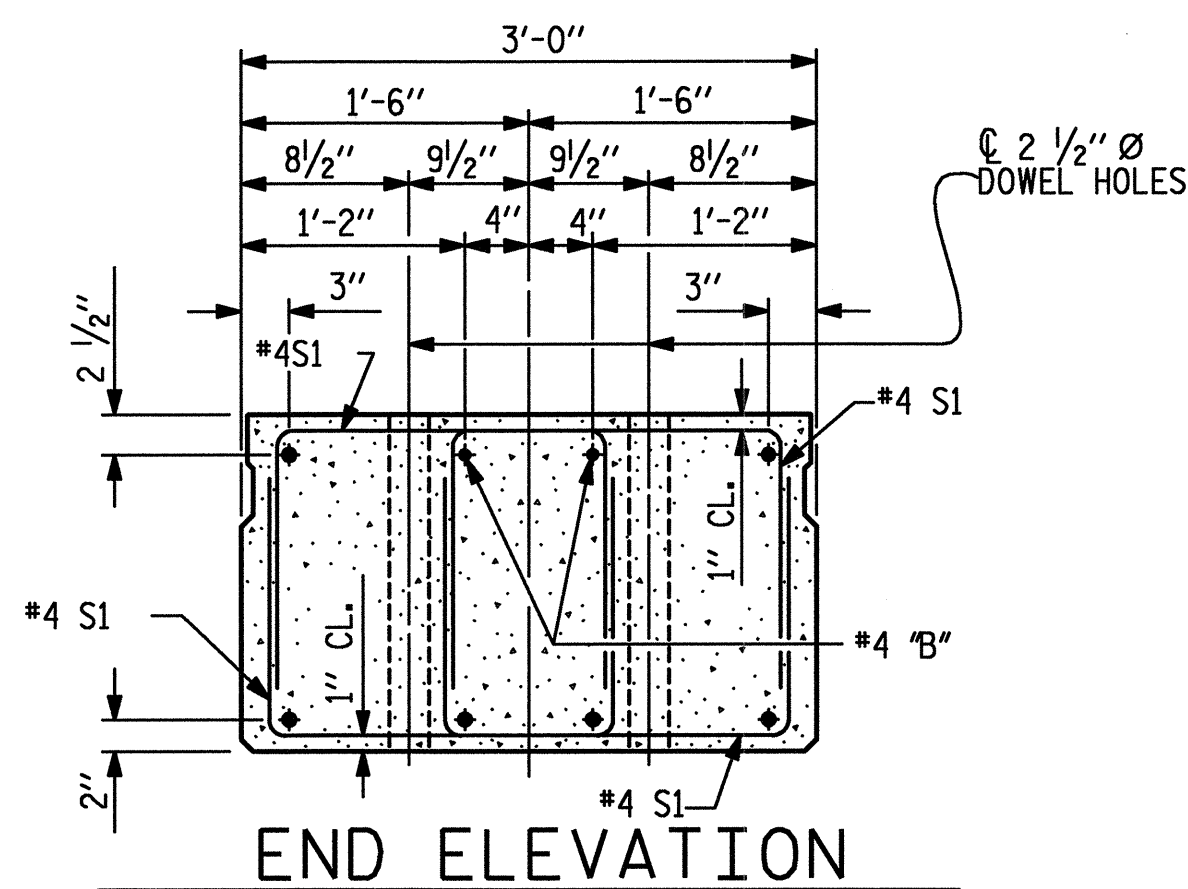
(FOR PRESTRESSED STRAND LAYOUT, SEE INTERIOR SLAB SECTION.)
(UNIT 18)



SHEAR KEY DETAIL

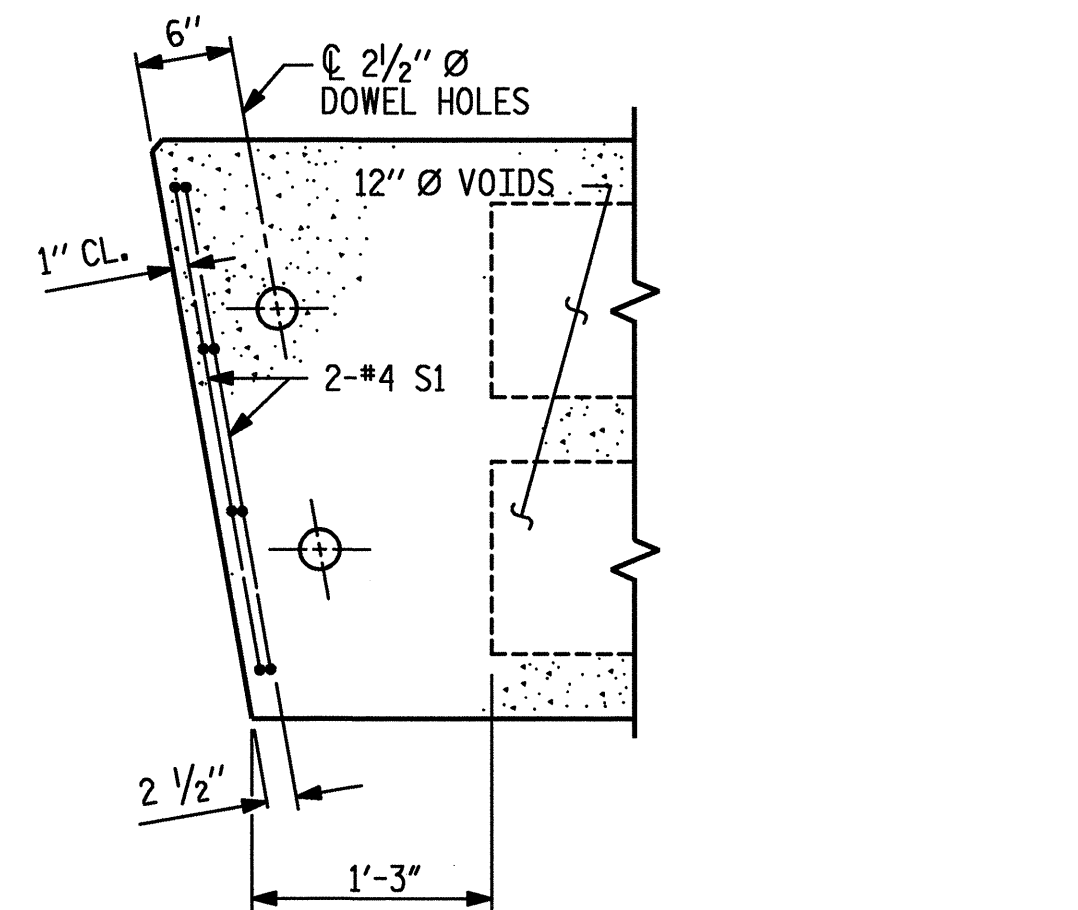
NOTE: OMIT SHEAR KEY ON OUTSIDE FACE OF EXTERIOR CORED SLABS.

□ DENOTES DEBONDED STRANDS. BOND SHALL BE BROKEN ON THESE STRANDS FOR A DISTANCE OF 4'-0" FROM THE END OF THE CORED SLAB UNIT. SEE NCDOT STANDARD SPECIFICATIONS SECTION 1078-7.

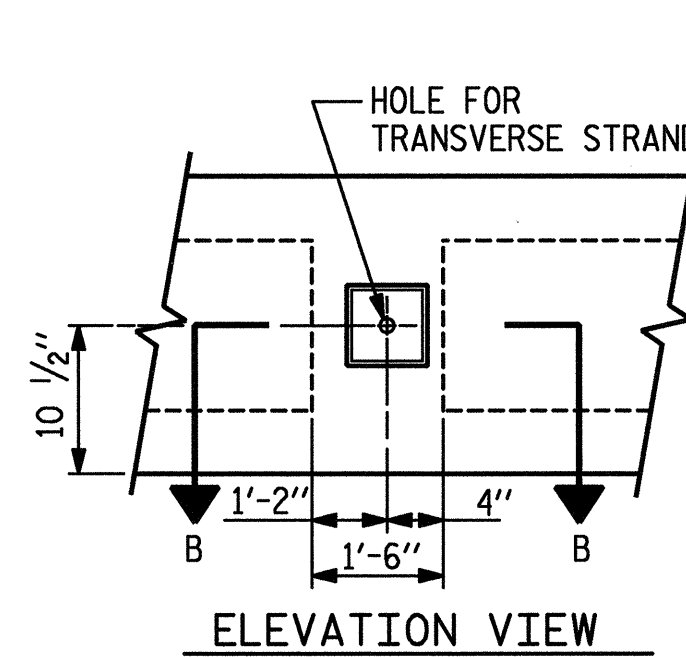


END ELEVATION

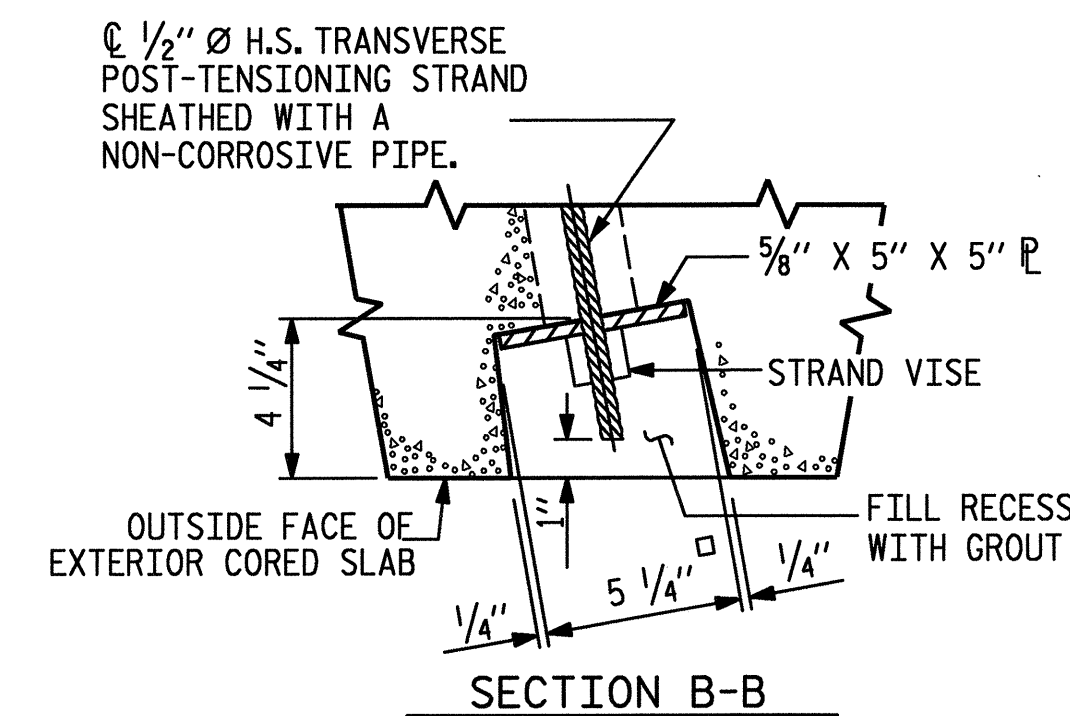
SHOWING PLACEMENT OF DOUBLE STIRRUPS AND LOCATION OF DOWEL HOLES. (STRAND LAYOUT NOT SHOWN). INTERIOR SLAB SECTION SHOWN-EXTERIOR SLAB SECTION SIMILAR EXCEPT SHEAR KEY LOCATION.



PART PLAN SHOWING END OF UNITS



ELEVATION VIEW



SECTION B-B

GROUTED RECESS AT END OF POST-TENSIONED STRAND CORED SLABS

WBS. NO. 37017
WAKE COUNTY
 STATION: 14+04.00 -L-
 REPLACES BRIDGE NO. 133

SHEET OF

STATE OF NORTH CAROLINA
 DEPARTMENT OF TRANSPORTATION
 RALEIGH

SEAL
 22072
 ENGINEER
 ARTHUR DILWORTH
 1-12-06

ETHERILL ENGINEERING
 559 Jones Franklin Rd, Suite 164
 Raleigh, N.C. 27606
 Bus: 919 851 8077
 Fax: 919 851 8107

TRANSPORTATION PLANNING/DESIGN - BRIDGE/STRUCTURE DESIGN
 CIVIL/SITE DESIGN - GIS/GPS - CONSTRUCTION OBSERVATION

REVISIONS						SHEET NO. S-5
NO.	BY	DATE	NO.	BY	DATE	
1			1			TOTAL SHEETS 23
2			2			

P:\4 100\MA05001\B\Structures\DMG\CORED SLAB.dgn
 1/12/2006 10:51:17 AM

DRAWN BY: J. PENDERGRAFT DATE: 2/05
 CHECKED BY: J. DILWORTH DATE: 2/05