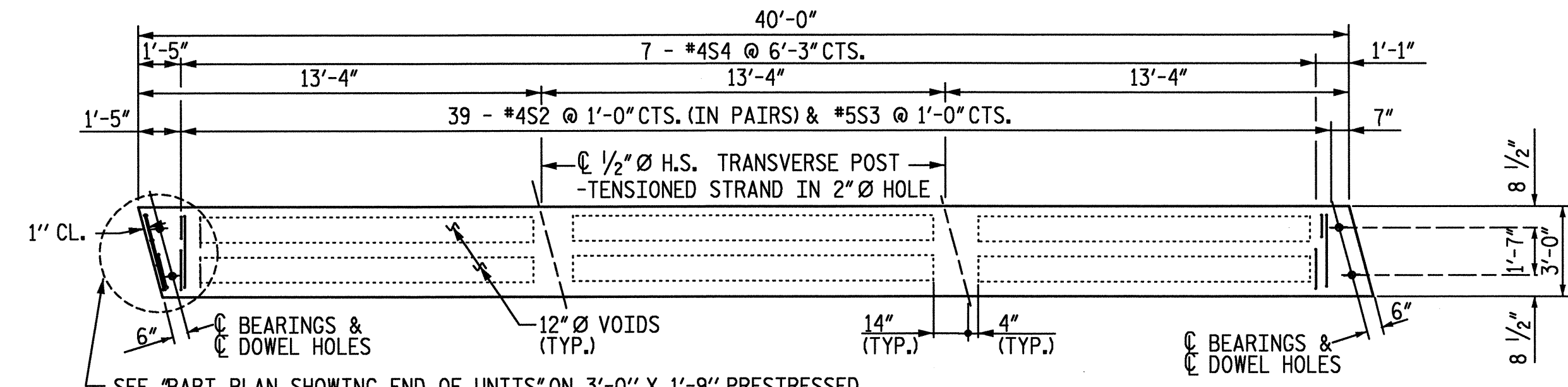
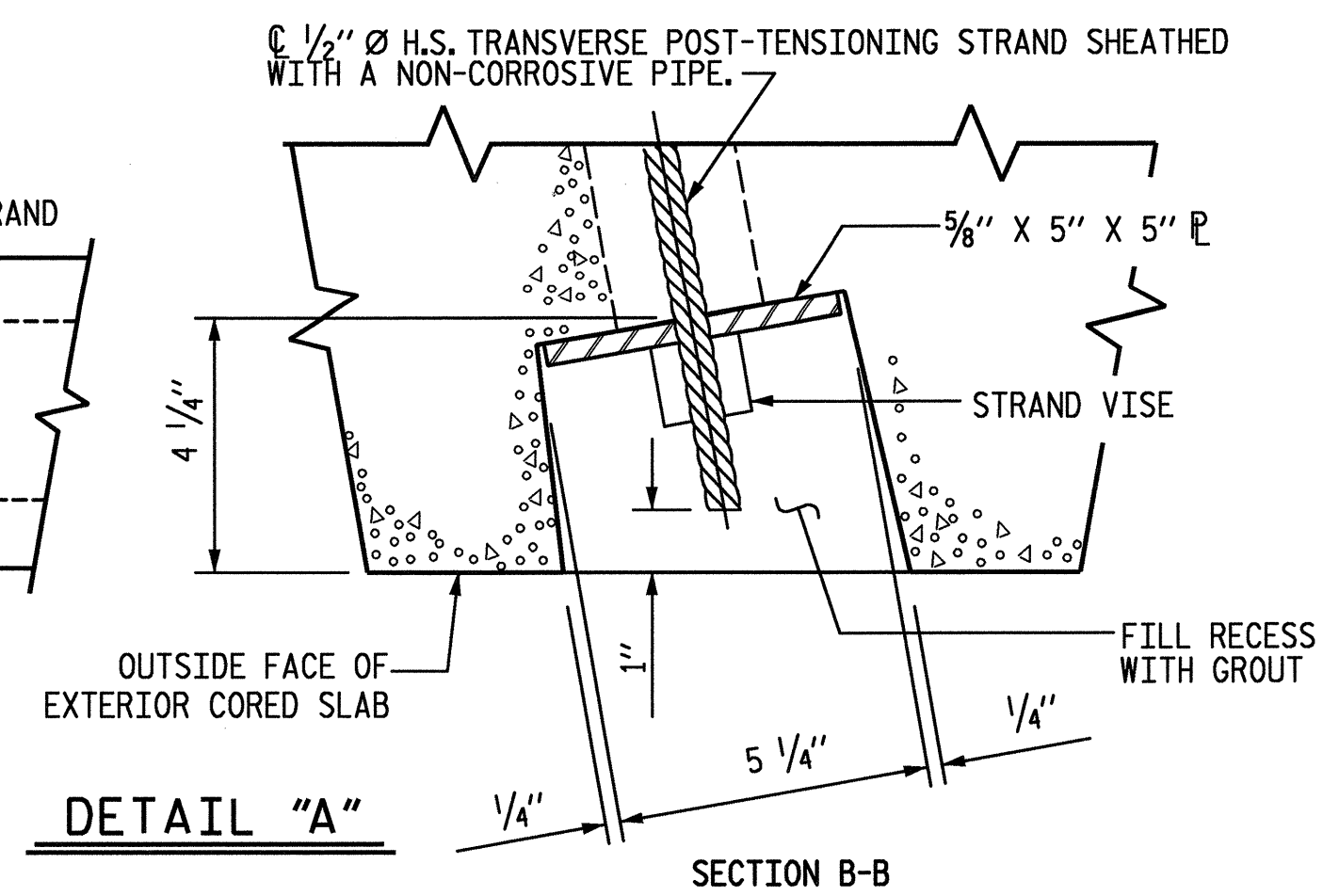
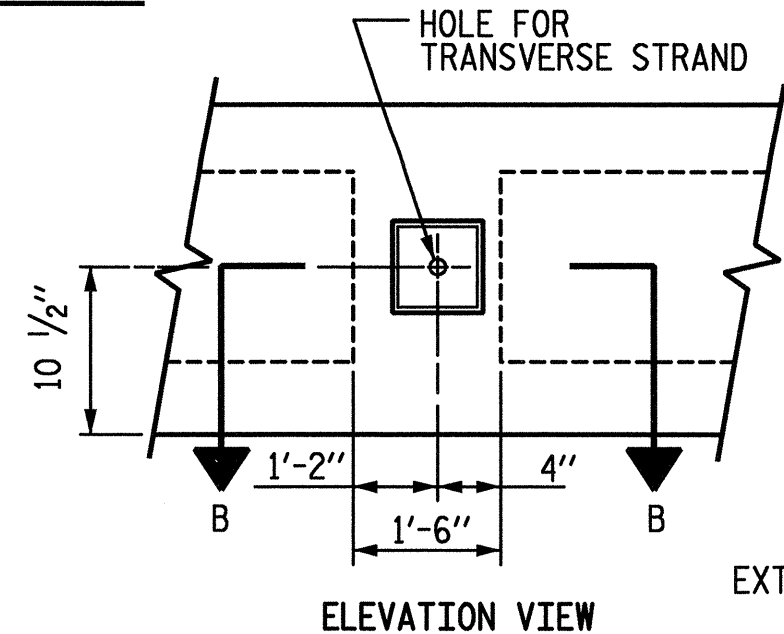
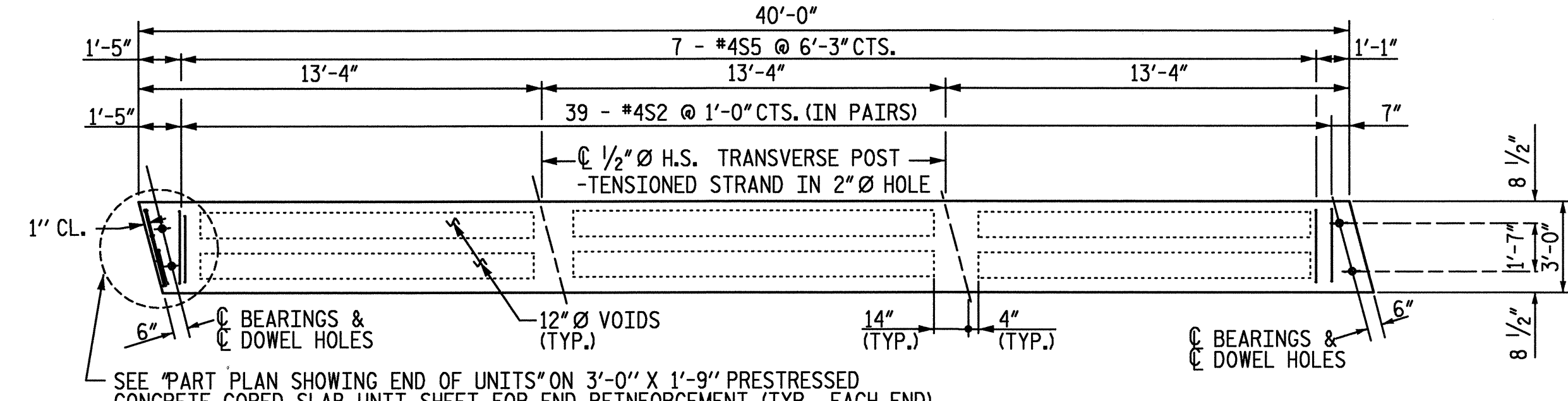


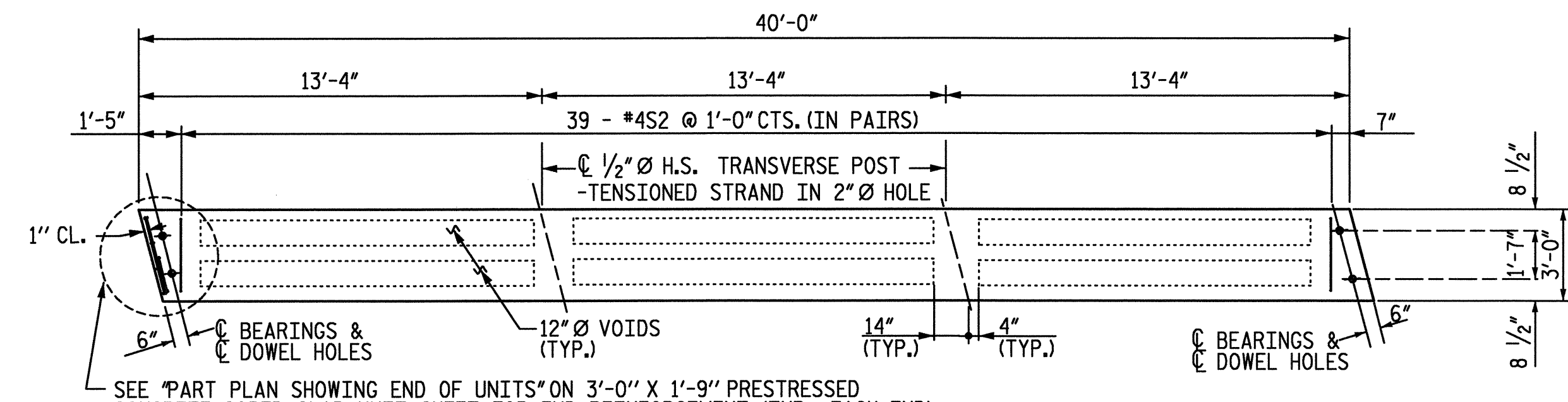
PLAN OF SPAN A & C



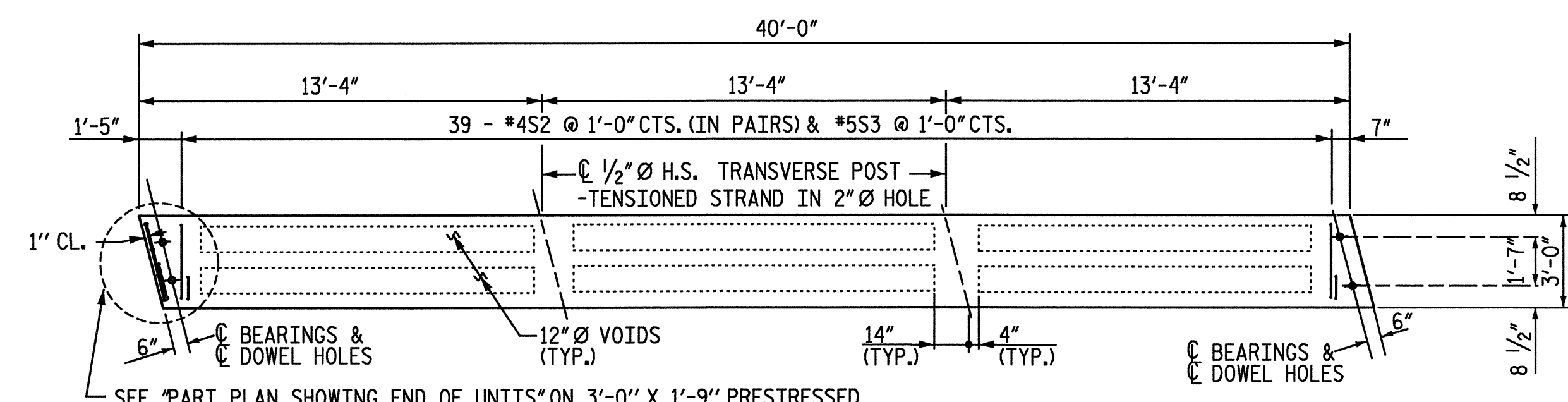
PLAN OF SPAN A & C UNIT 1



PLAN OF SPAN A & C UNIT 2



PLAN OF SPAN A & C UNITS 3 THRU 17



PLAN OF SPAN A & C UNIT 18

WBS. NO. 37017

WAKE COUNTY

STATION: 14+04.00 -L-

REPLACES BRIDGE NO. 133

SHEET OF

STATE OF NORTH CAROLINA

DEPARTMENT OF TRANSPORTATION

RALEIGH

SEAL 22072

ARTHUR D. WORTH

1-12-06

ETHERILL ENGINEERING

559 Jones Franklin Rd. Suite 164

Raleigh, N.C. 27606

Bus: 919 851 8077

Fax: 919 851 8107

TRANSPORTATION PLANNING/DESIGN - BRIDGE/STRUCTURE DESIGN

CIVIL/SITE DESIGN - GIS/GPS - CONSTRUCTION OBSERVATION

REVISIONS						SHEET NO. S-6
NO.	BY	DATE	NO.	BY	DATE	
1			1			TOTAL SHEETS 23
2			2			

P:\100\MA0500\1B\Structures\DWG\SP\ANS.dgn

1/12/2006 10:51:36 AM

DRAWN BY: J. PENDERGRAFT DATE: 2/05

CHECKED BY: J. DILWORTH DATE: 2/05