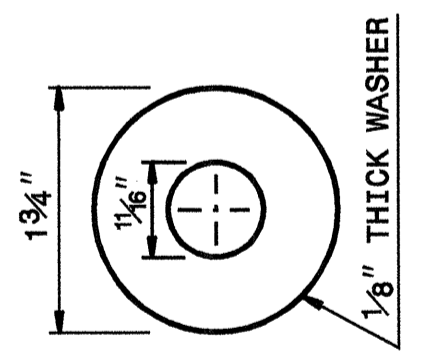
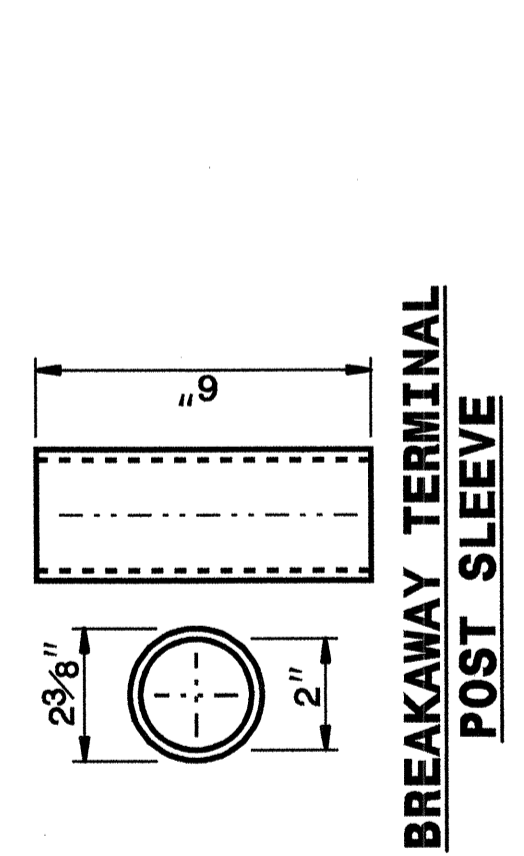
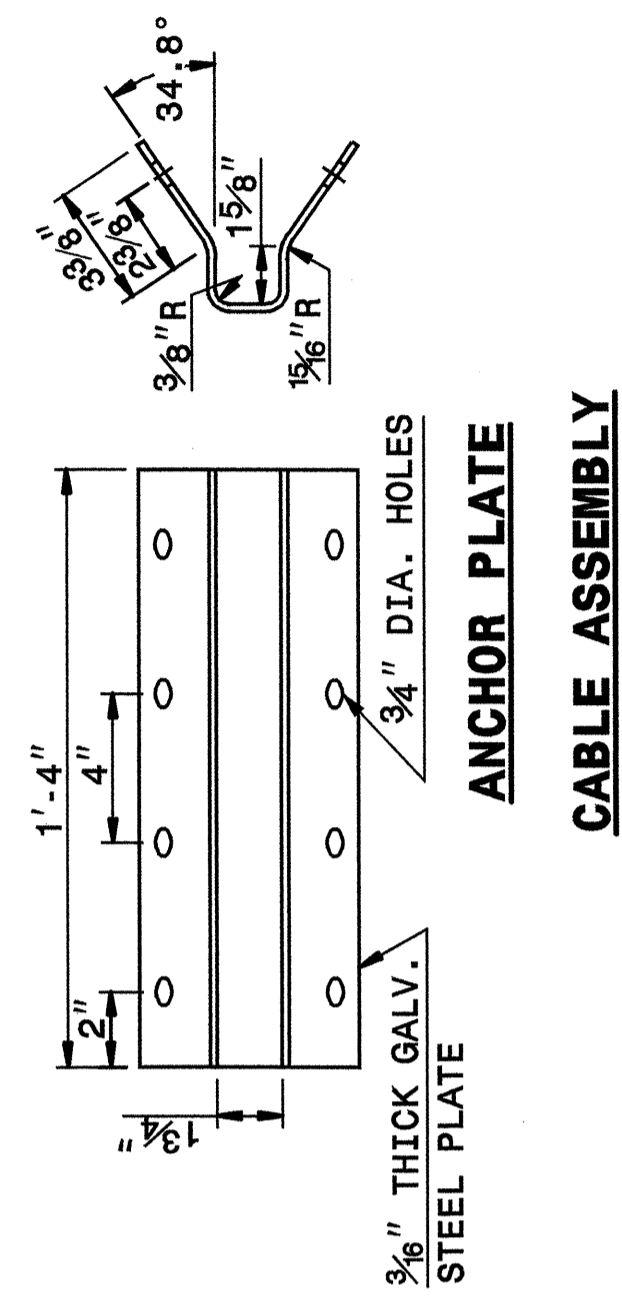
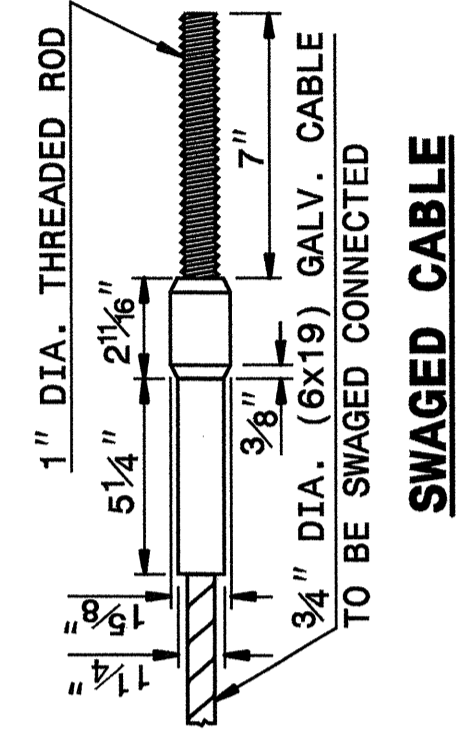
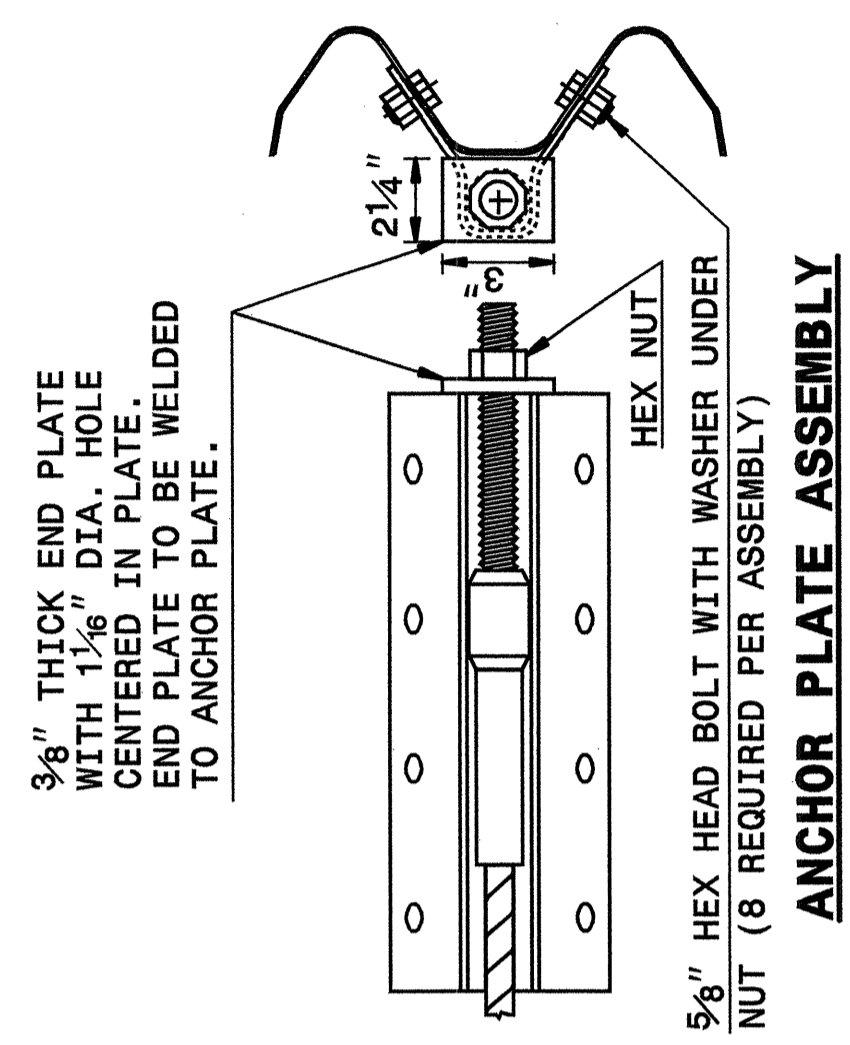


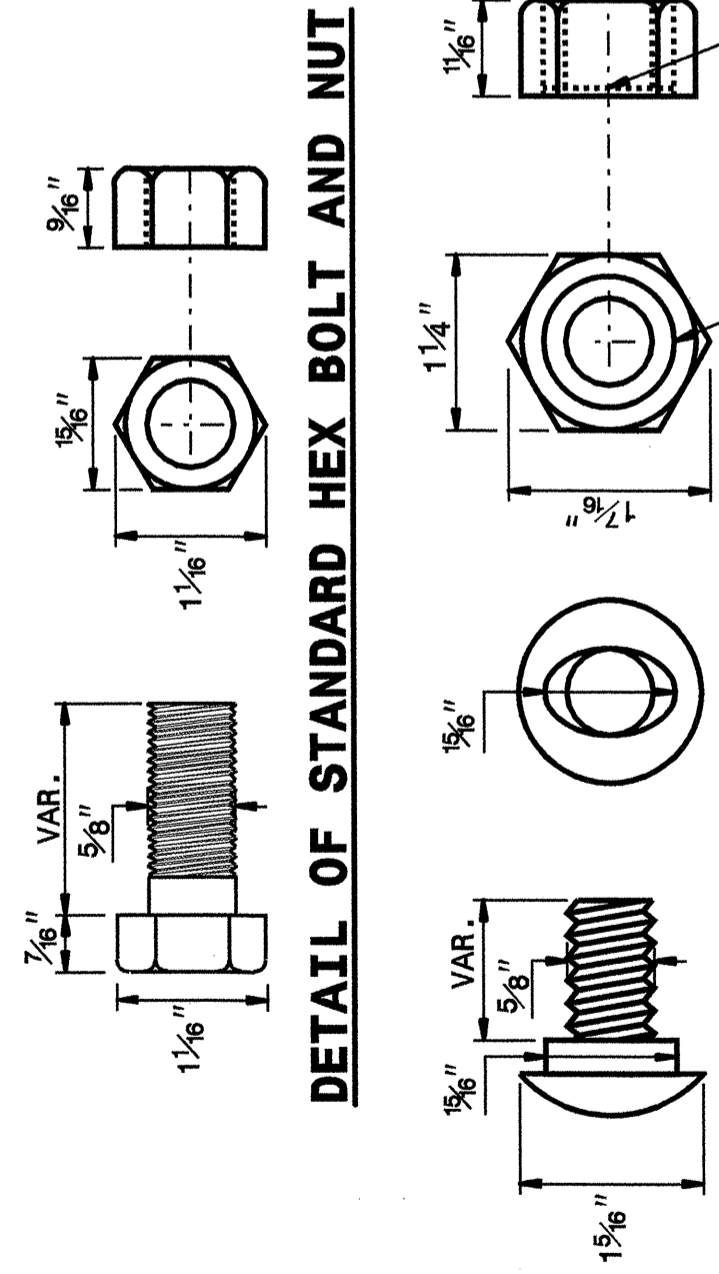
STATE OF NORTH CAROLINA DEPT. OF TRANSPORTATION DIVISION OF HIGHWAYS RALEIGH, N.C.

ENGLISH DETAIL DRAWING FOR GUARDRAIL INSTALLATION

SHEET 5 OF 7 862D02



DETAIL OF STANDARD WASHER  
STANDARD WASHER: TYPICAL USE UNDER NUT WITH WOOD POST



DETAIL OF BUTTON HEAD BOLT AND NUT  
1 5/8" DIA. X 1/2" DEEP RECESS

SYSTEM PARTS

STATE OF NORTH CAROLINA DEPT. OF TRANSPORTATION DIVISION OF HIGHWAYS RALEIGH, N.C.

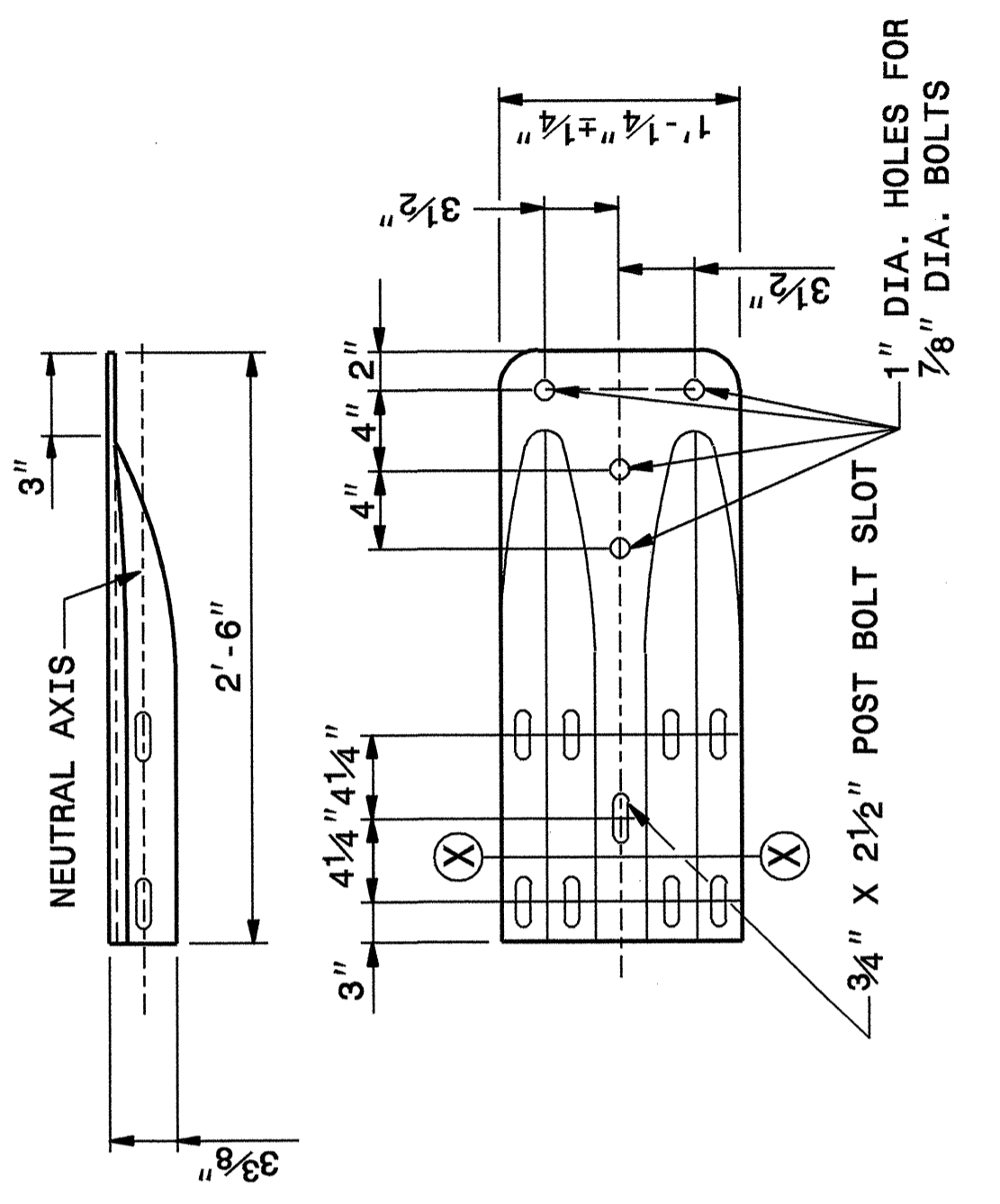
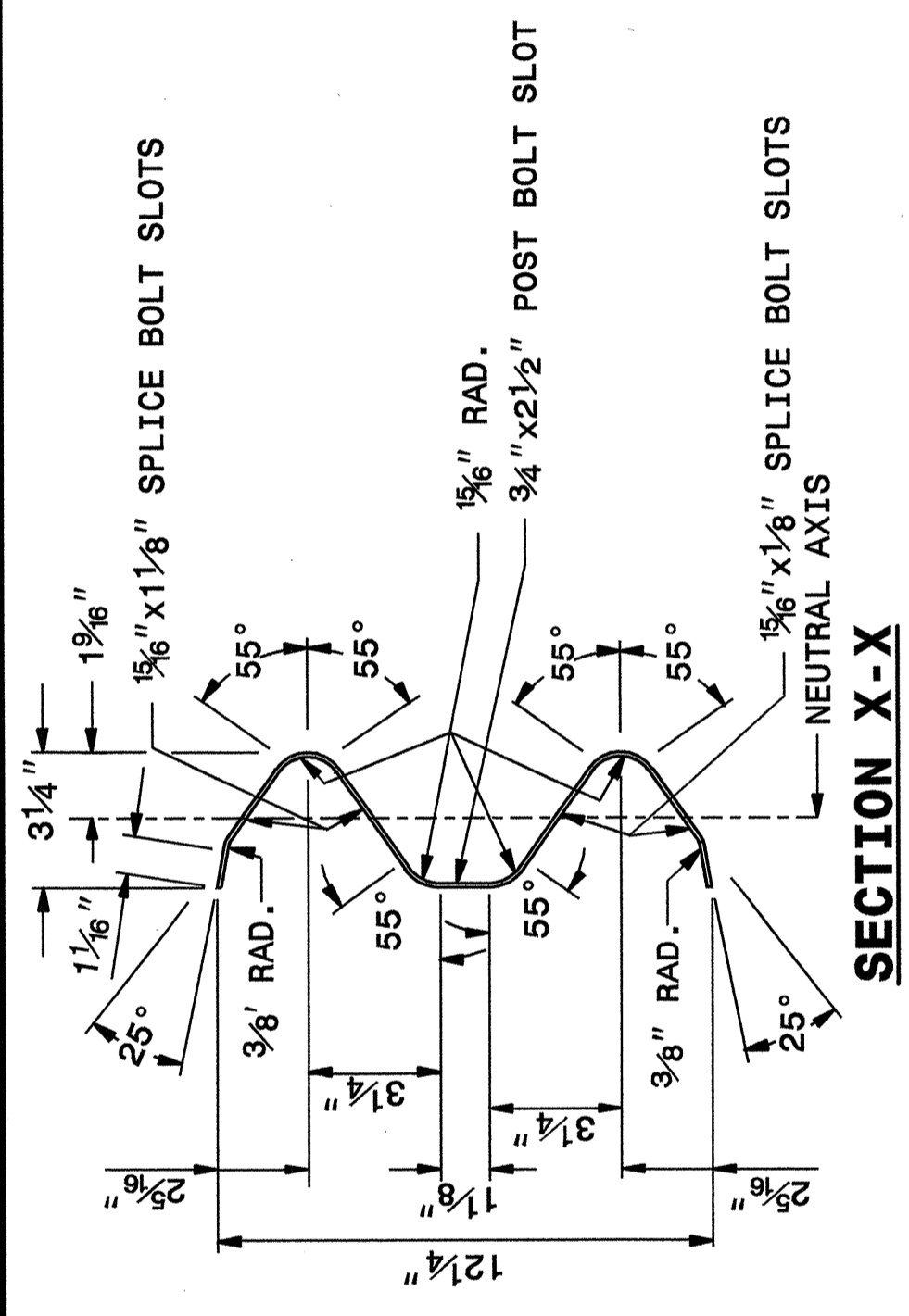
ENGLISH DETAIL DRAWING FOR GUARDRAIL INSTALLATION

SHEET 5 OF 7 862D02

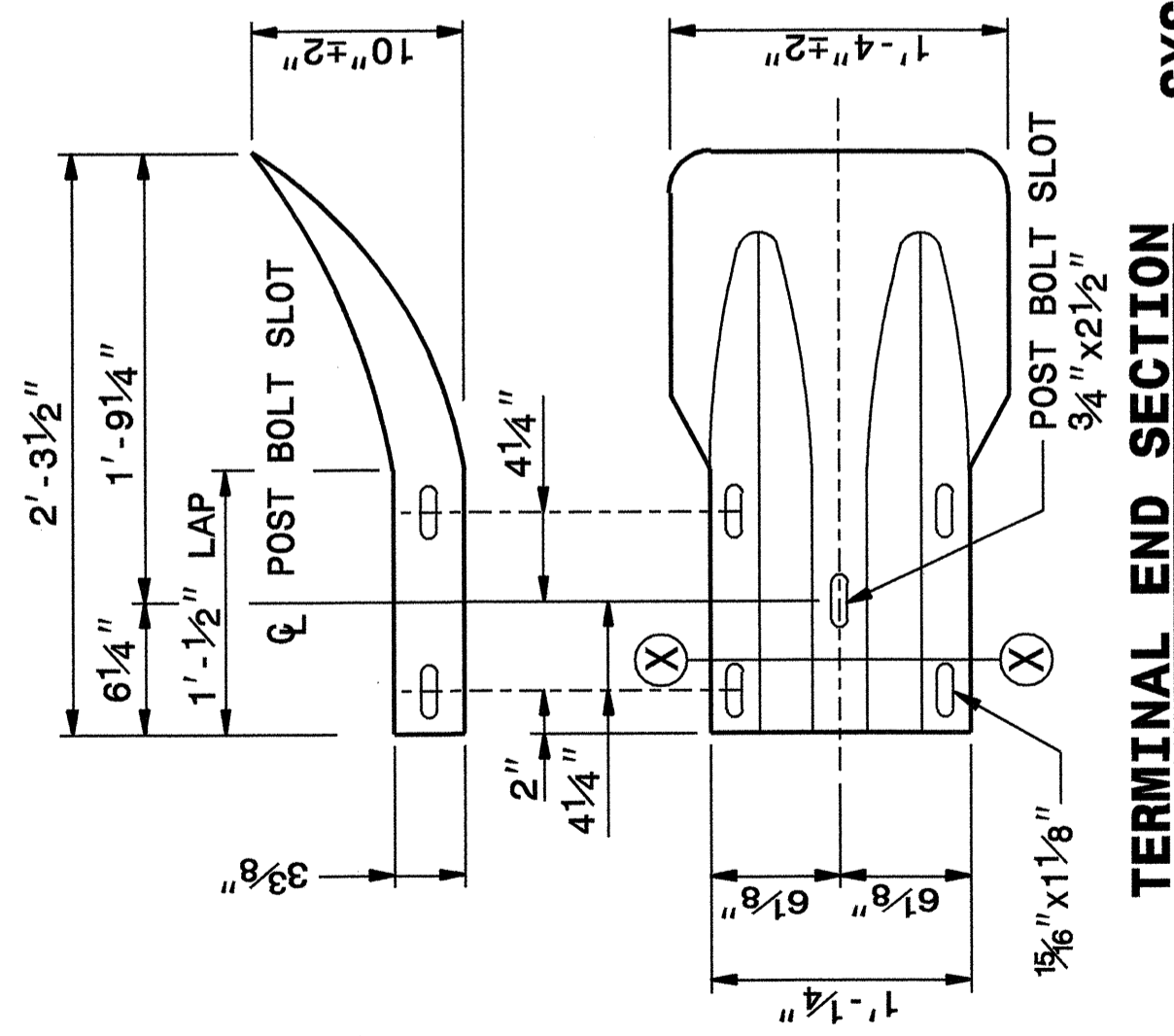
STATE OF NORTH CAROLINA DEPT. OF TRANSPORTATION DIVISION OF HIGHWAYS RALEIGH, N.C.

ENGLISH DETAIL DRAWING FOR GUARDRAIL INSTALLATION

SHEET 6 OF 7 862D02



TYPICAL END SHOE



TERMINAL END SECTION

SYSTEM PARTS - GENERAL USE

STATE OF NORTH CAROLINA DEPT. OF TRANSPORTATION DIVISION OF HIGHWAYS RALEIGH, N.C.

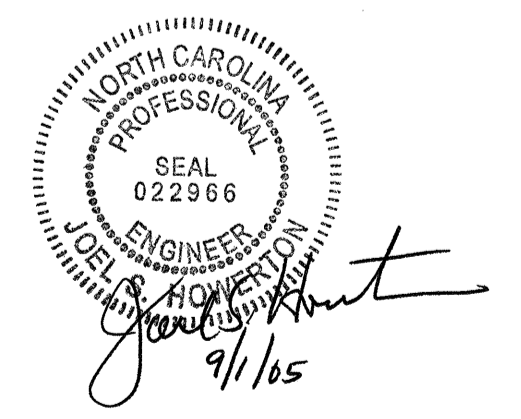
ENGLISH DETAIL DRAWING FOR GUARDRAIL INSTALLATION

SHEET 6 OF 7 862D02

PROJECT SERVICES UNIT STANDARDS AND SPECIAL DESIGN Office 919-250-4128 FAX 919-250-4119

SEE PLATE FOR TITLE

ORIGINAL BY: 2002 STD. 862.02 DATE: MODIFIED BY: E.E. WARD DATE: 02-09-03 CHECKED BY: J. S. HOWARD DATE: 10/21/04 FILE SPEC.: /usr/stds/02todetail/english/86202/862d02.dgn



9-OCT-2004 11:39 W:\Special Details\enr\cawar\d\stds\02\stds to Special Details/english\86202\0862d02.dgn