

**BILL OF MATERIAL FOR PARAPET AND END POSTS**

BAR	NO.	SIZE	TYPE	LENGTH	WEIGHT
*B3	32	#5	STR	21'-5"	715
*B4	16	#5	STR	53'-6"	893
*E1	8	#7	STR	2'-8"	44
*E2	8	#7	STR	3'-2"	52
*E3	8	#7	STR	3'-8"	60
*E4	8	#7	STR	4'-2"	68
*E5	8	#7	STR	4'-6"	74
*F1	8	#6	STR	1'-10"	22
*F2	8	#6	STR	3'-0"	36
*F3	8	#6	STR	3'-8"	44

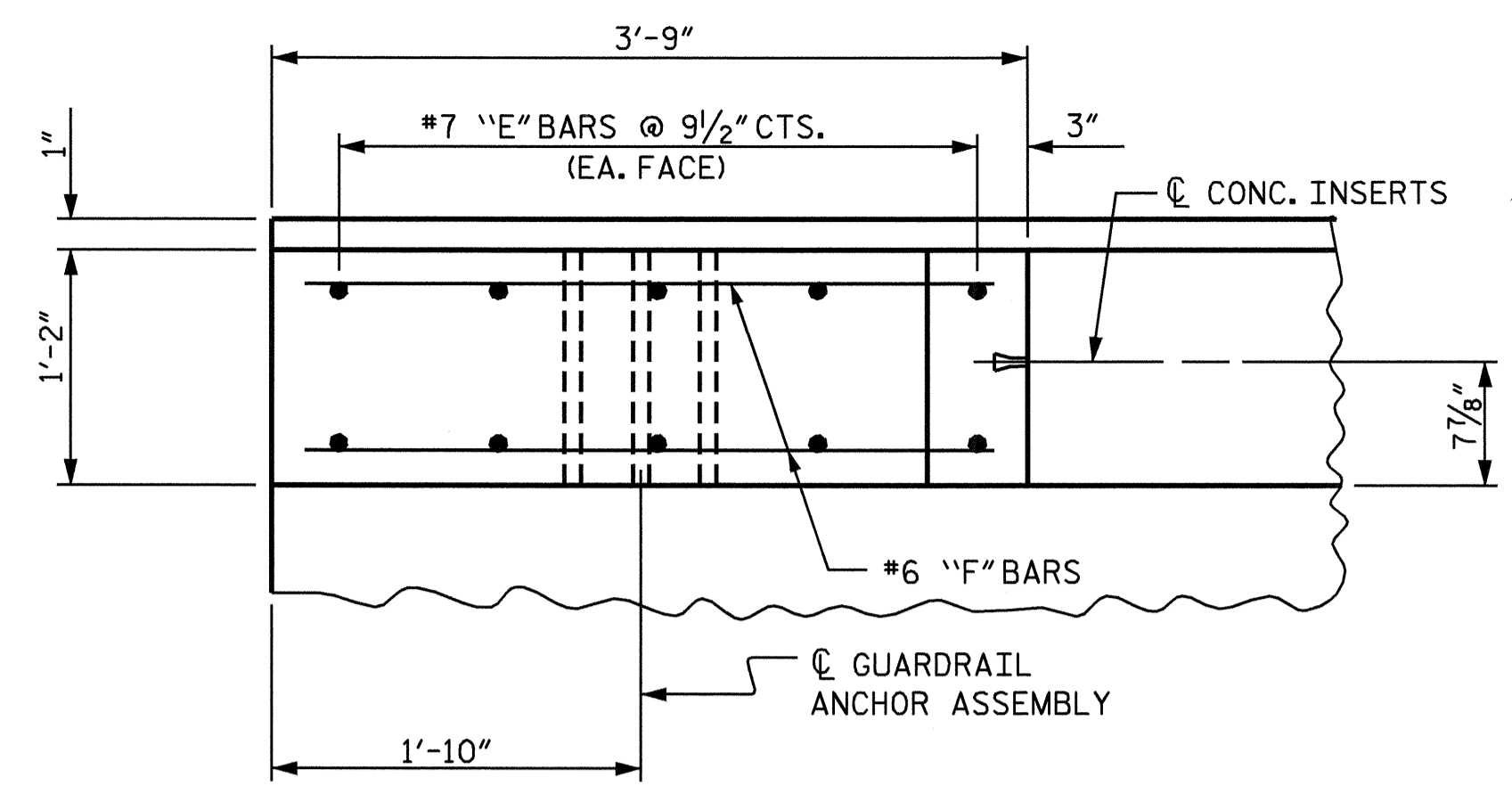
*EPOXY COATED REINFORCING STEEL	LBS	2008
CLASS "AA" CONCRETE	CU.YDS	24.8
1'-2" X 2'-10" CONCRETE PARAPET	LIN. FT.	195.5

**NOTES**

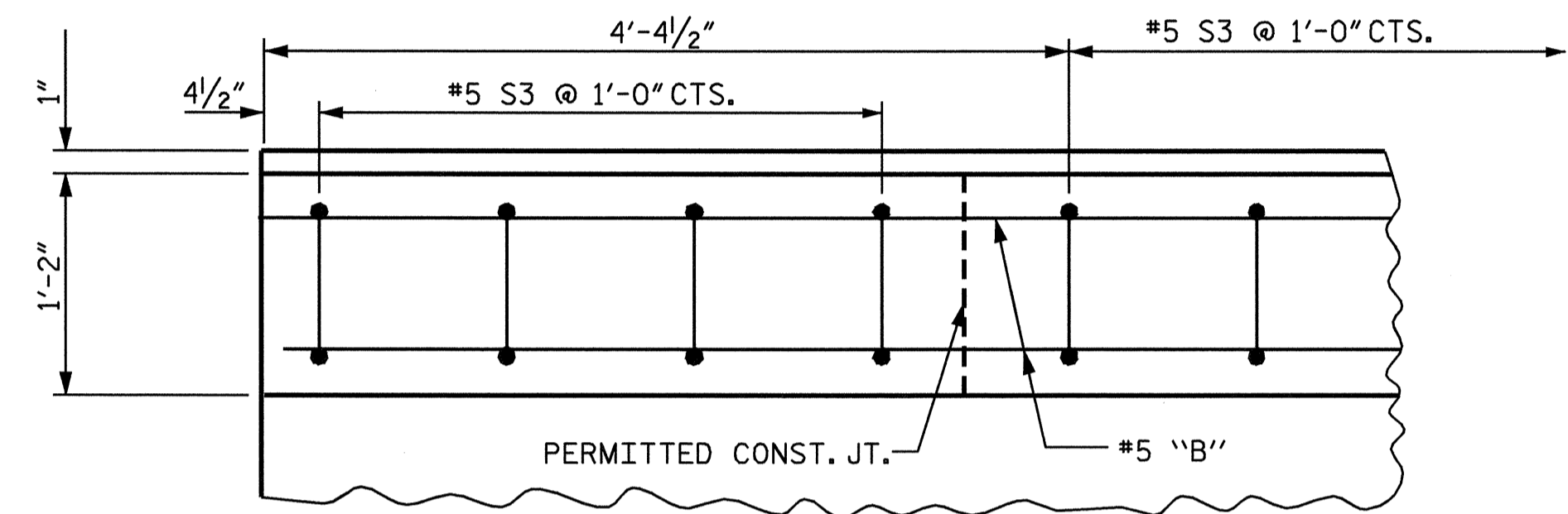
FOR DETAIL OF CONCRETE INSERT AND GUARDRAIL ANCHOR ASSEMBLY, SEE "RAIL POST SPACINGS AND END OF RAIL DETAIL" SHEETS.

ALL REINFORCING STEEL IN CONCRETE PARAPETS SHALL BE EPOXY COATED.

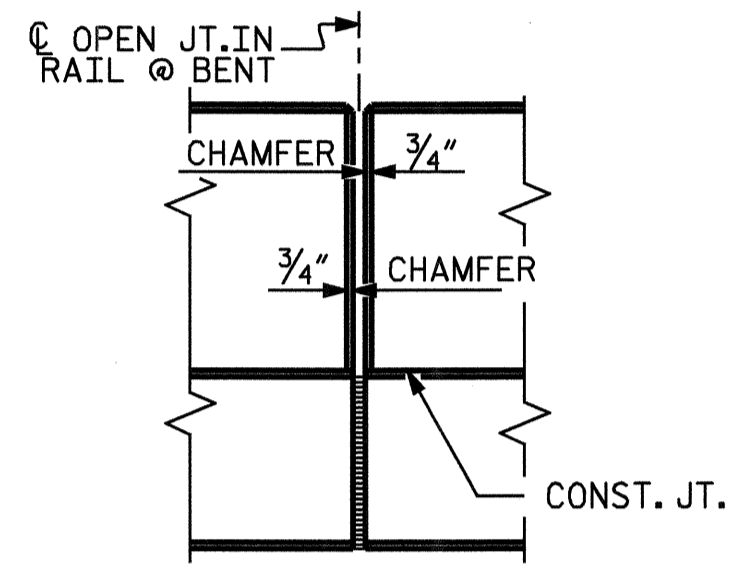
#5 "B" BARS IN PARAPET SHALL BE FIELD CUT WHEN NECESSARY TO AVOID BLOCKOUT.



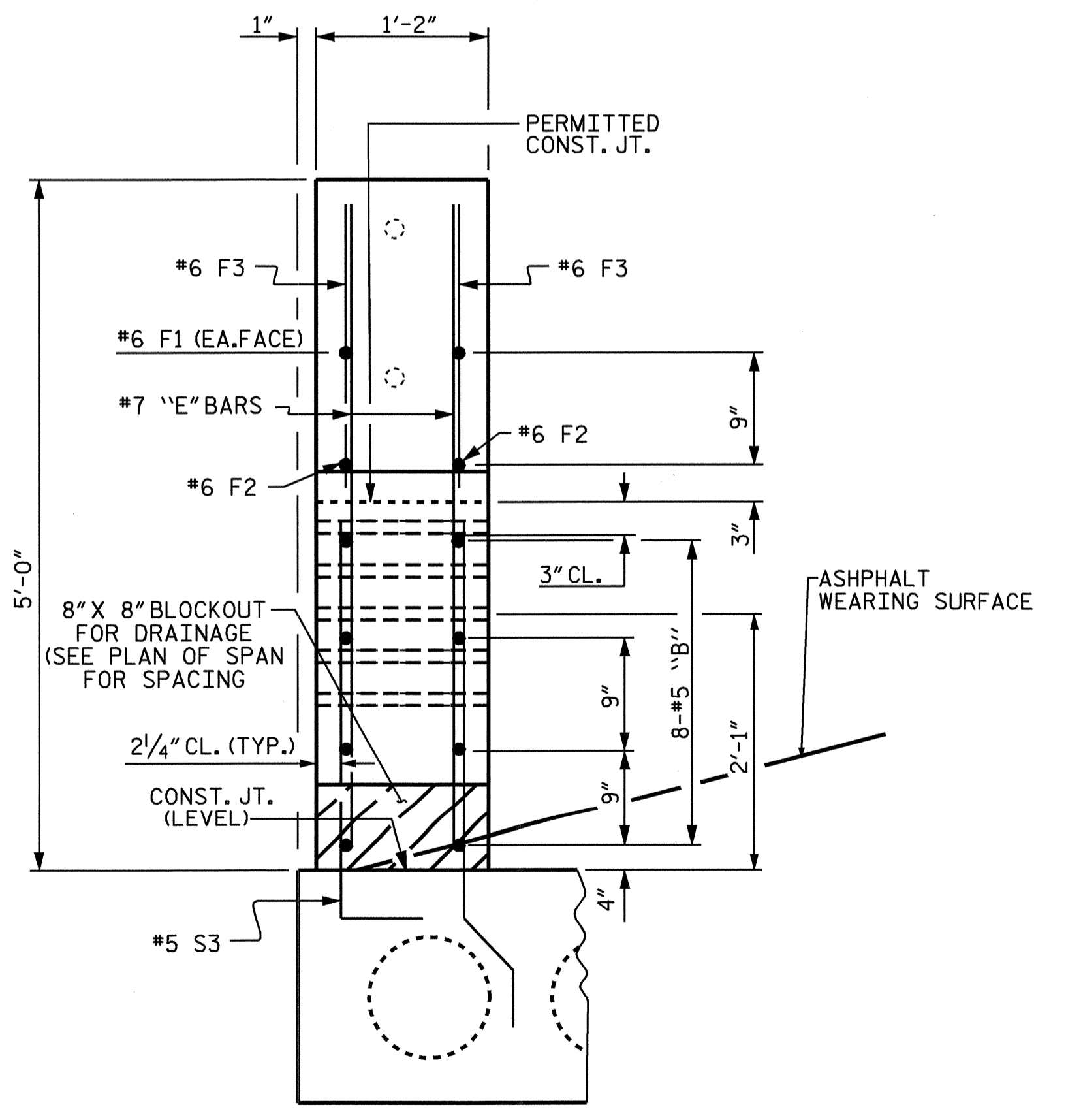
PLAN OF END POST



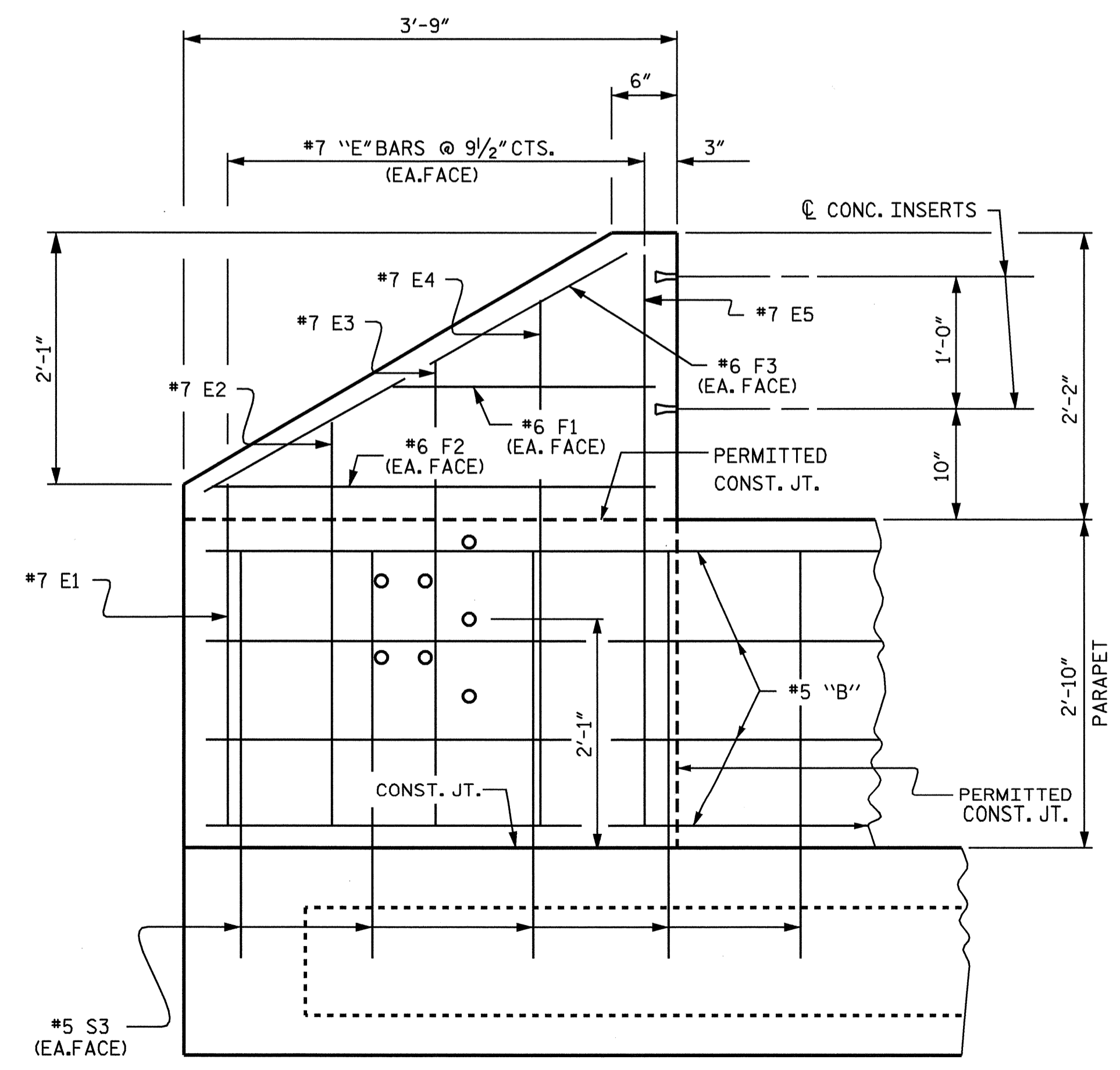
PLAN OF PARAPET



ELEVATION AT EXPANSION JOINTS  
PARAPET DETAILS



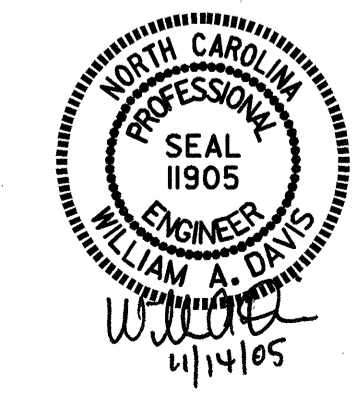
END VIEW



ELEVATION

**PARAPET AND END POST FOR TWO BAR RAIL**

ASSEMBLED BY : J. G. KHARVA DATE : 08/11/05  
CHECKED BY : BOB WRIGHT DATE : 08/17/05



PROJECT NO. B-4152  
HOKE                      COUNTY  
STATION: 14+70.00 -L-

STATE OF NORTH CAROLINA DEPARTMENT OF TRANSPORTATION RALEIGH					SHEET NO.
SUPERSTRUCTURE 1'-2" X 2'-10" CONCRETE PARAPET					S-II
REVISIONS					TOTAL SHEETS
NO.	BY:	DATE:	NO.	BY:	DATE:
1			3		
2			4		