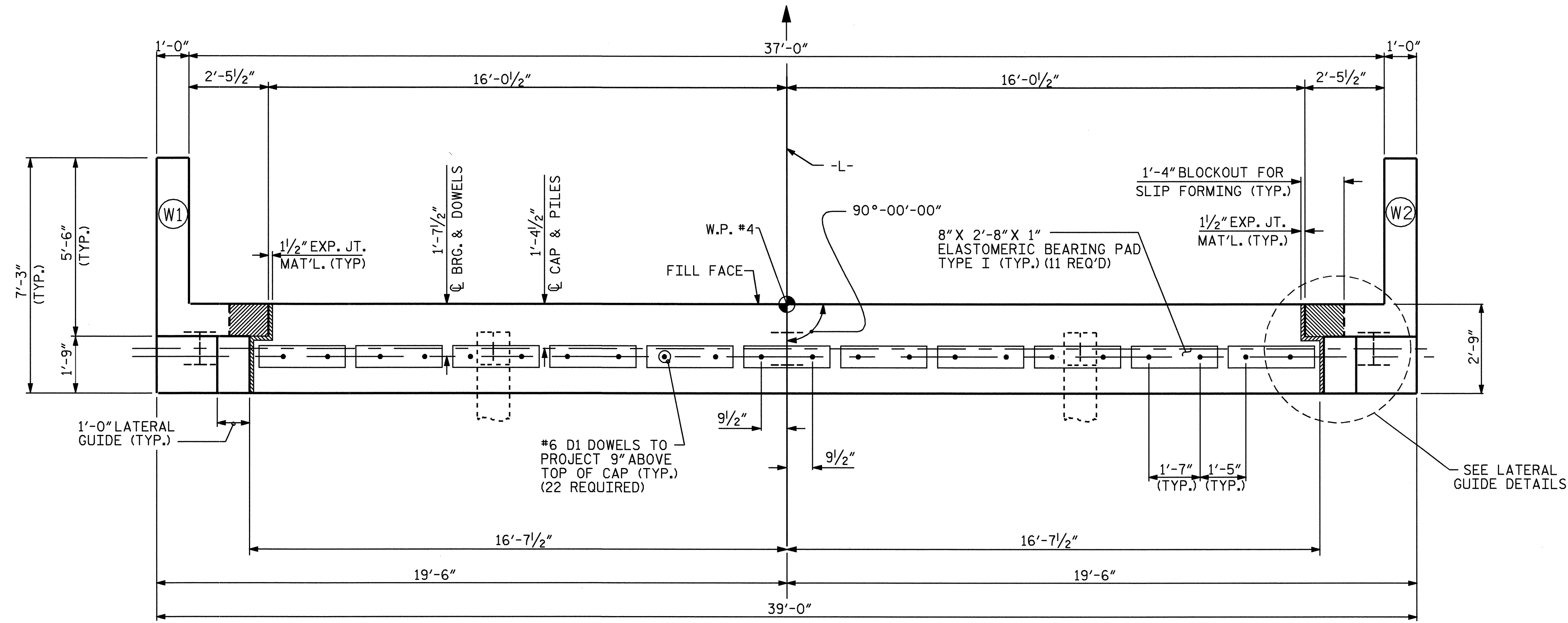


NOTES

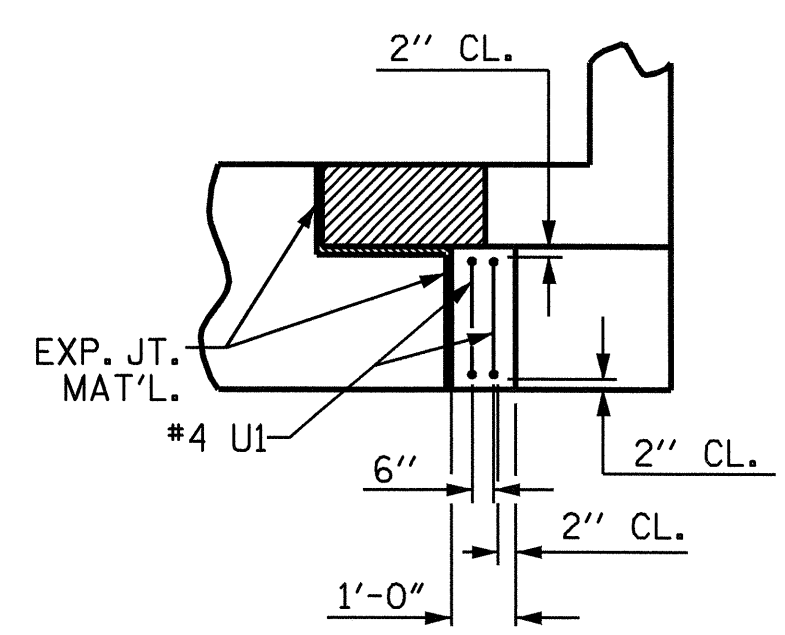
STIRRUPS IN CAP MAY BE SHIFTED AS NECESSARY TO CLEAR DOWELS.

THE LATERAL GUIDE AT EACH END OF CAP IS NOT TO BE POURED UNTIL AFTER CORED SLAB UNITS ARE IN PLACE.

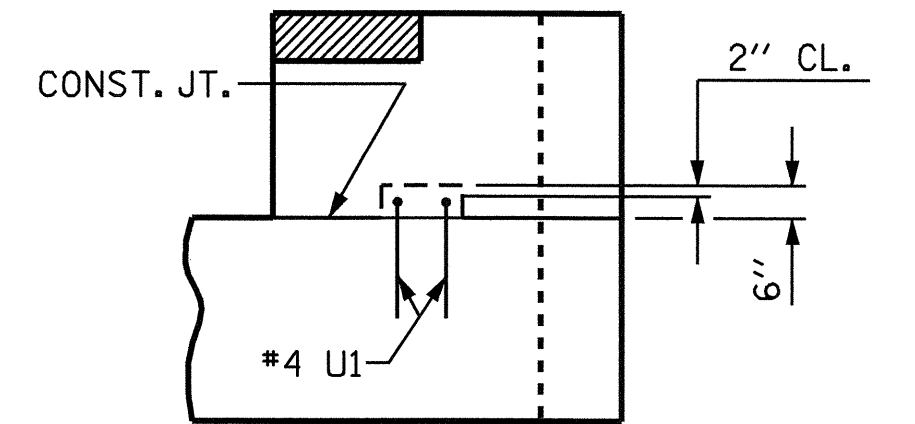
THE CONTRACTOR SHALL PROVIDE FOR INSTALLATION OF THE 4" DIAMETER DRAIN PIPE THROUGH THE WING WALL AS REQUIRED FOR REINFORCED BRIDGE APPROACH FILLS. SEE THE ROADWAY PLANS. REINFORCING STEEL IN THE WING WALL MAY BE SHIFTED AS NECESSARY TO CLEAR THE DRAIN PIPE.



PLAN



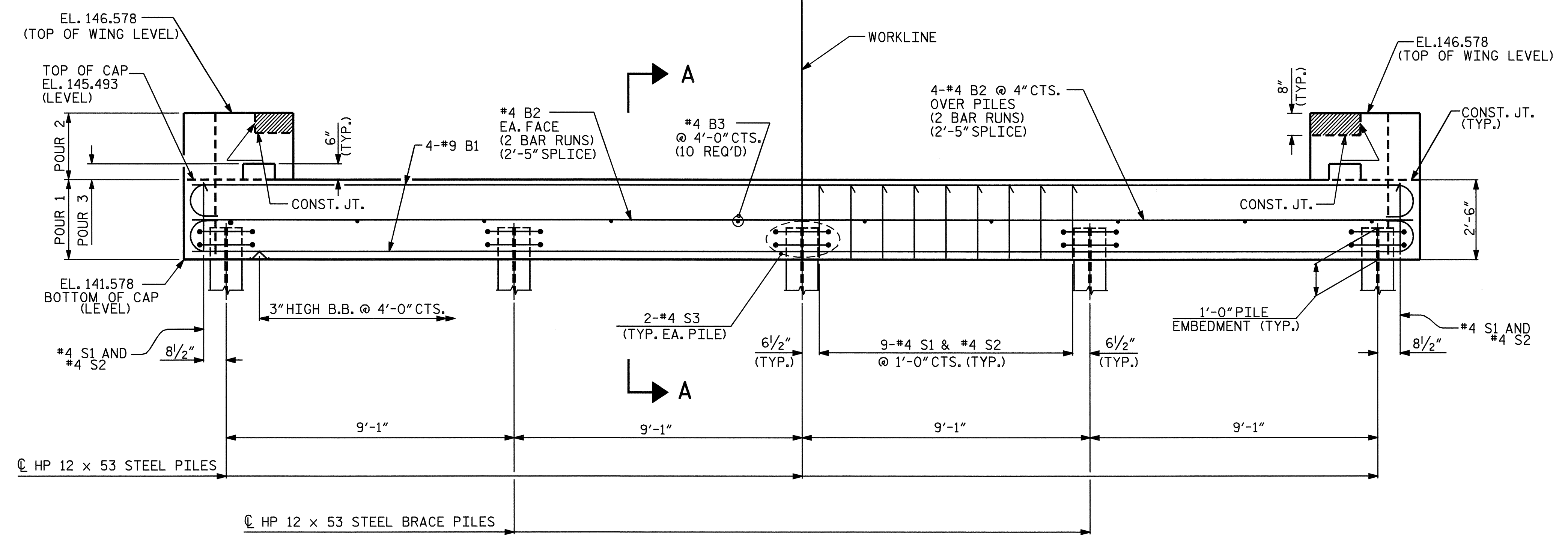
PLAN



ELEVATION

LATERAL GUIDE DETAILS

(EACH END SIMILAR)



ELEVATION

(WINGS NOT SHOWN IN PLAN VIEW)

PROJECT NO. B-4152
HOKE COUNTY
STATION: 14+70.00 -L-

SHEET 1 OF 3

STATE OF NORTH CAROLINA
DEPARTMENT OF TRANSPORTATION
RALEIGH

SUBSTRUCTURE
END BENT #2



REVISIONS					SHEET NO. S-21
NO.	BY:	DATE:	NO.	DATE:	
1			3		TOTAL SHEETS 26
2			4		

DRAWN BY : J. G. KHARVA DATE : 08/16/09
CHECKED BY : BOB WRIGHT DATE : 08/18/09