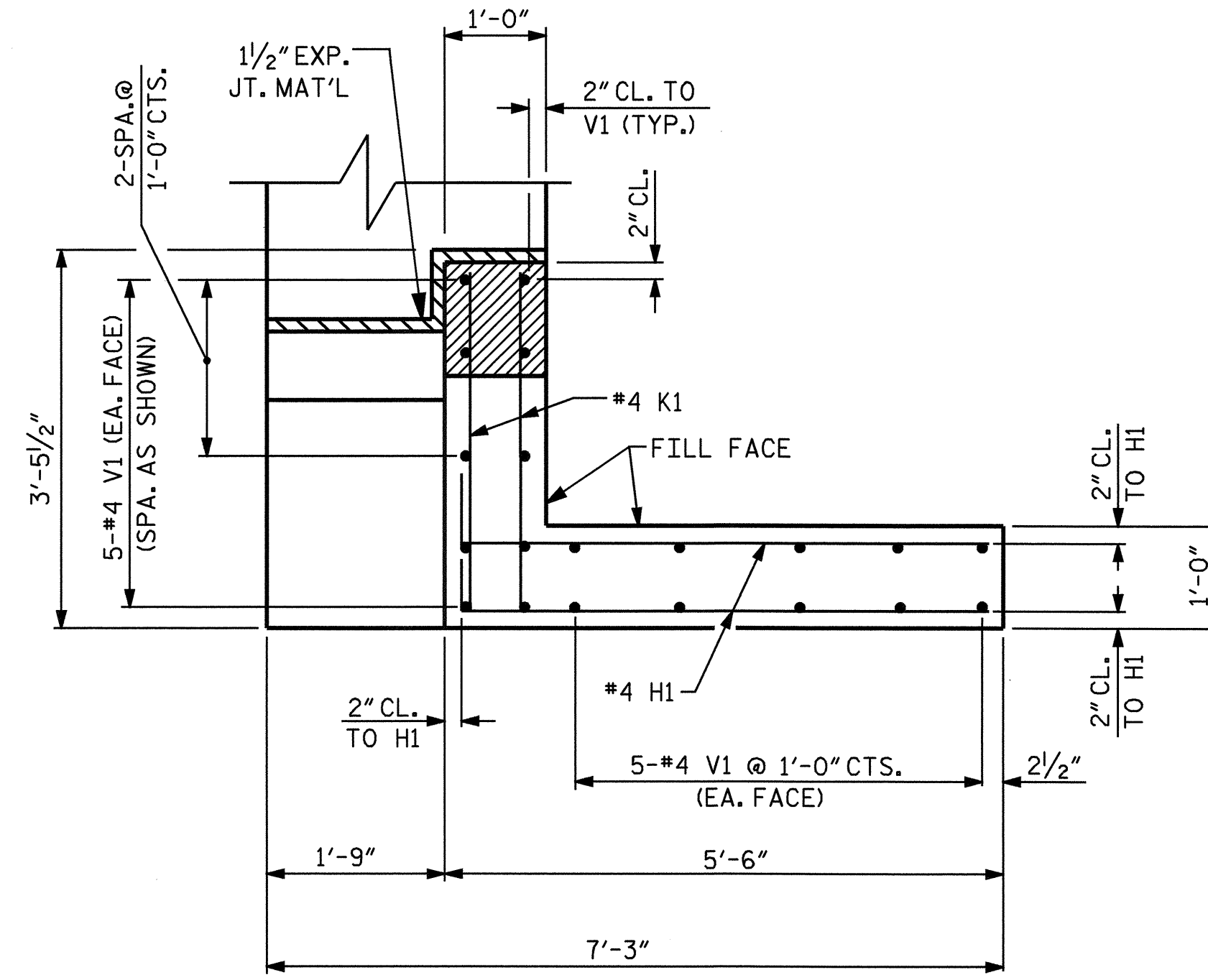
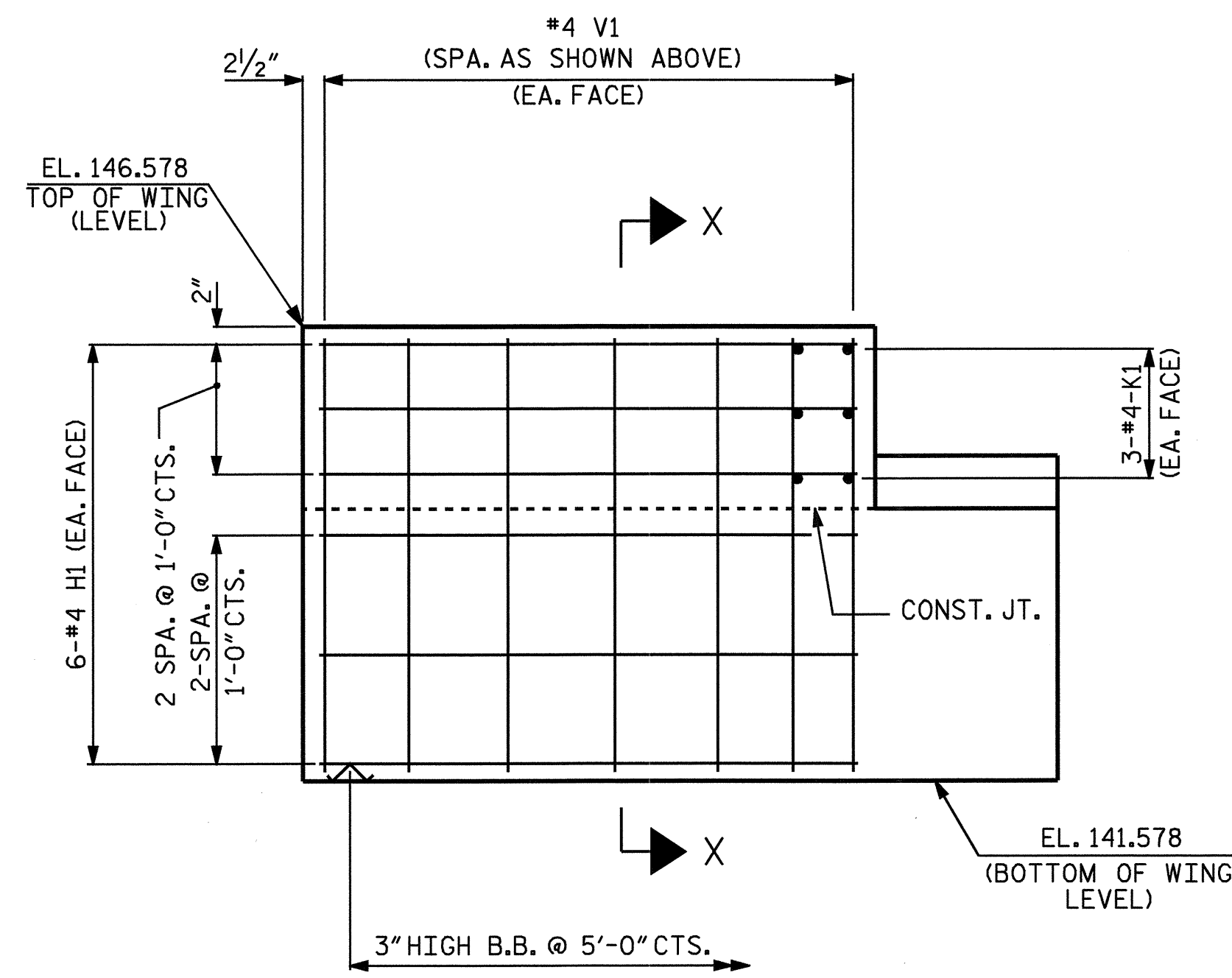


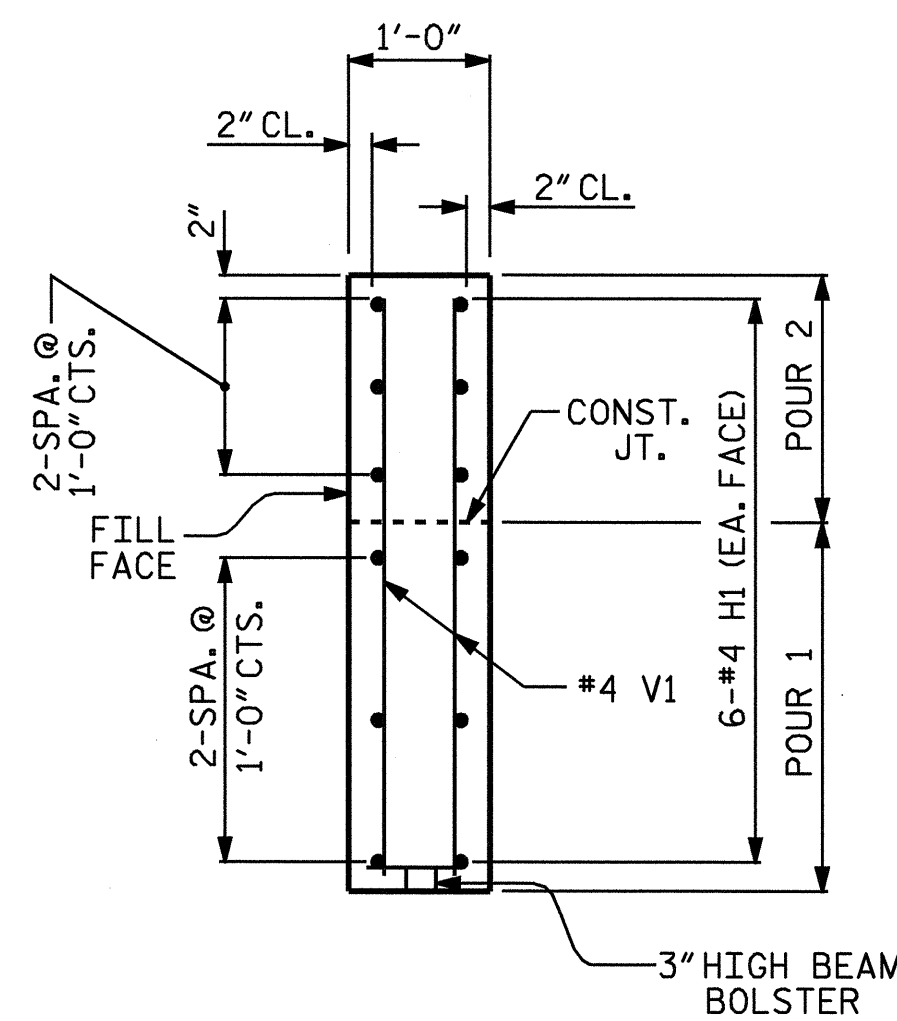
PLAN OF WING W2



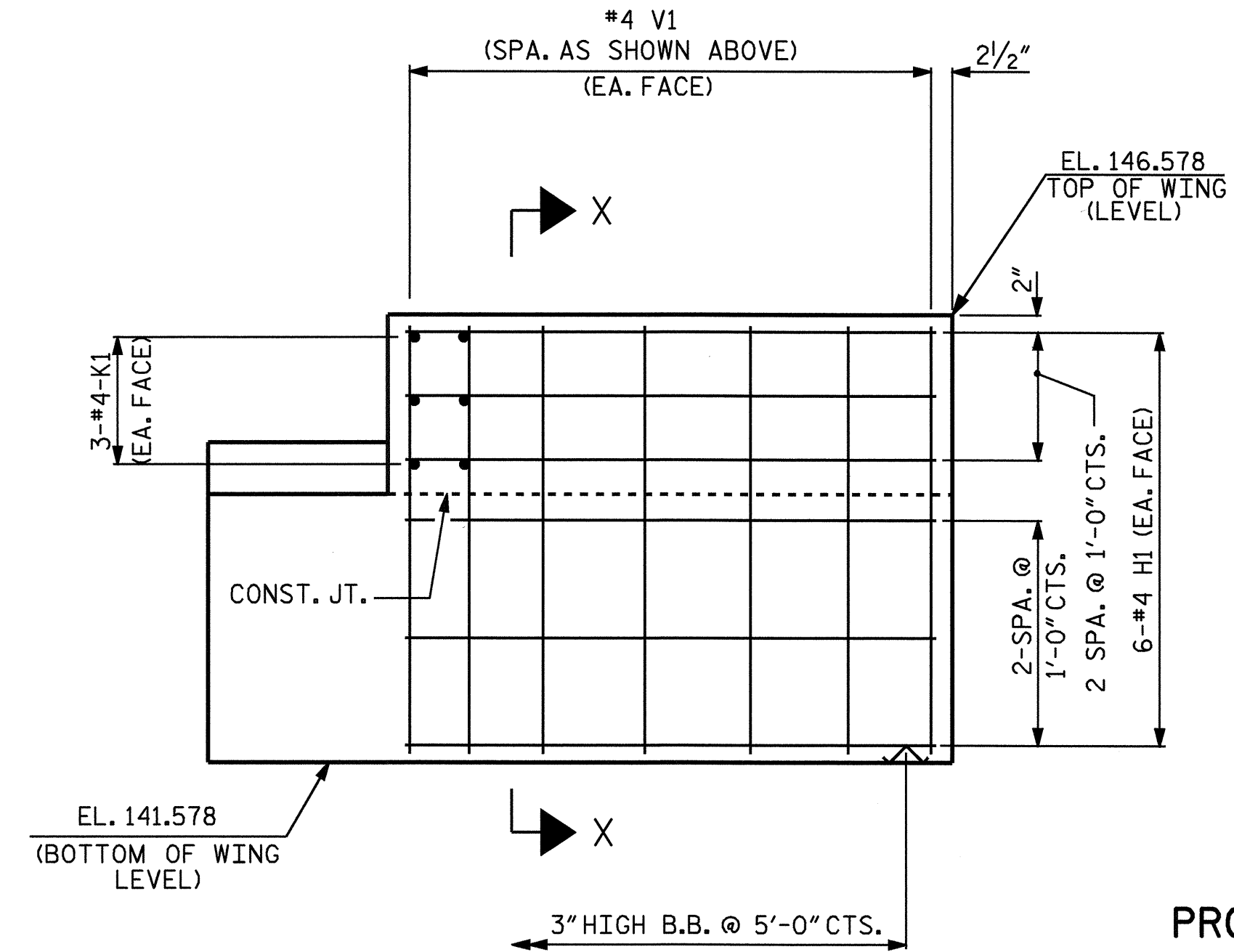
PLAN OF WING W1



ELEVATION OF WING W1



SECTION X-X



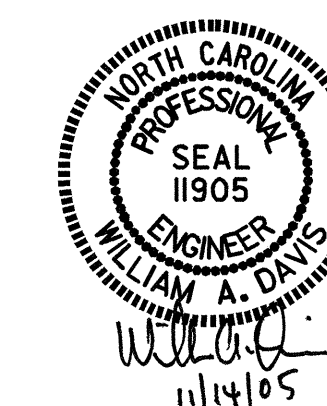
ELEVATION OF WING W2

PROJECT NO. B-4152  
HOKE COUNTY  
STATION: 14+70.00 -L-

SHEET 2 OF 3

STATE OF NORTH CAROLINA  
DEPARTMENT OF TRANSPORTATION  
RALEIGH

SUBSTRUCTURE  
END BENT #2



DRAWN BY : J. G. KHARVA DATE : 8/16/05  
CHECKED BY : BOB WRIGHT DATE : 8/18/05

REVISIONS						SHEET NO.
NO.	BY:	DATE:	NO.	BY:	DATE:	S-22
1			3			TOTAL SHEETS
2			4			26