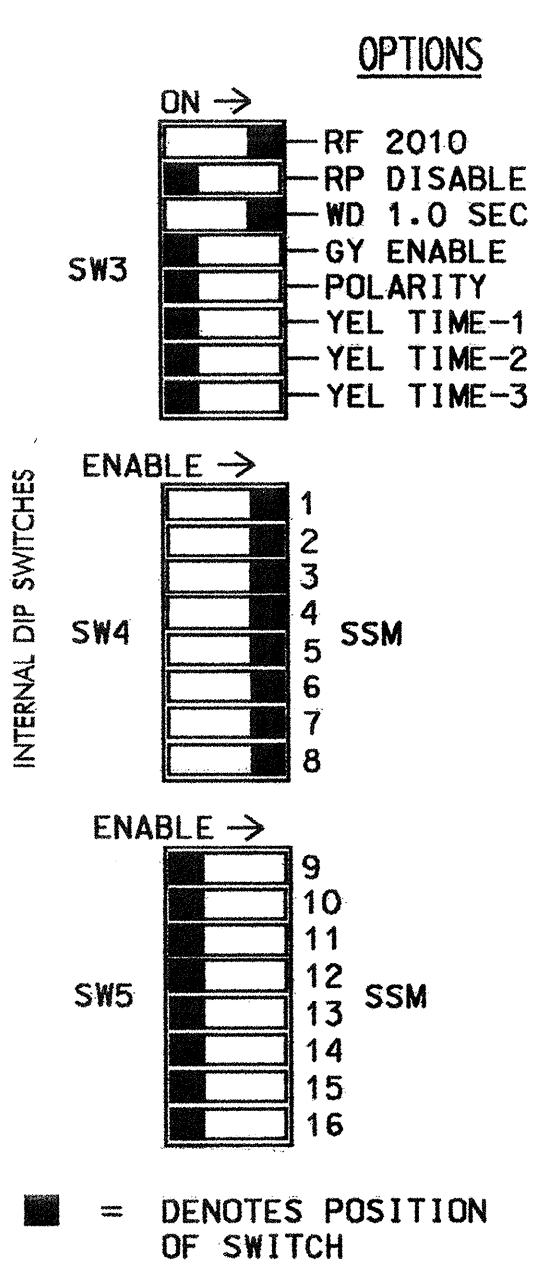
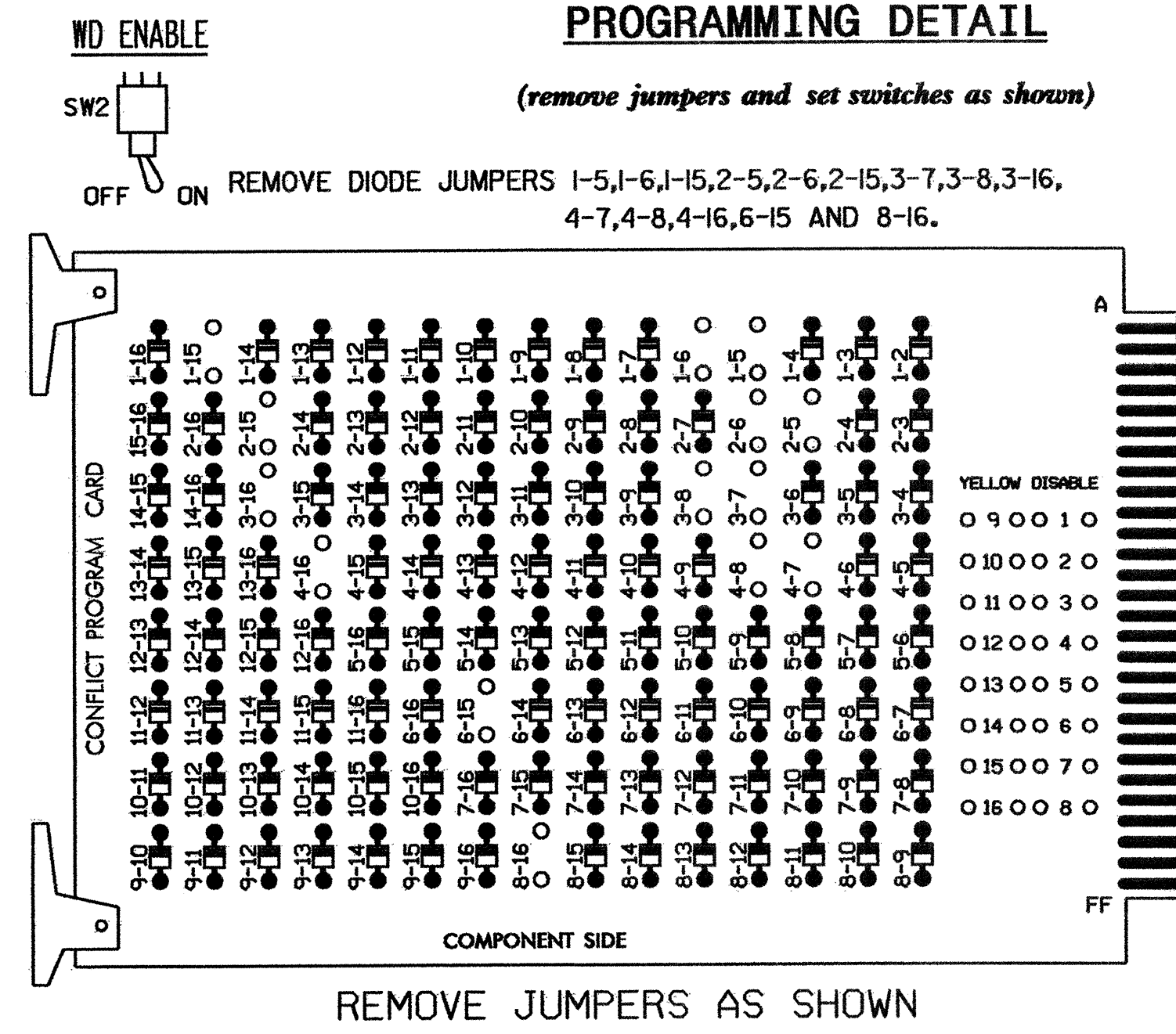


EDI MODEL 2010ECL CONFLICT MONITOR PROGRAMMING DETAIL



NOTES:

- CARD IS PROVIDED WITH ALL DIODE JUMPERS IN PLACE. REMOVAL OF ANY JUMPER ALLOWS ITS CHANNELS TO RUN CONCURRENTLY.
- MAKE SURE JUMPERS SEL1-SEL5 ARE PRESENT ON THE MONITOR BOARD.

NOTES

- TO PREVENT "FLASH-CONFLICT" PROBLEMS, INSERT RED FLASH PROGRAM BLOCKS FOR ALL UNUSED VEHICLE LOAD SWITCHES IN THE OUTPUT FILE. THE INSTALLER SHALL VERIFY THAT SIGNAL HEADS FLASH IN ACCORDANCE WITH THE SIGNAL PLANS.
- ENSURE THAT RED ENABLE IS ACTIVE AT ALL TIMES DURING NORMAL OPERATION. TO PREVENT RED FAILURES ON UNUSED MONITOR CHANNELS, TIE UNUSED RED MONITOR INPUTS 9,10, 11,12,13,14,15 & 16 TO LOAD SWITCH AC+ PER THE CABINET MANUFACTURER'S INSTRUCTIONS.
- PROGRAM CONTROLLER TO START UP IN PHASES 2 AND 6 GREEN.
- ENABLE SIMULTANEOUS GAP-OUT FEATURE, ON CONTROLLER UNIT, FOR ALL PHASES.
- PROGRAM PHASES 4 AND 8, ON CONTROLLER UNIT, FOR DUAL ENTRY.
- PROGRAM PHASES 2 AND 6, ON CONTROLLER UNIT, FOR VARIABLE INITIAL AND GAP REDUCTION.
- PROGRAM PHASES 6 AND 8 FOR 'STARTUP PED CALL'.
- THE CABINET AND CONTROLLER ARE PART OF THE GASTONIA CITY SIGNAL SYSTEM.

FIELD CONNECTION HOOK-UP CHART

LOAD SWITCH NO.	S1	S2	S2P	S3	S4	S4P	S5	S6	S6P	S7	S8	S8P
PHASE	1	2	2 PED	3	4	4 PED	5	6	6 PED	7	8	8 PED
SIGNAL HEAD NO.	11	21,22	NU	81	41,42	NU	42	51	61,62	41	81,82	P81, P82
GREEN		130			103				136			109
YELLOW		129			102				135			108
RED		128		*	101				134	*		107
RED ARROW	125								131			
YELLOW ARROW	126				117				132	132		123
GREEN ARROW	127				118				133	133		124
PEDESTRIAN												121
BIKE												119
												112
												110

NU = NOT USED
* DENOTES INSTALL LOAD RESISTOR. SEE LOAD RESISTOR INSTALLATION DETAIL THIS PAGE.

EQUIPMENT INFORMATION

CONTROLLER.....CONTRACTOR SUPPLIED 2070L
CABINET.....CONTRACTOR SUPPLIED 332
SOFTWARE.....ECONOLITE OASIS
CABINET MOUNT.....BASE
OUTPUT FILE POSITIONS...12
LOAD SWITCHES USED.....S1,S2,S3,S4,S5,S6,S6P,S7,S8,8SP
PHASES USED.....1,2,3,4,5,6,7,8,6 PED,8 PED
OVERLAPS.....NONE

BACK-UP PROTECTION PROGRAMMING DETAIL

(program controller as shown below)

- FROM MAIN MENU PRESS '2' (PHASE CONTROL), THEN '1' (PHASE CONTROL FUNCTIONS). SCROLL TO THE BOTTOM OF THE MENU AND ENABLE DYNAMIC/BACKUP CONTROL FUNCTIONS 1 AND 2.
- FROM PHASE CONTROL FUNCTIONS MENU PRESS '2' (DYNAMIC/BACKUP CONTROL FUNCTIONS).

DYNAMIC/BACKUP CONTROL FUNCTION #01
OVERLAPS: ABCDEFGHIJKLMNP
IF OVERLAPS ARE ACTIVE :
OR PHASES: 12345678910111213141516
IF PHASES ARE ON: X
OMIT PHASES: X
CALL PHASES: X

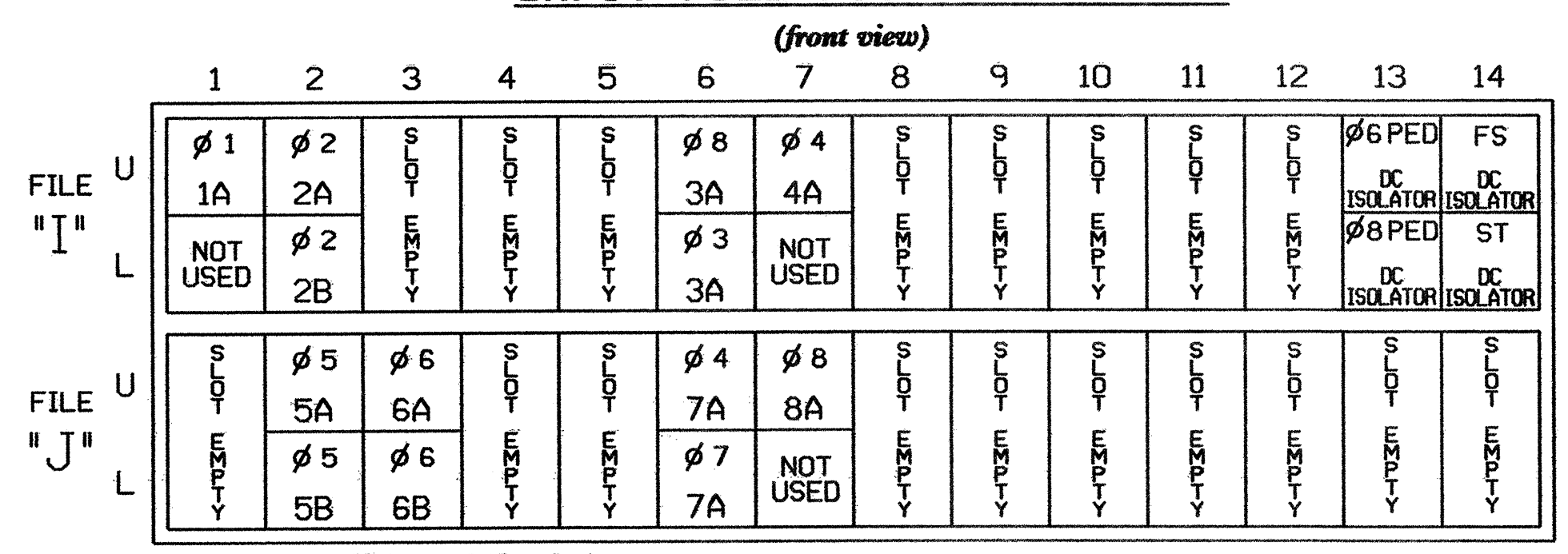
PRESS 'NEXT'

DYNAMIC/BACKUP CONTROL FUNCTION #02
OVERLAPS: ABCDEFGHIJKLMNP
IF OVERLAPS ARE ACTIVE :
OR PHASES: 12345678910111213141516
IF PHASES ARE ON: X
OMIT PHASES: X
CALL PHASES: X

BACKUP PROTECTION PROGRAMMING COMPLETE

THIS ELECTRICAL DETAIL IS FOR
THE SIGNAL DESIGN: 12-0029
DESIGNED: DECEMBER 2004
SEALED: 12-10-04
REVISED:

INPUT FILE POSITION LAYOUT

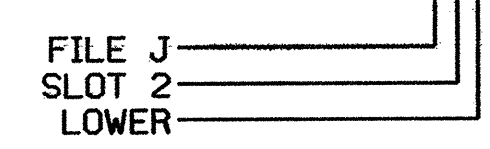


INPUT FILE CONNECTION & PROGRAMMING CHART

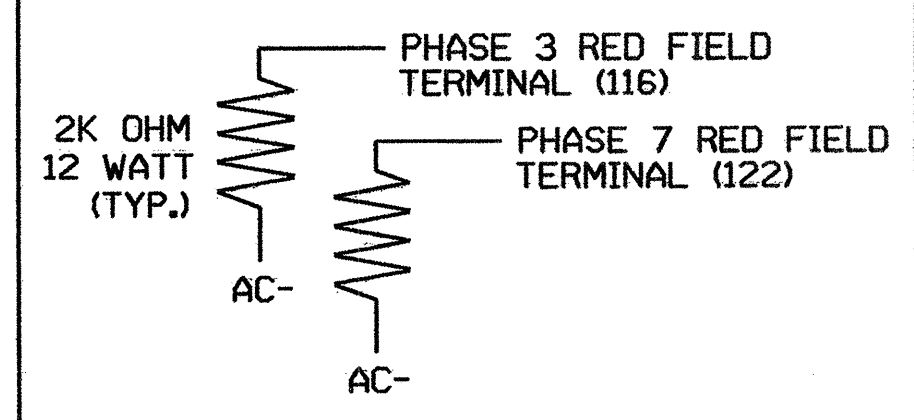
LOOP NO.	LOOP TERMINAL	INPUT FILE POS.	PIN NO.	INPUT ASSIGNMENT NO.	DETECTOR NO.	NEMA PHASE	CALL	EXTEND	FULL TIME DELAY	STRETCH TIME	DELAY TIME
1A	TB2-1,2	I1U	56	18	1	1	Y	Y			3
2A	TB2-5,6	I2U	39	1	2	2	Y	Y			
2B	TB2-7,8	I2L	43	5	12	2	Y	Y			
3A ¹	TB4-9,10	I6U	41	3	4	8	Y	Y			3
	TB4-11,12	I6L	45	7	14	3	Y	Y			15
4A	TB6-1,2	I7U	65	27	34	4	Y	Y			
5A	TB3-5,6	J2U	40	2	6	5	Y	Y			3
5B	TB3-7,8	J2L	44	6	16	5	Y	Y			15
6A	TB3-9,10	J3U	64	26	36	6	Y	Y			
6B	TB3-11,12	J3L	77	39	46	6	Y	Y			
7A ²	TB5-9,10	J6U	42	4	8	4	Y	Y			3
	TB5-11,12	J6L	46	8	18	7	Y	Y			15
8A	TB7-1,2	J7U	66	28	38	8	Y	Y			10
PED PUSH BUTTONS											
P61,P62	TB8-7,9	I13U	68	30	PED 6	6 PED					
P81,P82	TB8-8,9	I13L	70	32	PED 8	8 PED					

- ¹ADD JUMPERS FROM TB4-9 TO TB4-11, AND FROM TB4-10 TO TB4-12.
²ADD JUMPERS FROM TB5-9 TO TB5-11, AND FROM TB5-10 TO TB5-12.

INPUT FILE POSITION LEGEND: J2L



LOAD RESISTOR INSTALLATION DETAIL



NOTE: THE PURPOSE OF THESE RESISTORS IS TO LOAD THE CHANNEL RED MONITOR INPUTS IN ORDER FOR THE SIGNAL SEQUENCE MONITOR TO USE THE FULL SIGNAL SEQUENCE MONITORING CAPABILITY ON CHANNELS THAT DO NOT USE THE RED DISPLAY IN THE FIELD.

SIGNAL UPGRADE

ELECTRICAL AND PROGRAMMING DETAILS FOR:

Prepared in the Office of:
GASTONIA CITY ENGINEERING DEPARTMENT
122 N. McDowell St., Raleigh, NC 27603

US 29-74 (FRANKLIN BOULEVARD) AT SR 1136 (MYRTLE SCHOOL ROAD)

DIVISION 12 GASTON COUNTY GASTONIA

PLAN DATE: DECEMBER 2004 REVIEWED BY: [Signature]
PREPARED BY: JAMES PETERSON REVIEWED BY: [Signature]

REVISIONS: [Table with columns for REVISIONS, INITI., DATE]

SEAL: NORTH CAROLINA PROFESSIONAL ENGINEER SEAL 022013 GEORGE C. BROWN

DATE: 12/25/05

SIG. INVENTORY NO. 12-0029