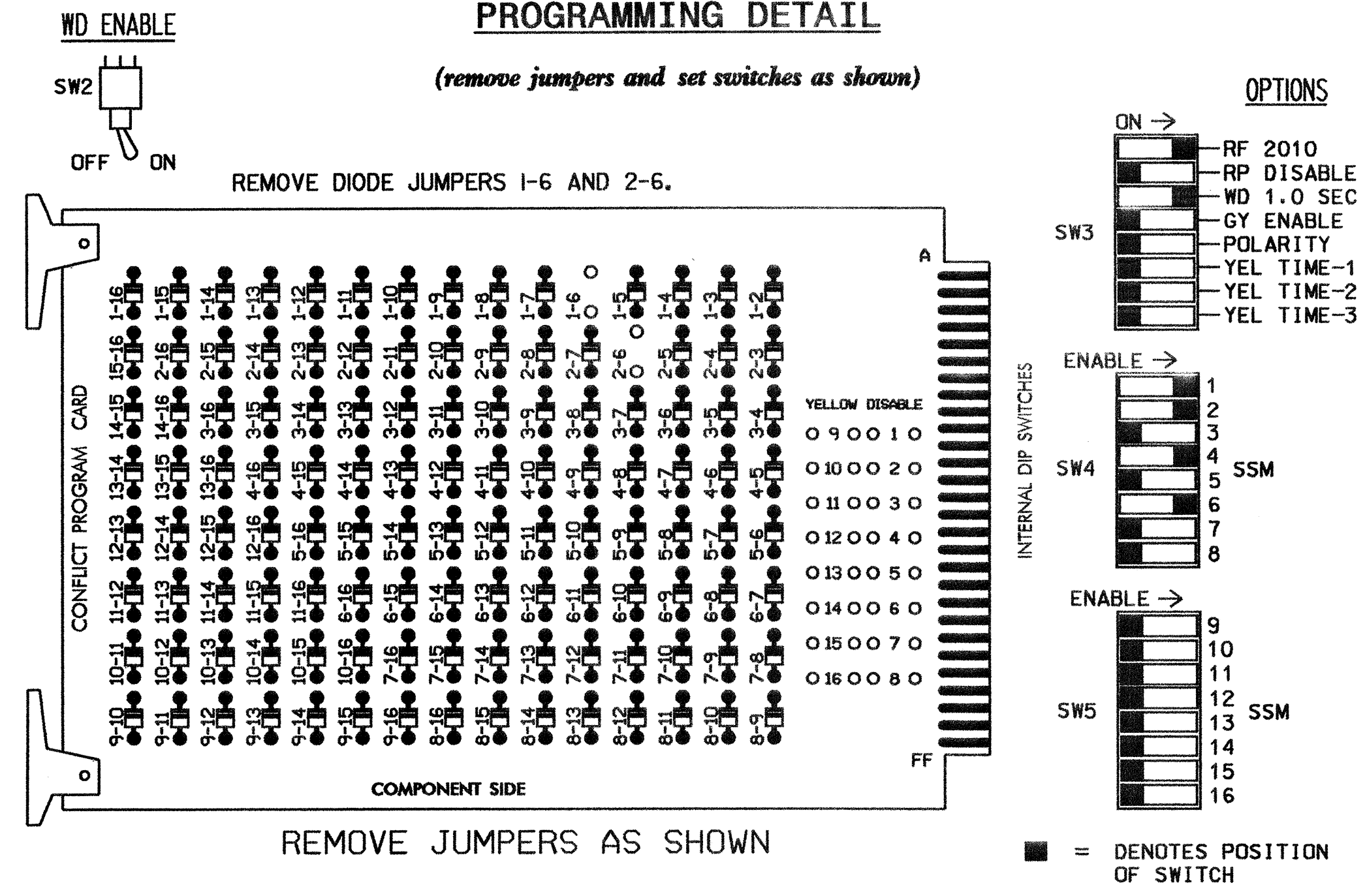


**EDI MODEL 2010ECL CONFLICT MONITOR PROGRAMMING DETAIL**



- REMOVE JUMPERS AS SHOWN
- NOTES:
- CARD IS PROVIDED WITH ALL DIODE JUMPERS IN PLACE. REMOVAL OF ANY JUMPER ALLOWS ITS CHANNELS TO RUN CONCURRENTLY.
  - MAKE SURE JUMPERS SEL1-SEL5 ARE PRESENT ON THE MONITOR BOARD.

**NOTES**

- TO PREVENT "FLASH-CONFLICT" PROBLEMS, INSERT RED FLASH PROGRAM BLOCKS FOR ALL UNUSED VEHICLE LOAD SWITCHES IN THE OUTPUT FILE. THE INSTALLER SHALL VERIFY THAT SIGNAL HEADS FLASH IN ACCORDANCE WITH THE SIGNAL PLANS.
- ENSURE THAT RED ENABLE IS ACTIVE AT ALL TIMES DURING NORMAL OPERATION. TO PREVENT RED FAILURES ON UNUSED MONITOR CHANNELS, TIE UNUSED RED MONITOR INPUTS 3,5,7, 8,9,10,11,12,13,14,15 & 16 TO LOAD SWITCH AC+ PER THE CABINET MANUFACTURER'S INSTRUCTIONS.
- PROGRAM CONTROLLER TO START UP IN PHASES 2 AND 6 GREEN.
- ENABLE SIMULTANEOUS GAP-OUT FEATURE, ON CONTROLLER UNIT, FOR ALL PHASES.
- THE CABINET AND CONTROLLER ARE PART OF THE GASTONIA CITY SYSTEM.

**EQUIPMENT INFORMATION**

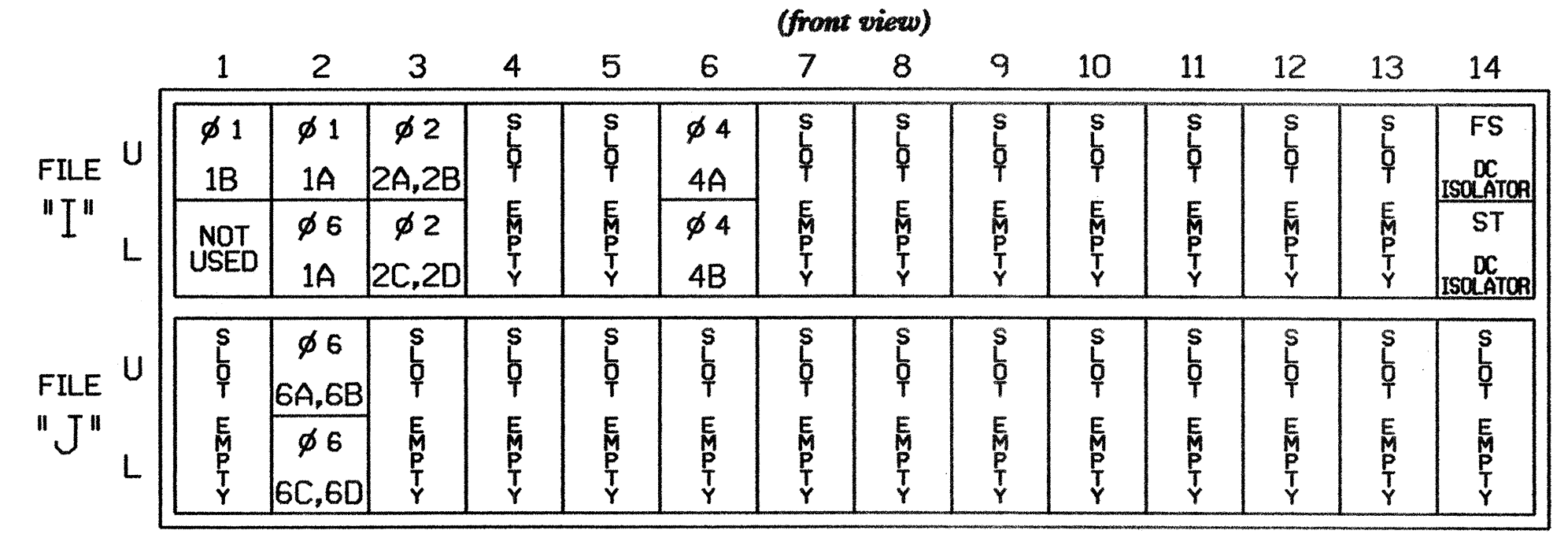
CONTROLLER.....CONTRACTOR SUPPLIED 2070L CABINET.....CONTRACTOR SUPPLIED 332 SOFTWARE.....ECONOLITE OASIS CABINET MOUNT.....BASE OUTPUT FILE POSITIONS...12 LOAD SWITCHES USED.....S1,S2,S4,S6 PHASES USED.....1,2,4,6 OVERLAPS.....NONE

**FIELD CONNECTION HOOK-UP CHART**

LOAD SWITCH NO.	S1	S2	S2P	S3	S4	S4P	S5	S6	S6P	S7	S8	S8P
PHASE	1	2	2 PED	3	4	4 PED	5	6	6 PED	7	8	8 PED
SIGNAL HEAD NO.	42,61	21,22	NU	NU	22	41,42	NU	NU	61,62	NU	NU	NU
GREEN		130			103			136				
YELLOW		129			102			135				
RED	*	128			101			134				
RED ARROW												
YELLOW ARROW	126				102							
GREEN ARROW	127				103							

NU = NOT USED  
\* DENOTES INSTALL LOAD RESISTOR. SEE LOAD RESISTOR INSTALLATION DETAIL THIS PAGE.

**INPUT FILE POSITION LAYOUT**



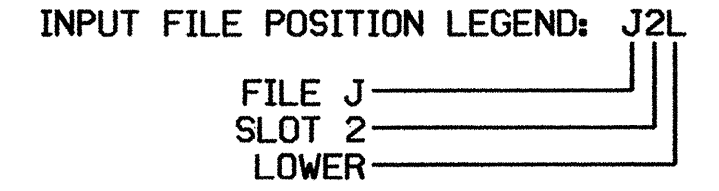
EX.: 1A, 2A, ETC. = LOOP NO.'S

FS = FLASH SENSE  
ST = STOP TIME

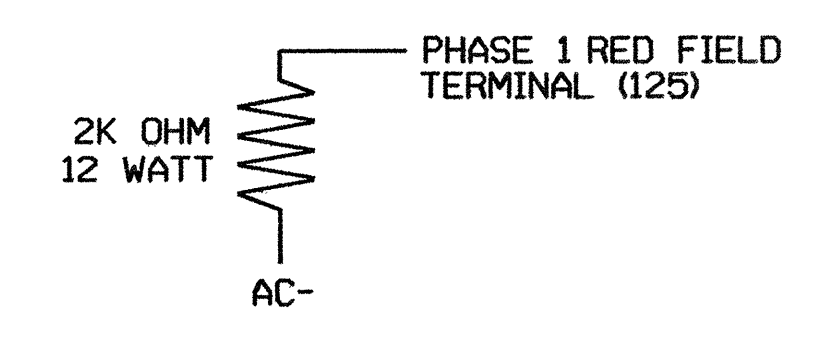
**INPUT FILE CONNECTION & PROGRAMMING CHART**

LOOP NO.	LOOP TERMINAL	INPUT FILE POS.	PIN NO.	INPUT ASSIGNMENT NO.	DETECTOR NO.	NEMA PHASE	CALL	EXTEND	FULL TIME DELAY	STRETCH TIME	DELAY TIME
1B	TB2-1,2	I1U	56	18	1	1	Y	Y			15
1A <sup>1</sup>	TB2-5,6	I2U	39	1	2	1	Y	Y			15
	TB2-7,8	I2L	43	5	12	6	Y	Y			
2A,2B	TB2-9,10	I3U	63	25	32	2	Y	Y		1.8	
2C,2D	TB2-11,12	I3L	76	38	42	2	Y	Y			
4A	TB4-9,10	I6U	41	3	4	4	Y	Y			3
4B	TB4-11,12	I6L	45	7	14	4	Y	Y			
6A,6B	TB3-5,6	J2U	40	2	6	6	Y	Y		1.8	
6C,6D	TB3-7,8	J2L	44	6	16	6	Y	Y			

<sup>1</sup> ADD JUMPERS FROM TB2-5 TO TB2-7, AND FROM TB2-6 TO TB2-8.



**LOAD RESISTOR INSTALLATION DETAIL**



NOTE: THE PURPOSE OF THIS RESISTOR IS TO LOAD THE CHANNEL RED MONITOR INPUT IN ORDER FOR THE SIGNAL SEQUENCE MONITOR TO USE THE FULL SIGNAL SEQUENCE MONITORING CAPABILITY ON CHANNELS THAT DO NOT USE THE RED DISPLAY IN THE FIELD.

THIS ELECTRICAL DETAIL IS FOR THE SIGNAL DESIGN: 12-0154  
DESIGNED: DECEMBER 2004  
SEALED: 01/10/05  
REVISED:

**SIGNAL UPGRADE**

ELECTRICAL AND PROGRAMMING DETAILS FOR:

Prepared in the Office of:

222 N. McDowell St., Raleigh, NC 27603

NC 279 (NEW HOPE RD.) AT SR 2457 (ROBINWOOD RD.)

DIVISION 12 GASTON COUNTY GASTONIA

PLAN DATE: DECEMBER 2004 REVIEWED BY: T. J. J.

PREPARED BY: JAMES PETERSON REVIEWED BY:

REVISIONS	INIT.	DATE

SEAL

George C. Brown 1/10/05

SIG. INVENTORY NO. 12-0154

12-0154-005 11/10  
12-0154-005 11/10  
J. Peterson