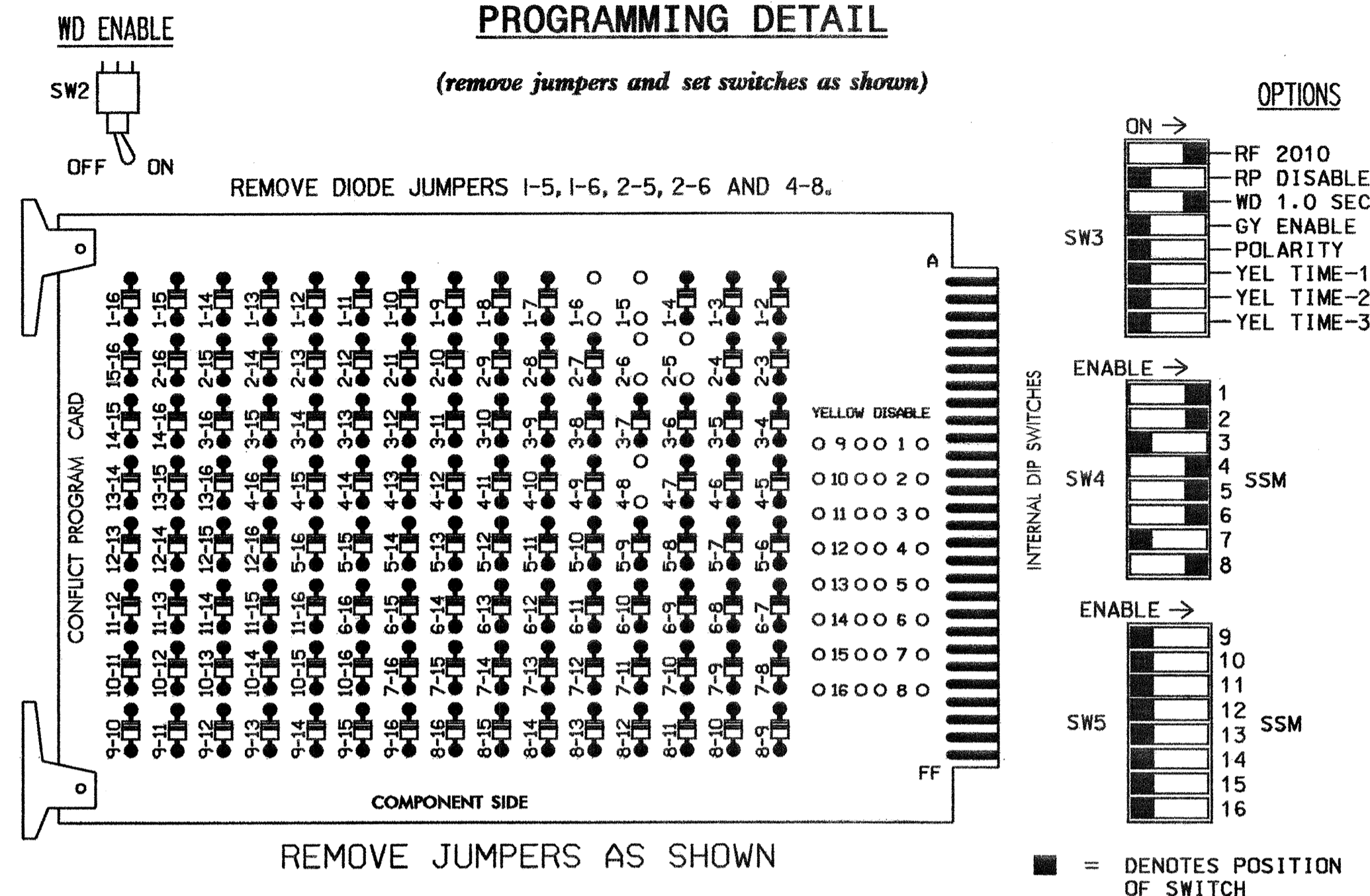


**EDI MODEL 2010ECL CONFLICT MONITOR**

**PROGRAMMING DETAIL**

(remove jumpers and set switches as shown)



**NOTES:**

- Card is provided with all diode jumpers in place. Removal of any jumper allows its channels to run concurrently.
- Make sure jumpers SEL1-SEL5 are present on the monitor board.

**NOTES**

- To prevent "flash-conflict" problems, insert red flash program blocks for all unused vehicle load switches in the output file. The installer shall verify that signal heads flash in accordance with the Signal Plans.
- Ensure that Red Enable is active at all times during normal operation. To prevent Red Failures on unused monitor channels, tie unused red monitor inputs 3,7,9,10,11,12,13,14,15 & 16 to load switch AC+ per the cabinet manufacturer's instructions.
- Program controller to start up in phases 2 and 6 green.
- Enable Simultaneous Gap-Out, on the controller unit, for all phases.
- Program phases 4 and 8, on the controller unit, for Dual Entry.
- Program phases 2 and 6, on the controller unit, for Variable Initial and Gap Reduction.
- The cabinet and controller are part of the Gastonia City System.

**EQUIPMENT INFORMATION**

CONTROLLER.....CONTRACTOR SUPPLIED 2070L  
 CABINET.....CONTRACTOR SUPPLIED 332  
 SOFTWARE.....ECONOLITE OASIS  
 CABINET MOUNT.....BASE  
 OUTPUT FILE POSITIONS...12  
 LOAD SWITCHES USED.....S1,S2,S4,S5,S6,S8  
 PHASES USED.....1,2,4,5,6,8  
 OVERLAPS.....NONE

**FIELD CONNECTION HOOK-UP CHART**

LOAD SWITCH NO.	S1	S2	S2P	S3	S4	S4P	S5	S6	S6P	S7	S8	S8P
PHASE	1	2	2 PED	3	4	4 PED	5	6	6 PED	7	8	8 PED
SIGNAL HEAD NO.	61	21, 22, 23	NU	NU	41, 42	NU	21	61, 62, 63	NU	NU	81, 82	NU
GREEN		130			103			136			109	
YELLOW		129			102			135			108	
RED	*	128			101		*	134			107	
RED ARROW												
YELLOW ARROW	126							132				
GREEN ARROW	127							133				

NU = Not Used  
 \* Denotes install load resistor. See load resistor installation detail this sheet.

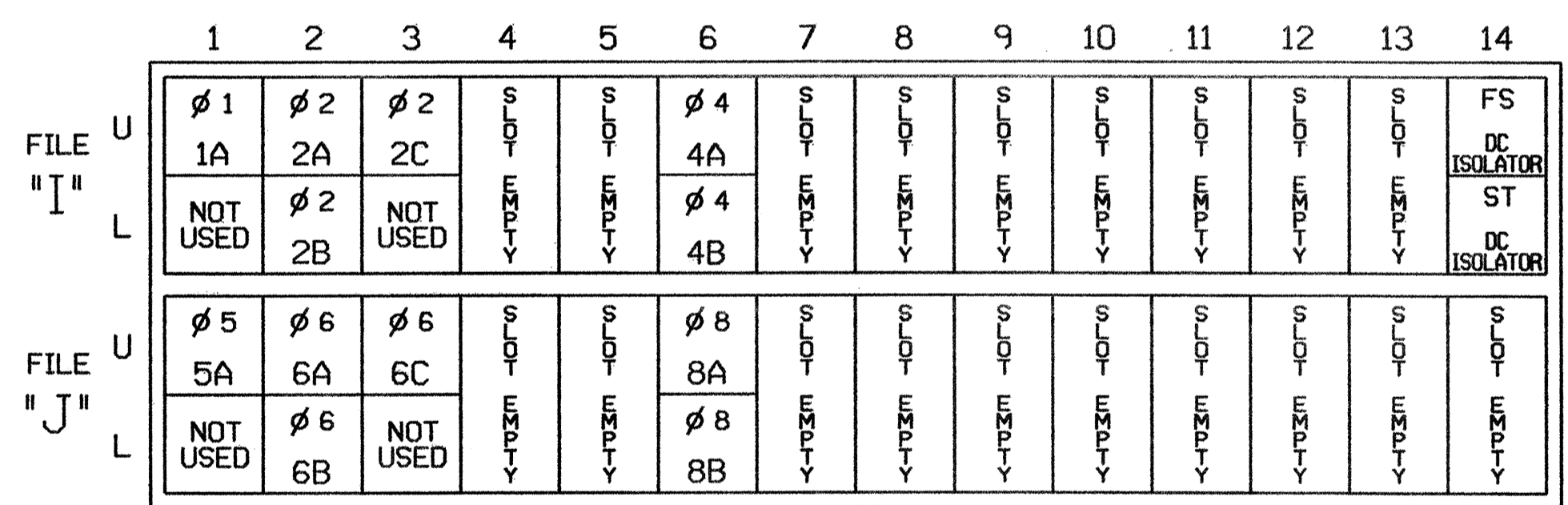
**DYNAMIC BACK-UP CONTROL PROGRAMMING**

(program controller as shown below)

- From Main Menu press '2' (Phase Control), then '1' (Phase Control Functions). Scroll to the bottom of the menu and enable Dynamic/Backup Control Functions 1 and 2.
- From Phase Control Functions Menu press '2' (Dynamic/Backup Control Functions).

**INPUT FILE POSITION LAYOUT**

(front view)

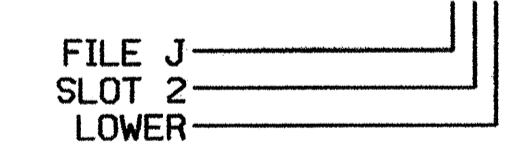


EX.: 1A, 2A, ETC. = LOOP NO.'S  
 FS = FLASH SENSE  
 ST = STOP TIME

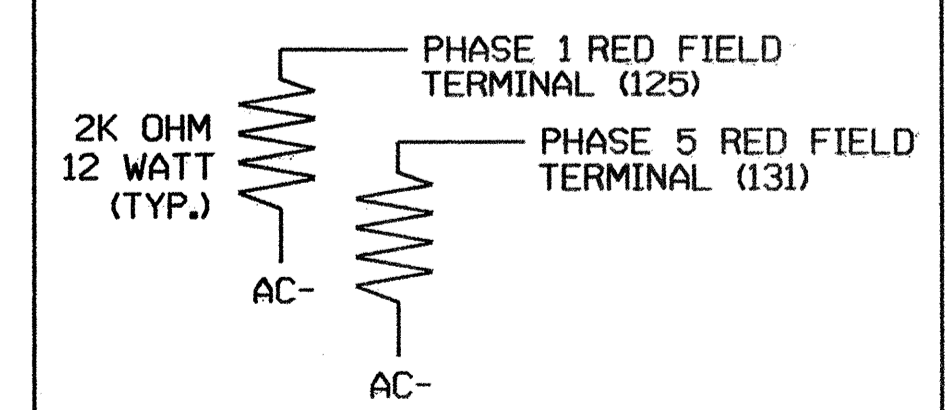
**INPUT FILE CONNECTION & PROGRAMMING CHART**

LOOP NO.	LOOP TERMINAL	INPUT FILE POS.	PIN NO.	INPUT ASSIGNMENT NO.	DETECTOR NO.	NEMA PHASE	CALL	EXTEND	FULL TIME DELAY	STRETCH TIME	DELAY TIME
1A	TB2-1,2	I1U	56	18	1	1	Y	Y			15
2A	TB2-5,6	I2U	39	1	2	2	Y	Y			
2B	TB2-7,8	I2L	43	5	12	2	Y	Y			
2C	TB2-9,10	I3U	63	25	32	2	Y	Y			
4A	TB4-9,10	I6U	41	3	4	4	Y	Y			3
4B	TB4-11,12	I6L	45	7	14	4	Y	Y			15
5A	TB3-1,2	J1U	55	17	5	5	Y	Y			15
6A	TB3-5,6	J2U	40	2	6	6	Y	Y			
6B	TB3-7,8	J2L	44	6	16	6	Y	Y			
6C	TB3-9,10	J3U	64	26	36	6	Y	Y			
8A	TB5-9,10	J6U	42	4	8	8	Y	Y			3
8B	TB5-11,12	J6L	46	8	18	8	Y	Y			20

**INPUT FILE POSITION LEGEND:**



**LOAD RESISTOR INSTALLATION DETAIL**



NOTE: The purpose of these resistors is to load the channel red monitor inputs in order for the Signal Sequence Monitor to use the full signal sequence monitoring capability on channels that do not use the red display in the field.

DYNAMIC/BACKUP CONTROL FUNCTION #01  
 OVERLAPS: ABCDEFGHIJKLMNPO  
 IF OVERLAPS ARE ACTIVE :  
 OR PHASES: 12345678910111213141516  
 IF PHASES ARE ON: X  
 OMIT PHASES : X  
 CALL PHASES : X

PRESS 'NEXT'

DYNAMIC/BACKUP CONTROL FUNCTION #02  
 OVERLAPS: ABCDEFGHIJKLMNPO  
 IF OVERLAPS ARE ACTIVE :  
 OR PHASES: 12345678910111213141516  
 IF PHASES ARE ON: X  
 OMIT PHASES : X  
 CALL PHASES : X

BACKUP PROTECTION PROGRAMMING COMPLETE

THIS ELECTRICAL DETAIL IS FOR THE SIGNAL DESIGN: 12-1348  
 DESIGNED: February 2005  
 SEALED: 2/28/05  
 REVISED:

**Signal Upgrade**

ELECTRICAL AND PROGRAMMING DETAILS FOR: **US 29-74 (Wilkinson Boulevard) at SR 2481 (Westover Road)**

Division 12 Gaston County Gastonia

PLAN DATE: February 2005 REVIEWED BY: T. Jaffe

PREPARED BY: William Hairston REVIEWED BY:

REVISIONS: INIT. DATE

Signature: *William Hairston* DATE: 3/1/05

SIG. INVENTORY NO. 12-1348