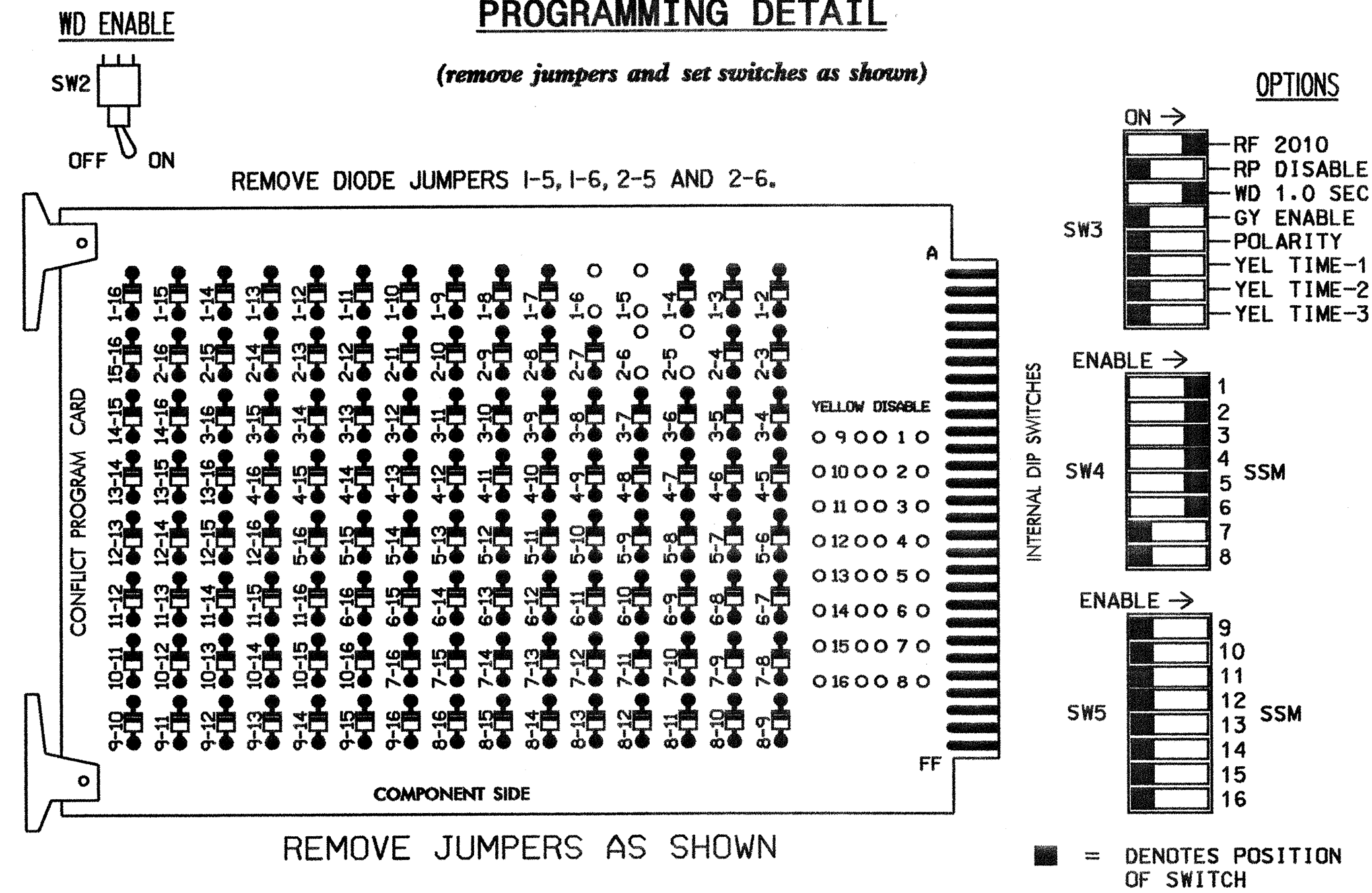


EDI MODEL 2010ECL CONFLICT MONITOR

PROGRAMMING DETAIL



NOTES:

- CARD IS PROVIDED WITH ALL DIODE JUMPERS IN PLACE. REMOVAL OF ANY JUMPER ALLOWS ITS CHANNELS TO RUN CONCURRENTLY.
- MAKE SURE JUMPERS SEL1-SEL5 ARE PRESENT ON THE MONITOR BOARD.

NOTES

- TO PREVENT "FLASH-CONFLICT" PROBLEMS, INSERT RED FLASH PROGRAM BLOCKS FOR ALL UNUSED VEHICLE LOAD SWITCHES IN THE OUTPUT FILE. THE INSTALLER SHALL VERIFY THAT SIGNAL HEADS FLASH IN ACCORDANCE WITH THE SIGNAL PLANS.
- ENSURE THAT RED ENABLE IS ACTIVE AT ALL TIMES DURING NORMAL OPERATION. TO PREVENT RED FAILURES ON UNUSED MONITOR CHANNELS, TIE UNUSED RED MONITOR INPUTS 7,8, 9,10,11,12,13,14,15 & 16 TO LOAD SWITCH AC+ PER THE CABINET MANUFACTURER'S INSTRUCTIONS.
- PROGRAM CONTROLLER TO START UP IN PHASES 2 AND 6 GREEN.
- ENABLE SIMULTANEOUS GAP-OUT FEATURE, ON CONTROLLER UNIT, FOR ALL PHASES.
- THE CABINET AND CONTROLLER ARE PART OF THE GASTONIA CITY SYSTEM.

EQUIPMENT INFORMATION

CONTROLLER.....CONTRACTOR SUPPLIED 2070L
 CABINETCONTRACTOR SUPPLIED 332
 SOFTWAREECONOLITE OASIS
 CABINET MOUNT.....BASE
 OUTPUT FILE POSITIONS...12
 LOAD SWITCHES USED.....S1,S2,S3,S4,S5,S6
 PHASES USED.....1,2,3,4,5,6
 OVERLAPS.....NONE

FIELD CONNECTION HOOK-UP CHART

LOAD SWITCH NO.	S1	S2	S2P	S3	S4	S4P	S5	S6	S6P	S7	S8	S8P
PHASE	1	2	2 PED	3	4	4 PED	5	6	6 PED	7	8	8 PED
SIGNAL HEAD NO.	32,61	21, 22,23	NU	23	31	32	41	42	NU	21	61,62	NU
GREEN		130		118	118	103	103			136		
YELLOW		129		117	117	102	102			135		
RED	*	128		116	116	101	101		*	134		
RED ARROW												
YELLOW ARROW	126			117					132			
GREEN ARROW	127			118	118	103			133			

NU = NOT USED

* DENOTES INSTALL LOAD RESISTOR. SEE LOAD RESISTOR INSTALLATION DETAIL THIS PAGE.

BACK-UP PROTECTION PROGRAMMING DETAIL

(program controller as shown below)

- FROM MAIN MENU PRESS '2' (PHASE CONTROL), THEN '1' (PHASE CONTROL FUNCTIONS). SCROLL TO THE BOTTOM OF THE MENU AND ENABLE DYNAMIC/BACKUP CONTROL FUNCTIONS 1 AND 2.
- FROM PHASE CONTROL FUNCTIONS MENU PRESS '2' (DYNAMIC/BACKUP CONTROL FUNCTIONS).

DYNAMIC/BACKUP CONTROL FUNCTION #01

OVERLAPS: ABCDEFGHIJKLMNOP

IF OVERLAPS ARE ACTIVE :

OR PHASES: 12345678910111213141516

IF PHASES ARE ON: X

OMIT PHASES : X

CALL PHASES : X

PRESS 'NEXT'

DYNAMIC/BACKUP CONTROL FUNCTION #02

OVERLAPS: ABCDEFGHIJKLMNOP

IF OVERLAPS ARE ACTIVE :

OR PHASES: 12345678910111213141516

IF PHASES ARE ON: X

OMIT PHASES : X

CALL PHASES : X

BACKUP PROTECTION PROGRAMMING COMPLETE

INPUT FILE POSITION LAYOUT

(front view)

FILE	U	1	2	3	4	5	6	7	8	9	10	11	12	13	14
"I"	U	∅ 1	∅ 2	∅ 3	∅ 3	∅ 4	∅ 3	∅ 4							FS
		1A	2A,2B	3A	3B	4A	NOT USED	∅ 3	∅ 4						
"J"	U	∅ 5	∅ 6												
		5A	6A,6B												
		∅ 2	∅ 6												
		5A	6C,6D												

EX.: 1A, 2A, ETC. = LOOP NO.'S

FS = FLASH SENSE
ST = STOP TIME

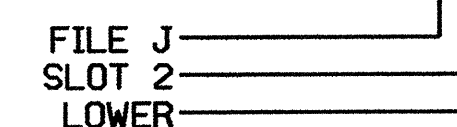
INPUT FILE CONNECTION & PROGRAMMING CHART

LOOP NO.	LOOP TERMINAL	INPUT FILE POS.	PIN NO.	INPUT ASSIGNMENT NO.	DETECTOR NO.	NEMA PHASE	CALL	EXTEND	FULL TIME DELAY	STRETCH TIME	DELAY TIME
1A ¹	TB2-5,6	I2U	39	1	2	1	Y	Y			15
	TB2-7,8	I2L	43	5	12	6	Y	Y			
	2A,2B	TB2-9,10	I3U	63	25	32	2	Y	Y	1.8	
2C,2D	TB2-11,12	I3L	76	38	42	2	Y	Y			
3A	TB4-5,6	I5U	58	20	3	3	Y	Y			3
	3B	TB4-9,10	I6U	41	3	4	Y	Y			
	3C	TB4-11,12	I6L	45	7	14	3	Y	Y		10
4A	TB6-1,2	I7U	65	27	34	4	Y	Y			3
	4B	TB6-3,4	I7L	78	40	4	Y	Y			10
	5A ²	TB3-5,6	J2U	40	2	6	5	Y	Y		
TB3-7,8		J2L	44	6	16	2	Y	Y			
6A,6B		TB3-9,10	J3U	64	26	36	6	Y	Y	1.8	
6C,6D	TB3-11,12	J3L	77	39	46	6	Y	Y			

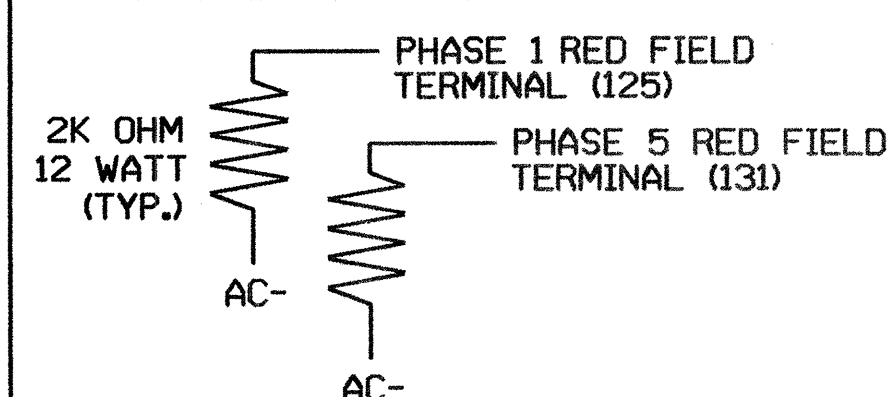
¹ ADD JUMPERS FROM TB2-5 TO TB2-7, AND FROM TB2-6 TO TB2-8.

² ADD JUMPERS FROM TB3-5 TO TB3-7, AND FROM TB3-6 TO TB3-8.

INPUT FILE POSITION LEGEND: J2L



LOAD RESISTOR INSTALLATION DETAIL



NOTE: THE PURPOSE OF THESE RESISTORS IS TO LOAD THE CHANNEL RED MONITOR INPUTS IN ORDER FOR THE SIGNAL SEQUENCE MONITOR TO USE THE FULL SIGNAL SEQUENCE MONITORING CAPABILITY ON CHANNELS THAT DO NOT USE THE RED DISPLAY IN THE FIELD.

SIGNAL UPGRADE

ELECTRICAL AND PROGRAMMING DETAILS FOR:

SR 1255 (HUDSON BOULEVARD) AT SR 2400 (NEAL HAWKINS RD.) / HILLTOP STREET

DIVISION 12 GASTON COUNTY GASTONIA

PLAN DATE: DECEMBER 2004 REVIEWED BY: [Signature]

PREPARED BY: WILLIAM HAIRSTON REVIEWED BY: [Signature]

REVISIONS: [Table with columns for REVISIONS, INIT., DATE]

SEAL: NORTH CAROLINA PROFESSIONAL ENGINEER SEAL 022013 GEORGE C. BROWN

Signature: [Signature] DATE: [Date]

SIG. INVENTORY NO. 12-1410