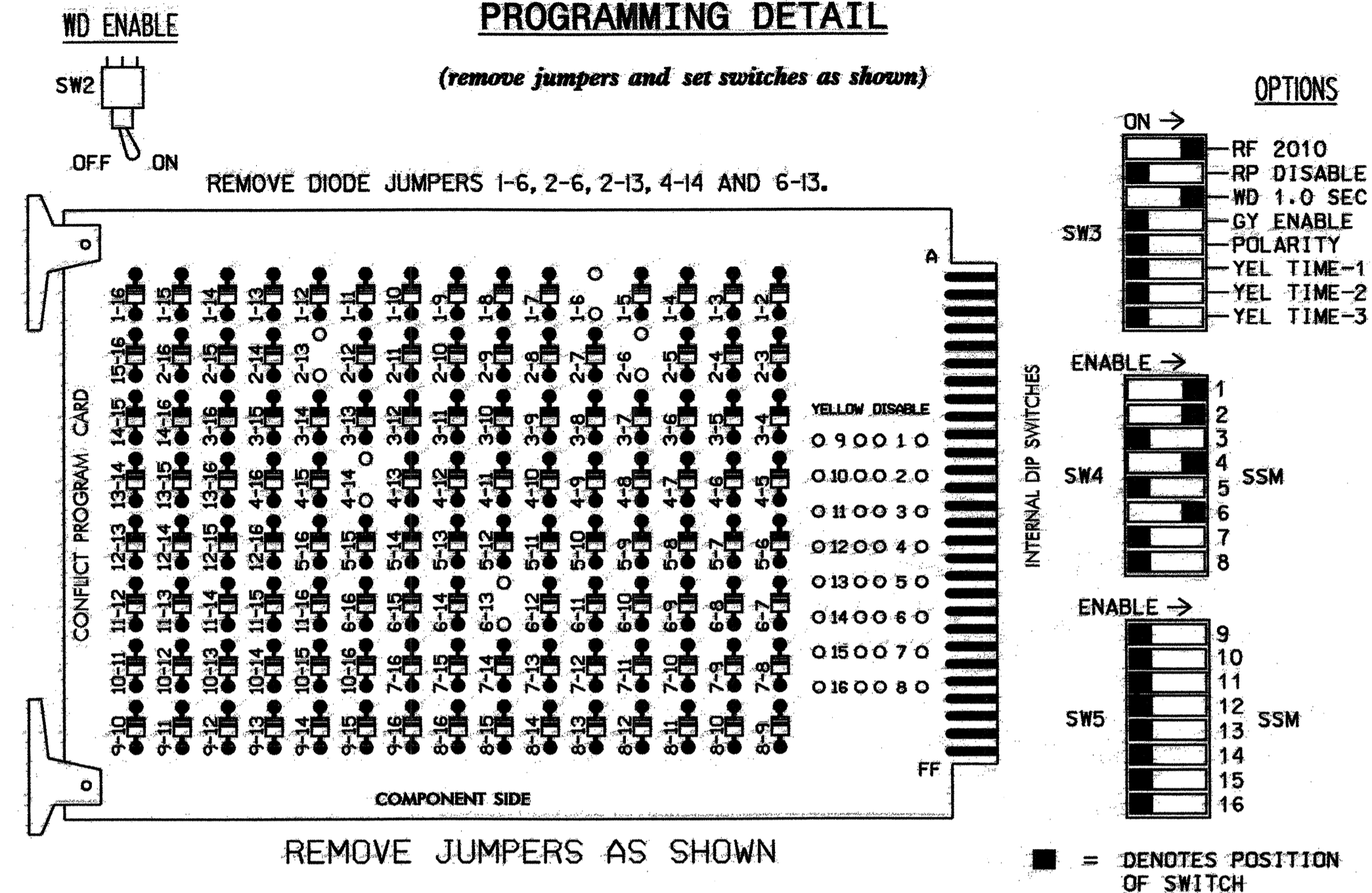


EDI MODEL 2010ECL CONFLICT MONITOR

PROGRAMMING DETAIL



NOTES:

- Card is provided with all diode jumpers in place. Removal of any jumper allows its channels to run concurrently.
- Make sure jumpers SEL1-SEL5 are present on the monitor board.

NOTES

- To prevent "flash-conflict" problems, insert red flash program blocks for all unused vehicle load switches in the output file. The installer shall verify that signal heads flash in accordance with the Signal Plans.
- Ensure that Red Enable is active at all times during normal operation. To prevent Red Failures on unused monitor channels, tie unused red monitor inputs 3,5,7, 8,9,10,11,12,13,14,15 & 16 to load switch AC+ per the cabinet manufacturer's instructions.
- Program controller to start up in phases 2 and 6 green.
- Enable Simultaneous Gap-Out, on the controller unit, for all phases.
- Program phases 2 and 6, on the controller unit, for Variable Initial and Gap Reduction.
- Program phases 2 and 4 for 'STARTUP PED CALL'.
- The cabinet and controller are part of the Gastonia City System.

FIELD CONNECTION HOOK-UP CHART

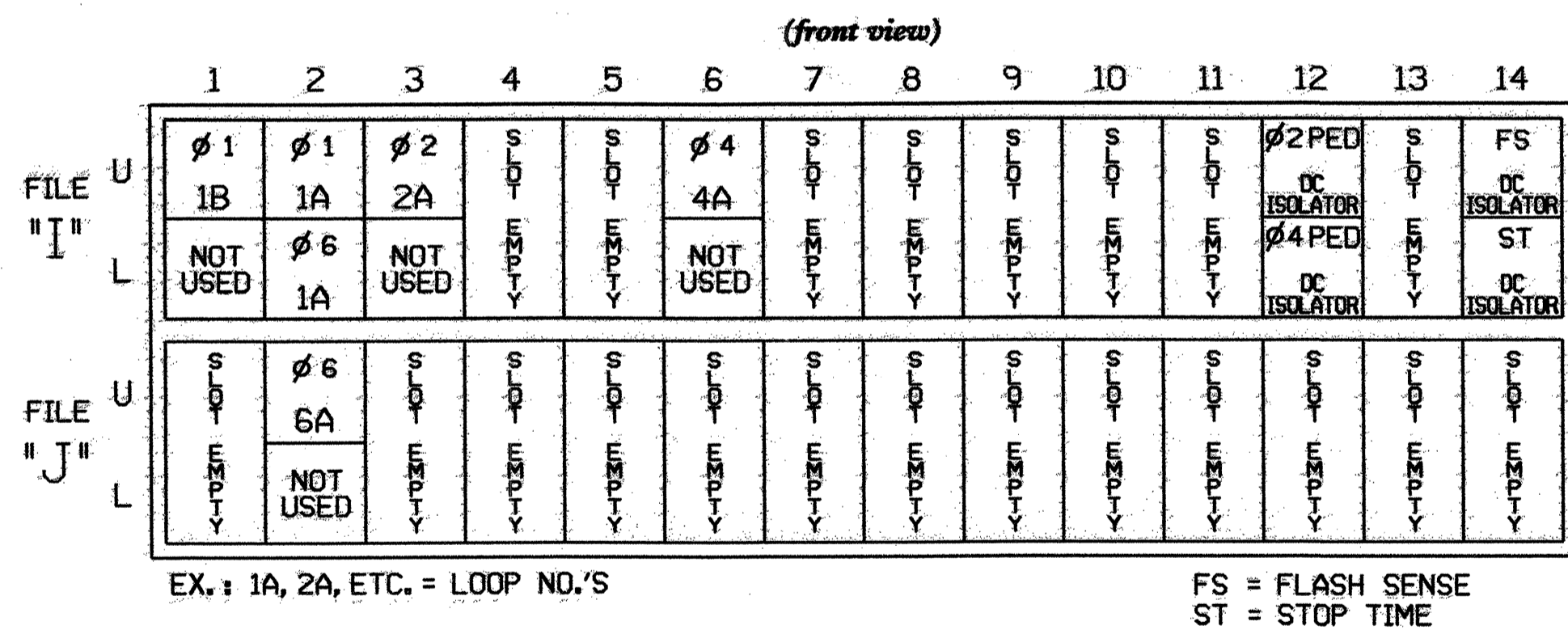
LOAD SWITCH NO.	S1	S2	S2P	S3	S4	S4P	S5	S6	S6P	S7	S8	S8P
PHASE	1	2	2 PED	3	4	4 PED	5	6	6 PED	7	8	8 PED
SIGNAL HEAD NO.	42,61	21,22	P21, P22	NU	41,42	P41, P42	NU	61,62	NU	NU	NU	NU
GREEN		130			103			136				
YELLOW		129			102			135				
RED	*	128			101			134				
RED ARROW												
YELLOW ARROW	126											
GREEN ARROW	127											
			115			106						
			113			104						

NU = Not Used
 * Denotes install load resistor. See load resistor installation detail this sheet.

EQUIPMENT INFORMATION

CONTROLLER.....CONTRACTOR SUPPLIED 2070L
 CABINET.....CONTRACTOR SUPPLIED 332
 SOFTWARE.....ECONOLITE OASIS
 CABINET MOUNT.....BASE
 OUTPUT FILE POSITIONS...12
 LOAD SWITCHES USED.....S1,S2,S2P,S4,S4P,S6
 PHASES USED.....1,2,2 PED,4,4 PED,6
 OVERLAPS.....NONE

INPUT FILE POSITION LAYOUT



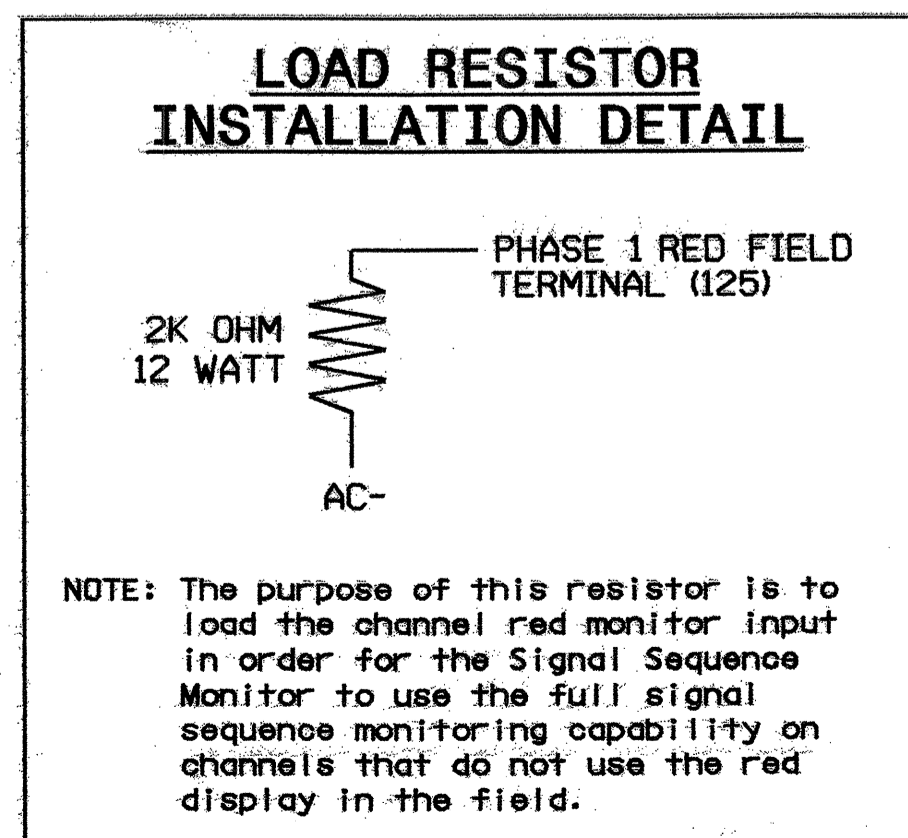
INPUT FILE CONNECTION & PROGRAMMING CHART

LOOP NO.	LOOP TERMINAL	INPUT FILE POS.	PIN NO.	INPUT ASSIGNMENT NO.	DETECTOR NO.	NEMA PHASE	CALL	EXTEND	FULL TIME DELAY	STRETCH TIME	DELAY TIME
1B	TB2-1,2	I1U	56	18	1	1	Y	Y			15
1A ¹	TB2-5,6	I2U	39	1	2	1	Y	Y			15
	TB2-7,8	I2L	43	5	12	6	Y	Y	Y		3
2A	TB2-9,10	I3U	63	25	32	2	Y	Y			
4A	TB4-9,10	I6U	41	3	4	4	Y	Y			3
6A	TB3-5,6	J2U	40	2	6	6	Y	Y			

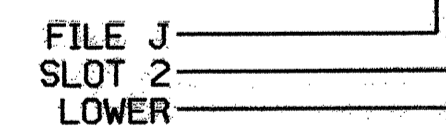
NOTE:
 INSTALL DC ISOLATORS IN INPUT FILE SLOT 112.
¹Add jumpers from TB2-5 to TB2-7, and from TB2-6 to TB2-8.

THIS ELECTRICAL DETAIL IS FOR THE SIGNAL DESIGN: 12-1603
 DESIGNED: February 2005
 SEALED: 02-17-05
 REVISED:

LOAD RESISTOR INSTALLATION DETAIL



INPUT FILE POSITION LEGEND: J2L



Signal Upgrade

Electrical and Programming Details For:

Prepared in the Office of:

 122 N. McDowell St., Raleigh, NC 27603

SR 2200 (Armstrong Park Road) at Spirit Circle
 Division 12 Gaston County Gastonia

PLAN DATE: February 2005 REVIEWED BY: T. Joyce
 PREPARED BY: James Peterson REVIEWED BY:

REVISIONS: _____ INIT. DATE _____

Signature: *George C. Brown* Date: _____
 SIG. INVENTORY NO. 12-1603