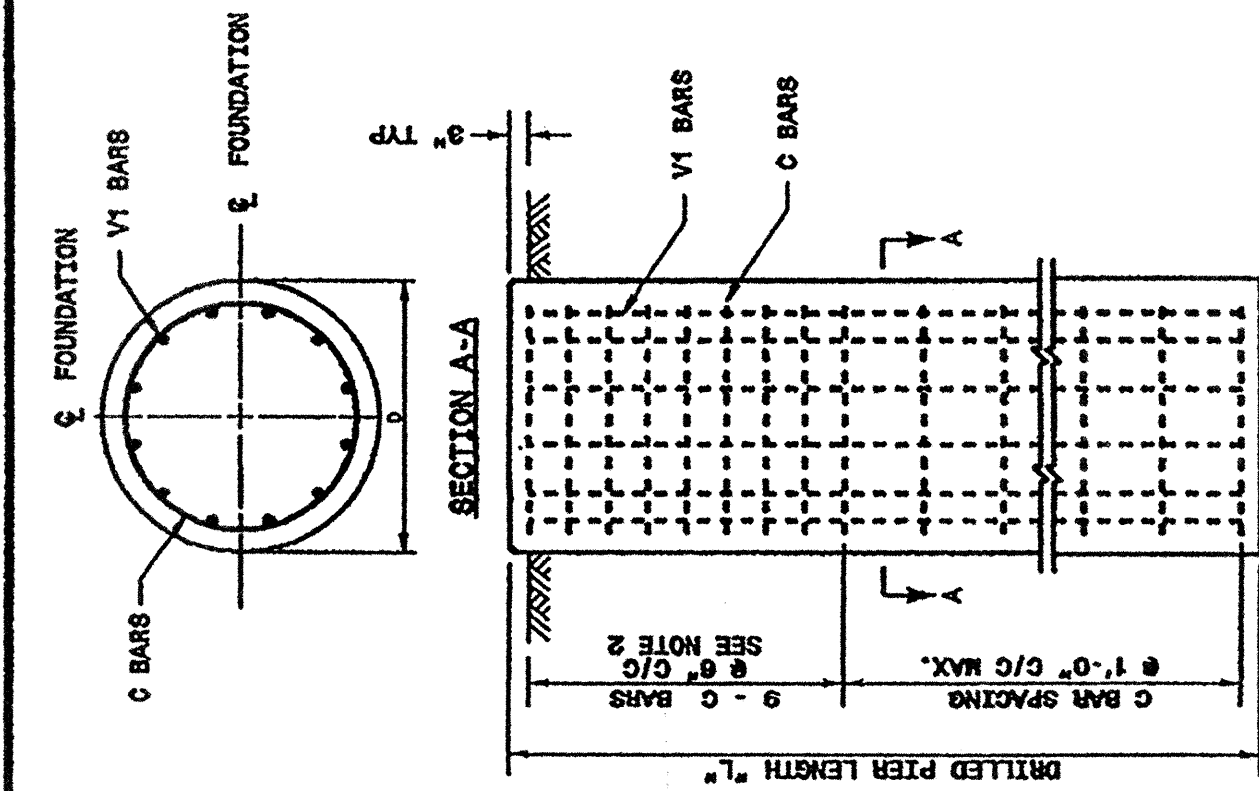


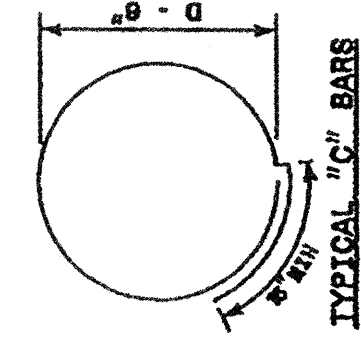
20-AUG-2004 10:48
 K:\apps\as-dm\linc\c\cases\2003\METAL POLE STANDARDS\plate sheets\174201.pln sheet.dgn
 plotter



REINFORCING STEEL TABLE FOR STANDARD DRILL PIER SHAFT (42" & 48" DIAMETER)

SHAFT DIA. (in.)	CONC. (cu. yds.)	NO. V1 BARS	NO. C BARS	NO. V2 BARS	NO. H BARS	NO. DRILL PIER SHAFT
42"	.888 x 1	8	8	8	8	8
48"	.486 x 1	12	12	12	12	12

* See Construction Note No. 1.
 ** See Construction Note No. 2.



REINFORCING STEEL TABLE FOR STANDARD 42" and 48" DRILL PIER SHAFT WITH TYPE 1 AND TYPE 2 WING WALLS

Wing Wall Type	Wing Wall Dia. (in.)	Bar No.	Bar Size	Bar Spacing	Wing Wall Length (ft.)
TYPE 1	42"	1	#4	12"	12'
		2	#4	12"	12'
		3	#4	12"	12'
		4	#4	12"	12'
TYPE 2	42"	1	#4	12"	12'
		2	#4	12"	12'
		3	#4	12"	12'
		4	#4	12"	12'
TYPE 2	48"	1	#4	12"	12'
		2	#4	12"	12'
		3	#4	12"	12'
		4	#4	12"	12'

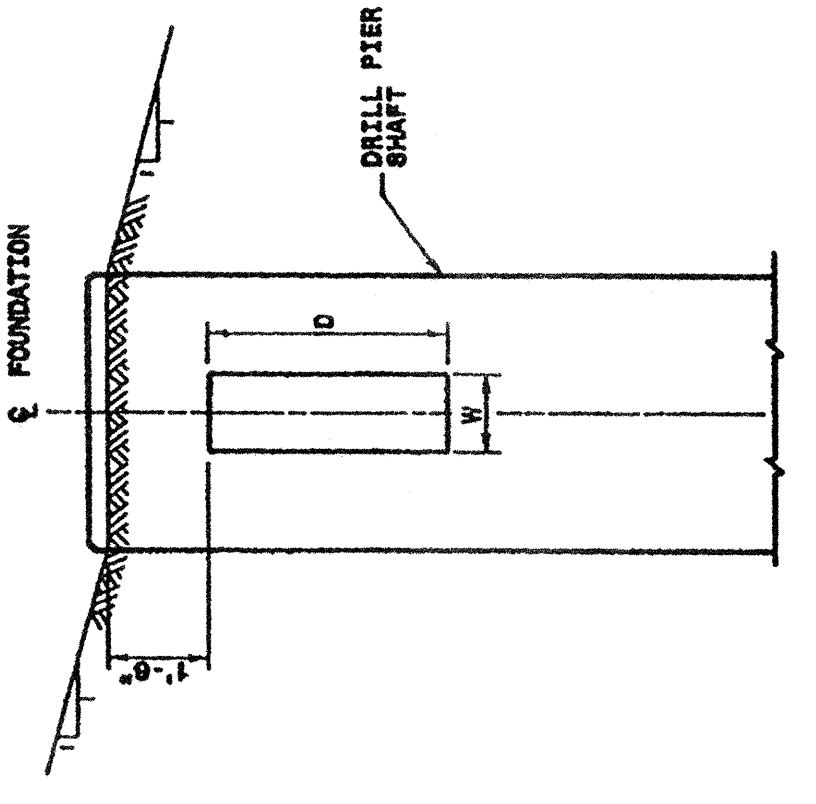
* See Construction Note No. 1.
 ** See Construction Note No. 2.

WING WALL DETAILS

Wing Wall Type	Wing Wall Dia. (in.)	Bar No.	Bar Size	Bar Spacing	Wing Wall Length (ft.)
TYPE 1	42"	1	#4	12"	12'
		2	#4	12"	12'
		3	#4	12"	12'
		4	#4	12"	12'
TYPE 2	42"	1	#4	12"	12'
		2	#4	12"	12'
		3	#4	12"	12'
		4	#4	12"	12'
TYPE 2	48"	1	#4	12"	12'
		2	#4	12"	12'
		3	#4	12"	12'
		4	#4	12"	12'

* See Construction Note No. 1.
 ** See Construction Note No. 2.

- NOTES**
- THE NUMBER OF C-BARS IS BASED ON FOUNDATION DEPTH. SEE FOUNDATION SELECTION TABLES.
 - CIRCULAR TIE REINFORCING RINGS MAY BE BENT VERTICALLY TO FACILITATE INSTALLATION OF ELECTRICAL CONDUIT ENTERING IN THE CAGE.
 - THE LENGTH OF V1-BARS IS BASED ON FOUNDATION DEPTH. SEE FOUNDATION SELECTION TABLES.
 - THE QUANTITIES FOR STEEL AND CONCRETE SHOWN IN THE WING WALL DETAILS CHART REFLECT THE AMOUNT OF MATERIAL FOR 1 PAIR OF WING WALLS (2 WING WALLS PER DRILL PIER SHAFT.)
 FOR 42" DIA. = .888 CU. YDS.;
 FOR 48" DIA. = .486 CU. YDS.
 - CONCRETE DRILL PIER SHAFT VOLUME (CU. YDS.):
 FOR 42" DIA. = .888 CU. YDS.;
 FOR 48" DIA. = .486 CU. YDS.
 - FORM REINFORCING STEEL TO CONFORM TO ASTM A816 GRADE 60. TIES MAY BE DEFORMED OR PLAIN.
 - CAST CONCRETE AGAINST UNDISTURBED SOIL.
 - DO NOT ERECT TRAFFIC SIGNAL STRUCTURES BEFORE THE CONCRETE IN THE FOUNDATION HAS ATTAINED A MINIMUM COMPRESSIVE STRENGTH OF 3000 PSI.
 - MAKE PROVISIONS FOR DRAINAGE OF WATER FROM INSIDE OF THE METAL SUPPORT.
 - FOR OTHER DETAILS REGARDING CONSTRUCTION OF CONCRETE FOUNDATION SEE PROJECT SPECIAL PROVISIONS.
 - IN CASE OF ANY CROSS SLOPES, GRADE AROUND THE FOUNDATION AS FOLLOWS:



STATE OF NORTH CAROLINA
 DEPT. OF TRANSPORTATION
 DIVISION OF HIGHWAYS
 RALEIGH, N.C.

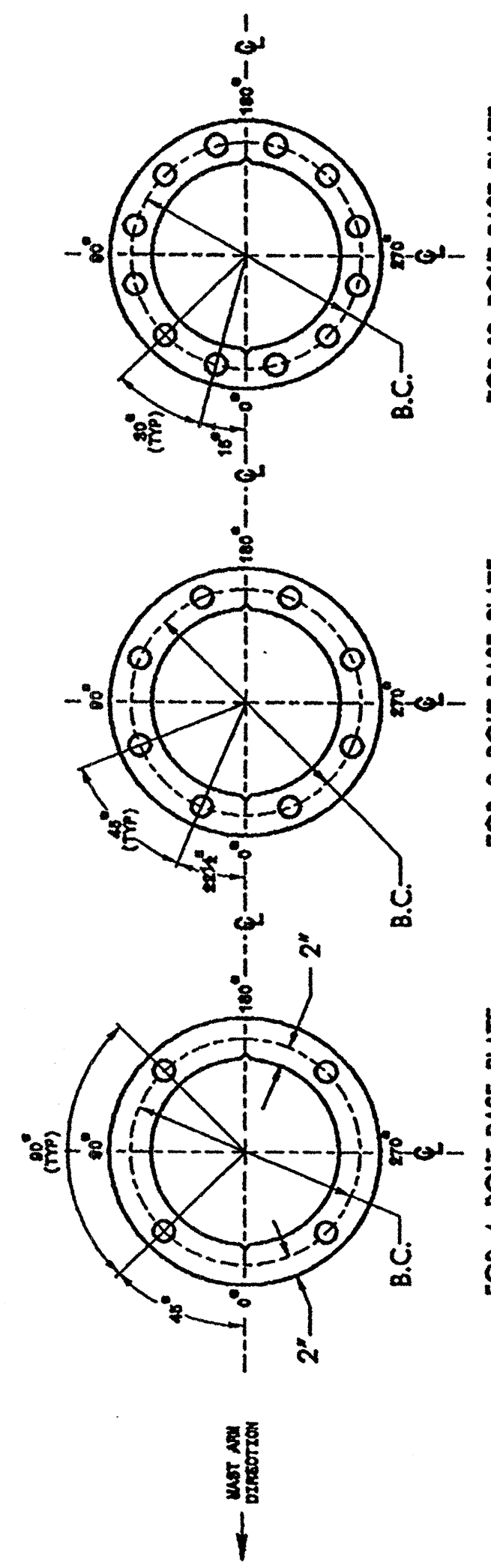
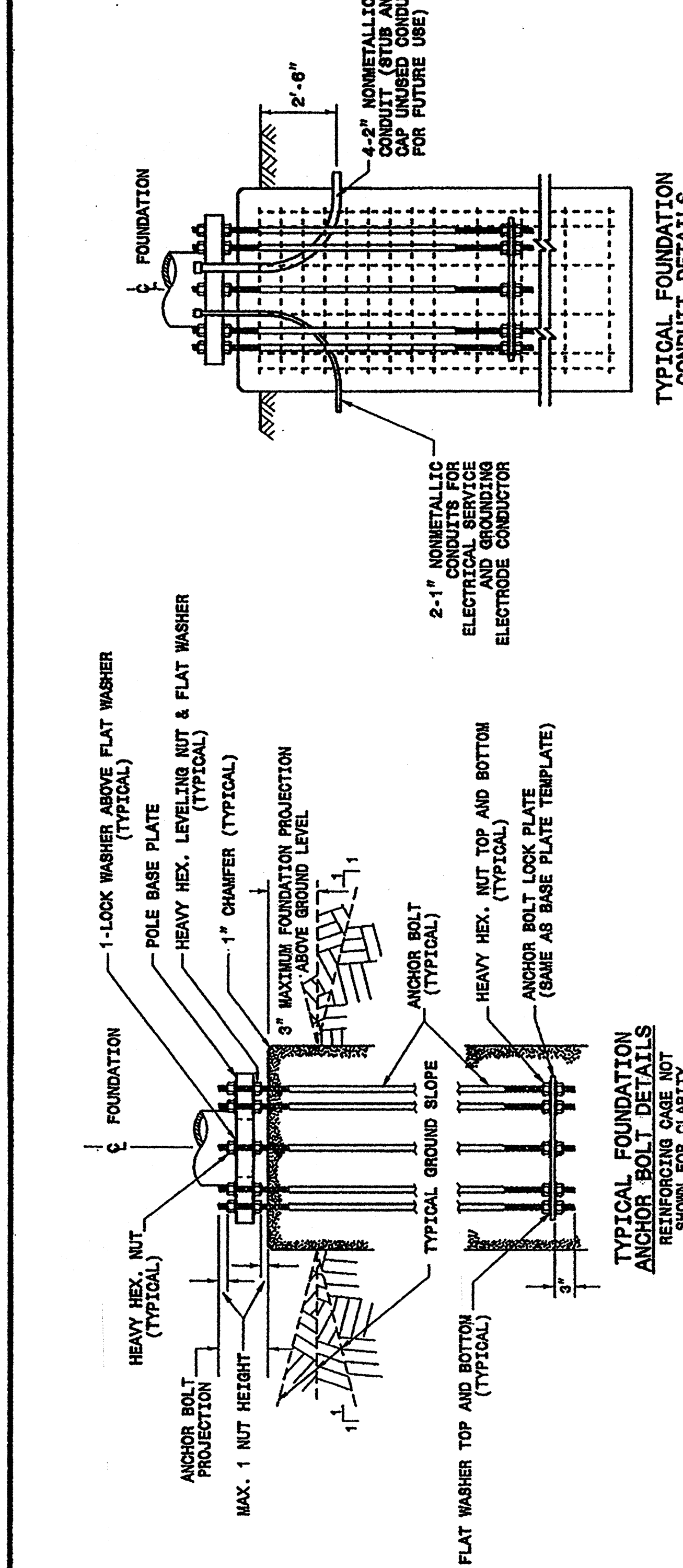
ENGLISH STANDARD DRAWING FOR
**METAL POLE FOUNDATIONS
 REINFORCING CAGE DETAILS**

SHEET 1 OF 2
1742.01

STATE OF NORTH CAROLINA
 DEPT. OF TRANSPORTATION
 DIVISION OF HIGHWAYS
 RALEIGH, N.C.

ENGLISH STANDARD DRAWING FOR
**METAL POLE FOUNDATIONS
 REINFORCING CAGE DETAILS**

SHEET 1 OF 2
1742.01



STATE OF NORTH CAROLINA
 DEPT. OF TRANSPORTATION
 DIVISION OF HIGHWAYS
 RALEIGH, N.C.

ENGLISH STANDARD DRAWING FOR
**METAL POLE FOUNDATIONS
 INSTALLATION DETAILS**

SHEET 2 OF 2
1742.01

STATE OF NORTH CAROLINA
 DEPT. OF TRANSPORTATION
 DIVISION OF HIGHWAYS
 RALEIGH, N.C.

ENGLISH STANDARD DRAWING FOR
**METAL POLE FOUNDATIONS
 INSTALLATION DETAILS**

SHEET 2 OF 2
1742.01

Structural Engineer G. Barbur SIGNATURE 8/20/04 DATE	Electrical Engineer G. Fuller SIGNATURE 8/20/04 DATE
--	--

Standard Drawings
 Traffic Management and Signal Systems Unit
 122 N. McDowell St., Raleigh, NC 27603

See Plate for Title

Original: 2002 Standards