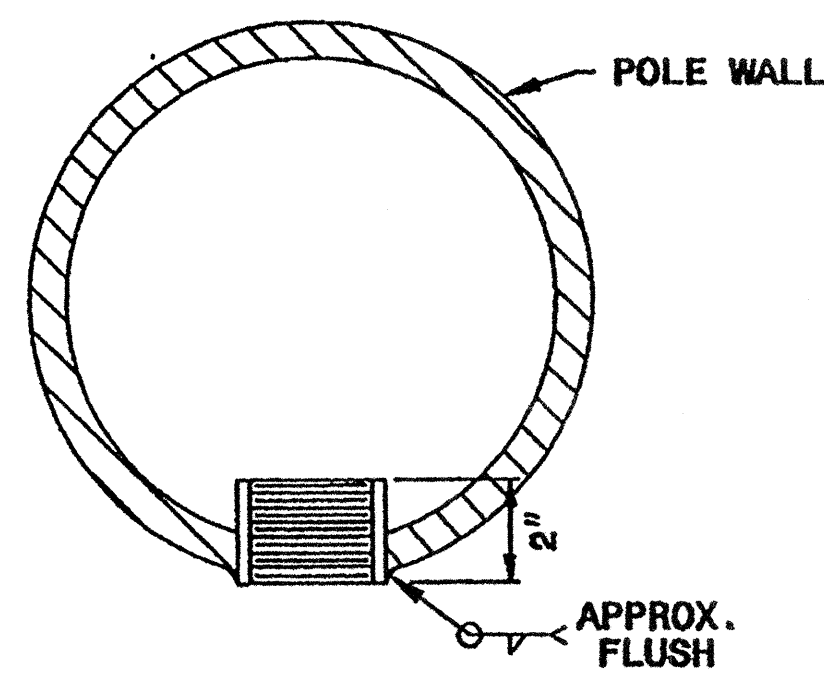


STATE OF NORTH CAROLINA
 DEPT. OF TRANSPORTATION
 DIVISION OF HIGHWAYS
 RALEIGH, N.C.

9-03

MOUNTING POINT DETAIL

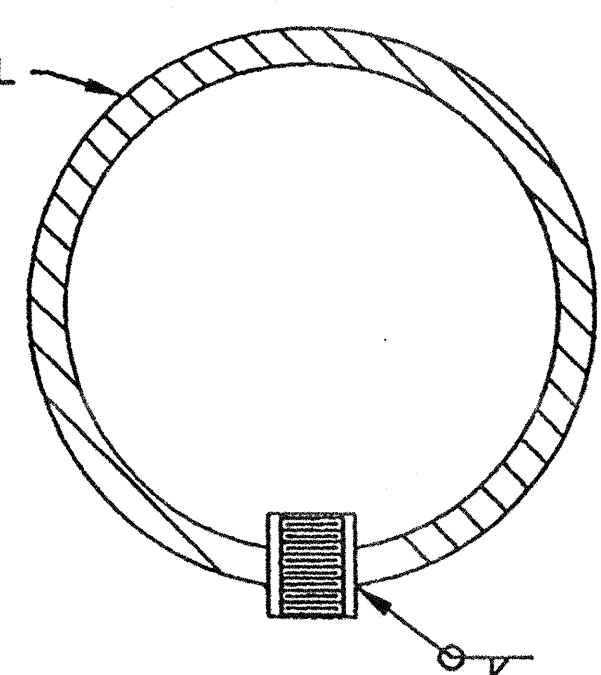
CABLE ENTRANCE IN TERMINAL COMPARTMENT



HALF COUPLING WITH INTERNAL 3" THREADS TO ACCEPT 3" METALLIC CONDUIT

SEE GENERAL NOTE NO. 1 ON SHEET 2 OF THIS STANDARD DRAWING FOR FABRICATION DETAILS.

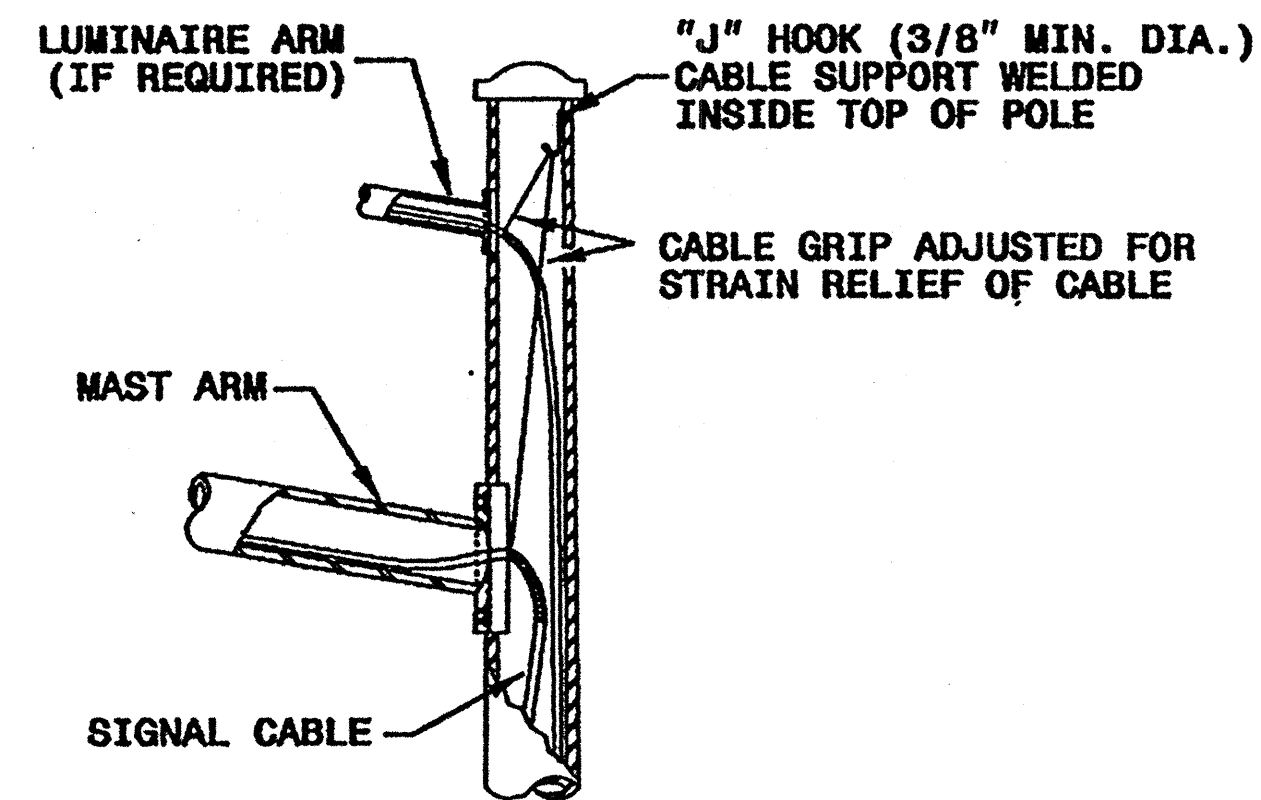
CABLE ENTRANCES AT TOP OF POLE



HALF COUPLINGS WITH INTERNAL 1" & 2" THREADS TO ACCEPT 1" & 2" METALLIC CONDUITS

SEE GENERAL NOTE NO. 2 ON SHEET 2 OF THIS STANDARD DRAWING FOR FABRICATION DETAILS.

CABLE STRAIN RELIEF



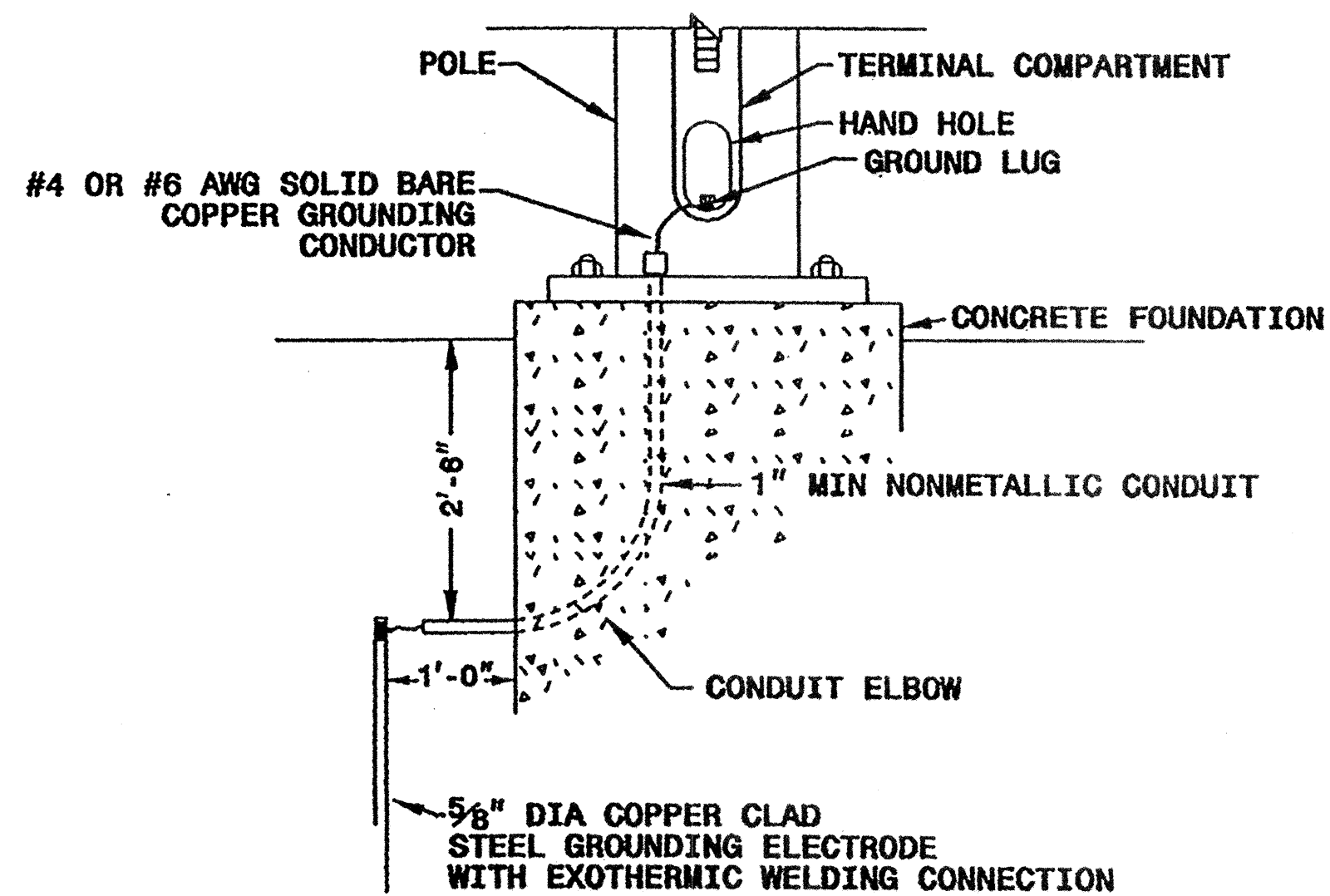
STATE OF NORTH CAROLINA
 DEPT. OF TRANSPORTATION
 DIVISION OF HIGHWAYS
 RALEIGH, N.C.

9-03

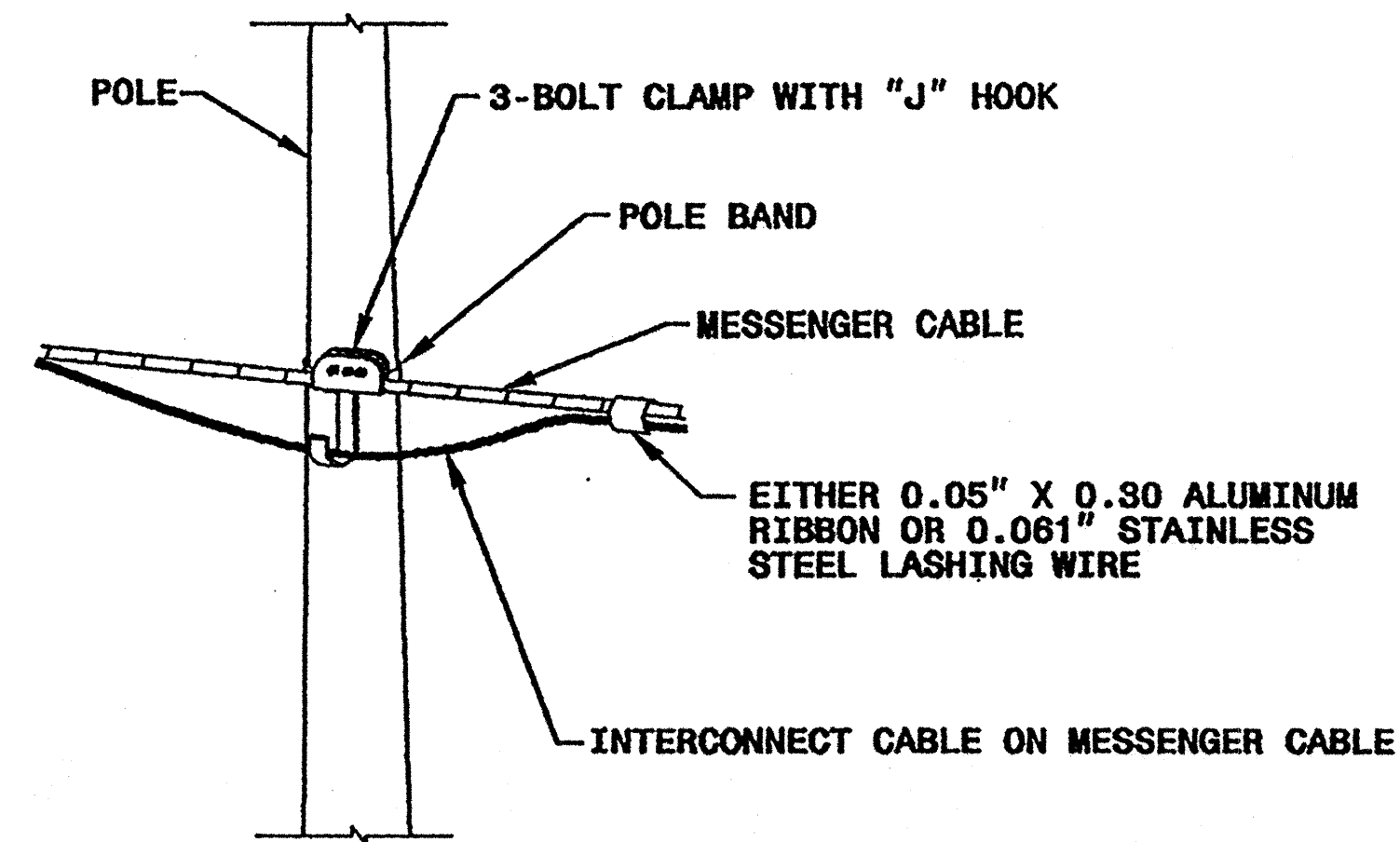
ENGLISH STANDARD DRAWING FOR
 METAL POLES
 MISCELLANEOUS DETAILS

9-03

METAL POLE GROUNDING DETAIL



ATTACHMENT OF CABLE TO INTERMEDIATE METAL POLE



ENGLISH STANDARD DRAWING FOR
 METAL POLES
 MISCELLANEOUS DETAILS

9-03

SHEET 3 OF 3
1740.01

SHEET 3 OF 3
1740.01

Structural Engineer D. Saxton 9/19/03 SIGNATURE DATE	Electrical Engineer Milton I. Dean 9/22/03 SIGNATURE DATE
--	---

Standard Drawings
 Traffic Management and Signal Systems Unit
 122 N. McDowell St., Raleigh, NC 27603

See Plate for Title

Original: 2002 Standards

19-SEP-2003 14:27
 C:\p03\1740-01\1740-01.dwg
 1740-01.dwg
 1740-01.dwg
 1740-01.dwg