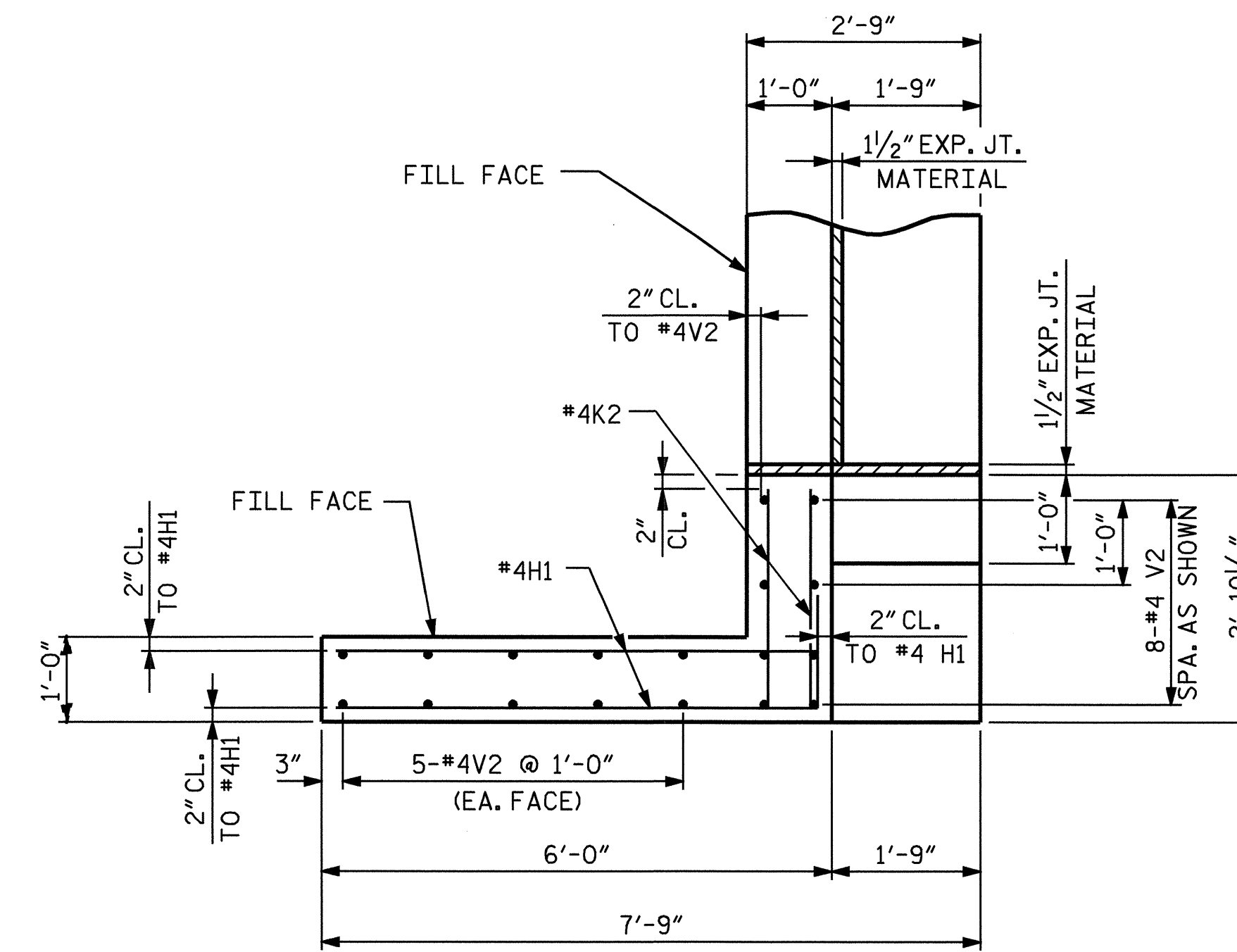
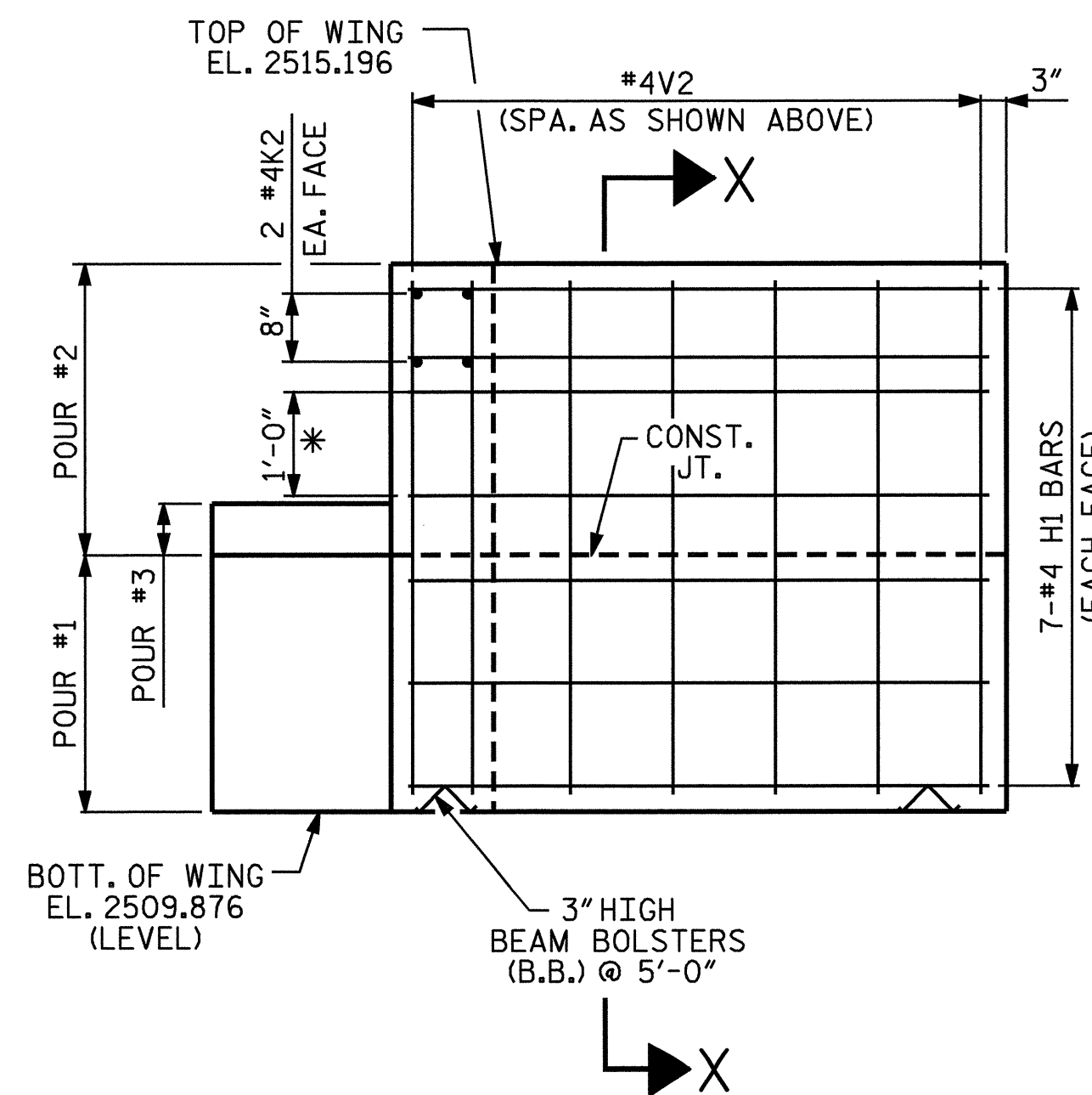


PLAN OF LEFT WING (W1)

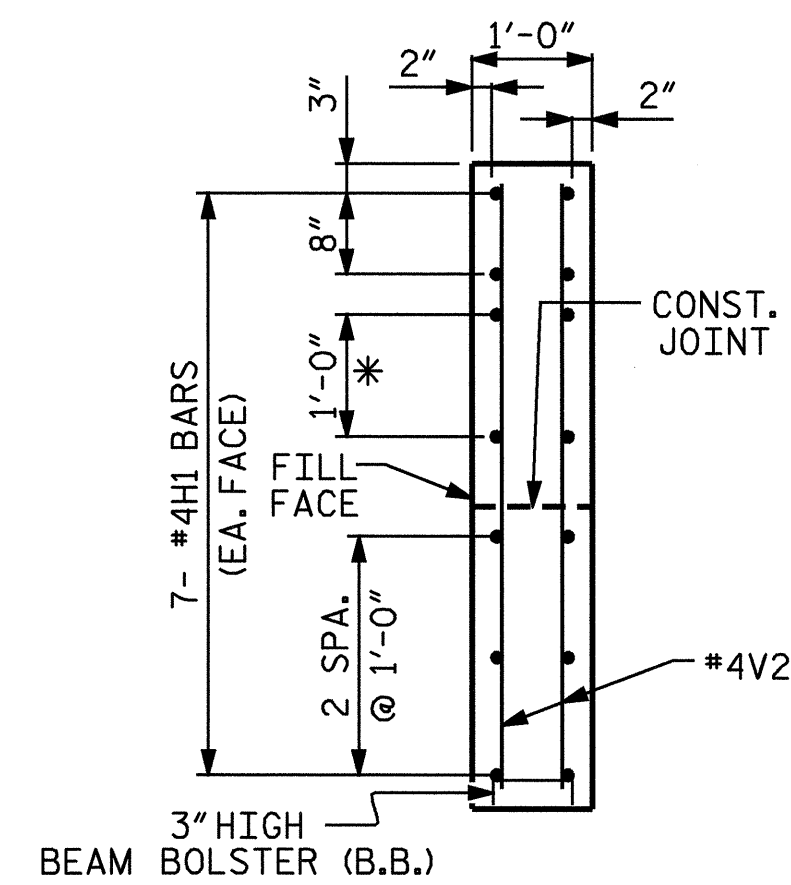


PLAN OF RIGHT WING (W2)

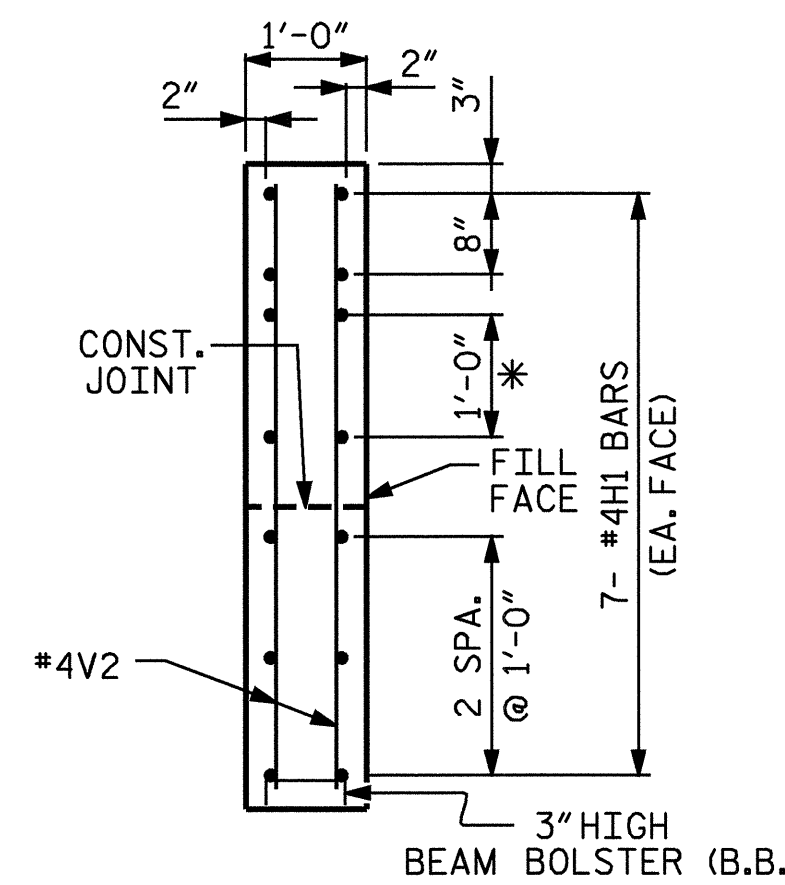
\* MATCH THESE BARS TO THE "K" BARS IN THE BACKWALL



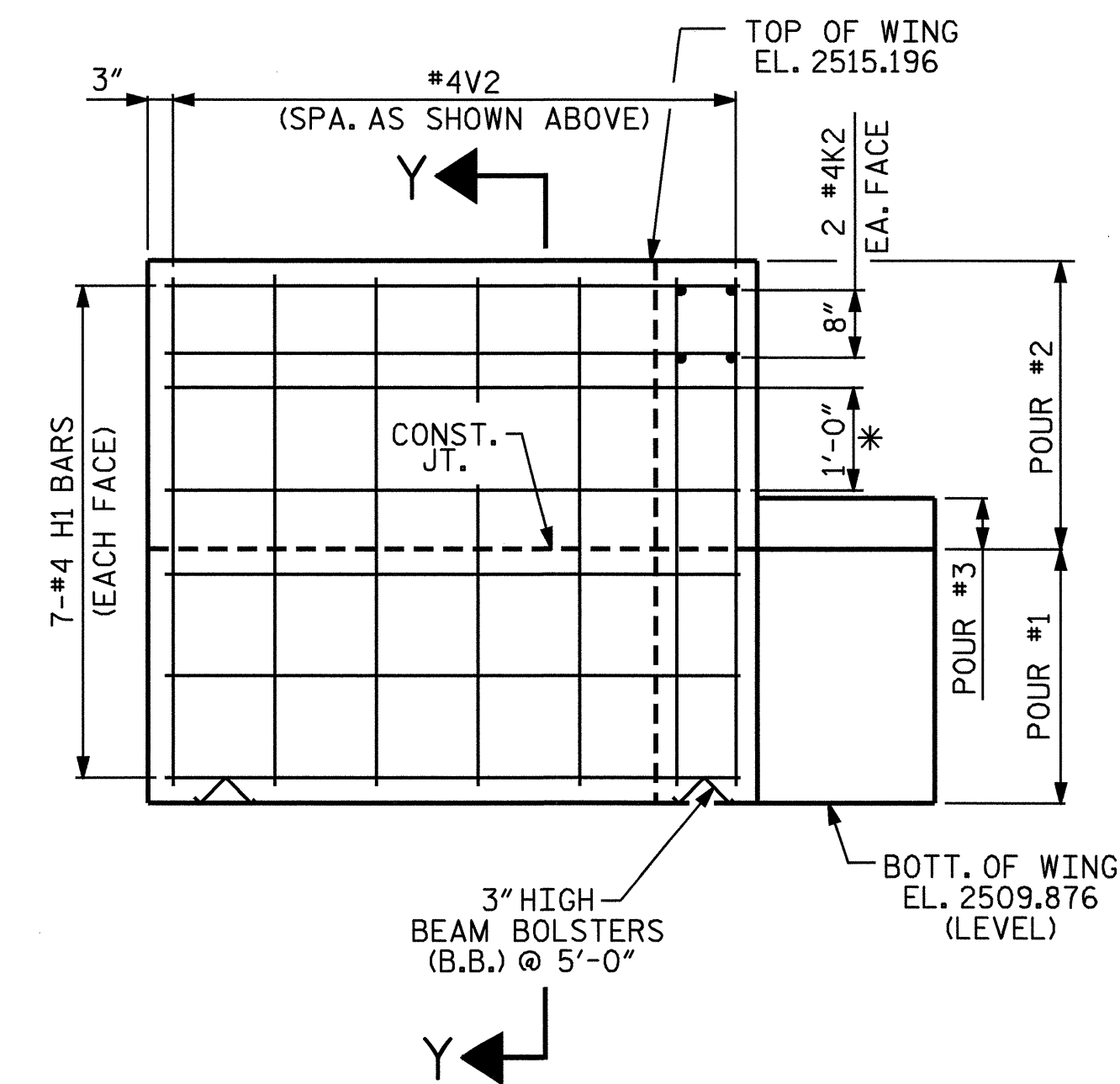
ELEVATION OF LEFT WING (W1)



SECTION X-X



SECTION Y-Y



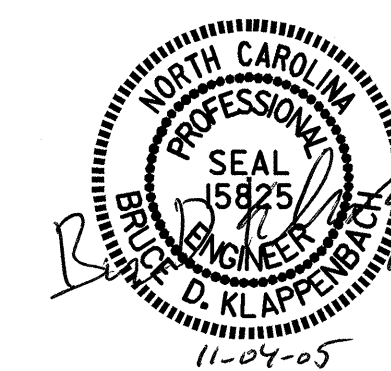
ELEVATION OF RIGHT WING (W2)

PROJECT NO. B-4180  
MACON COUNTY  
STATION: 17+06.00 -L-

SHEET 2 OF 3

STATE OF NORTH CAROLINA  
DEPARTMENT OF TRANSPORTATION  
RALEIGH

SUBSTRUCTURE  
END BENT #1



DRAWN BY: M. G. SHAIKH DATE: 01-12-05  
CHECKED BY: J. B. WILSON DATE: 01-20-05

REVISIONS						SHEET NO.
NO.	BY:	DATE:	NO.	BY:	DATE:	S-10
1			3			TOTAL SHEETS
2			4			18