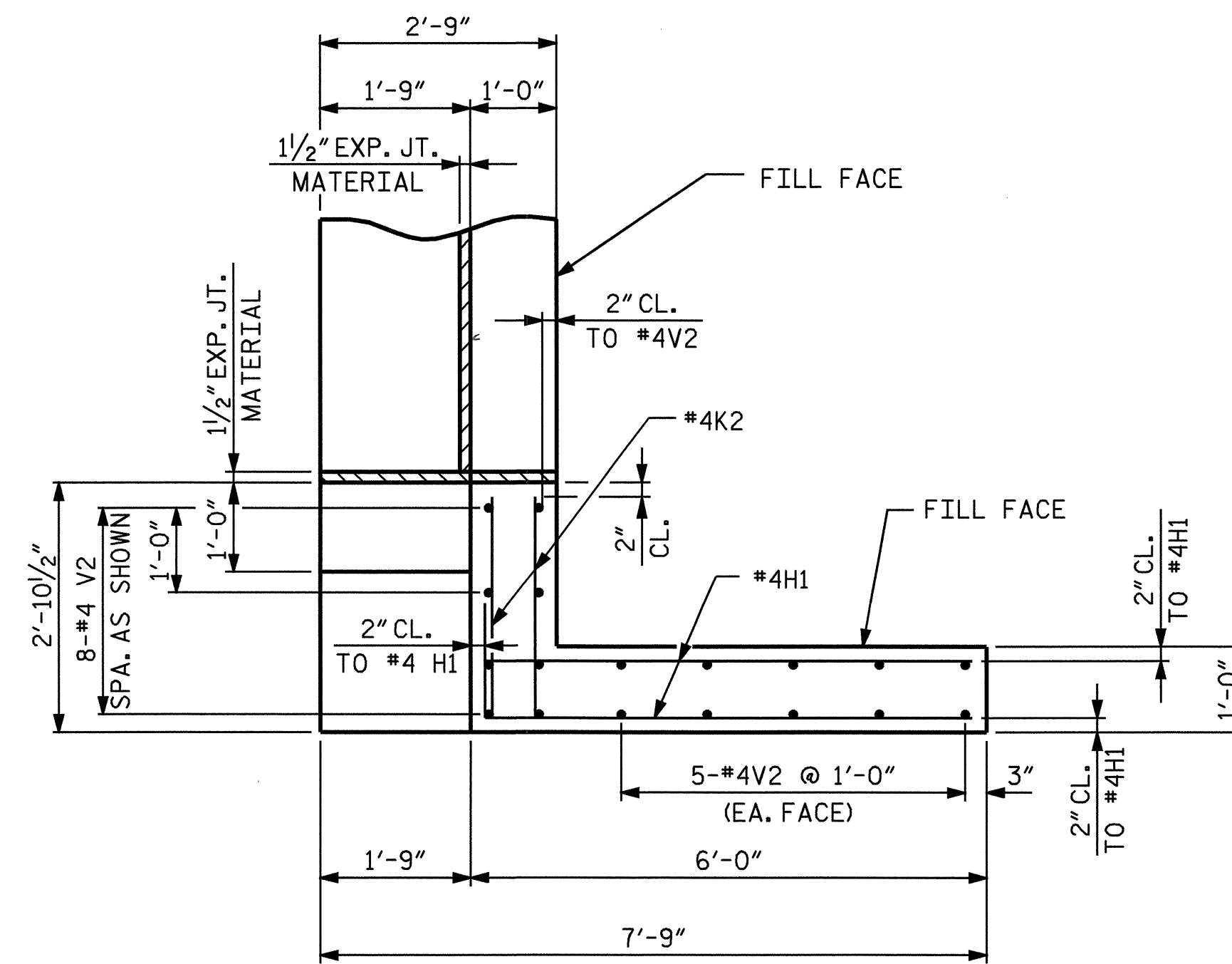
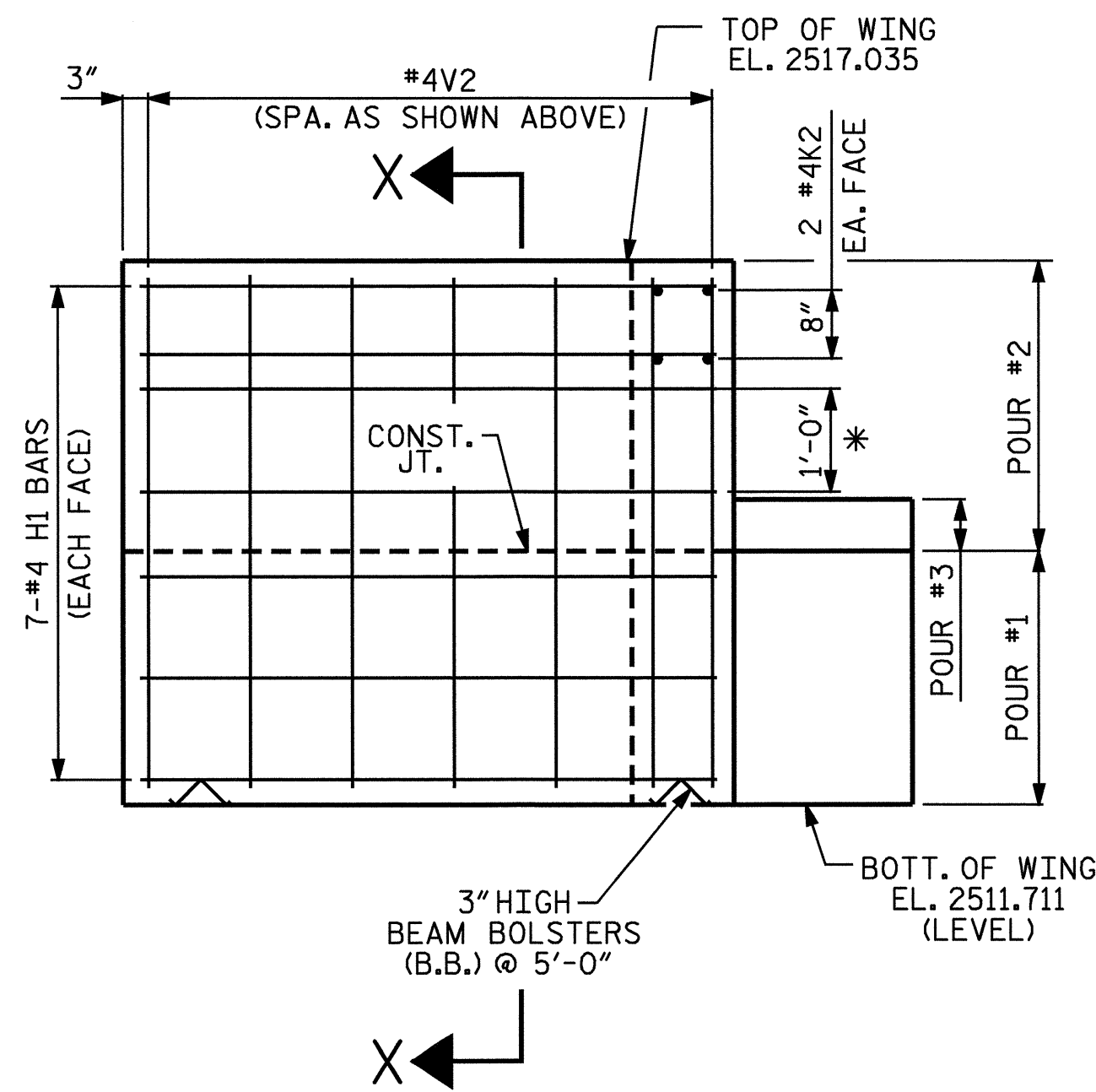


PLAN OF LEFT WING (W1)

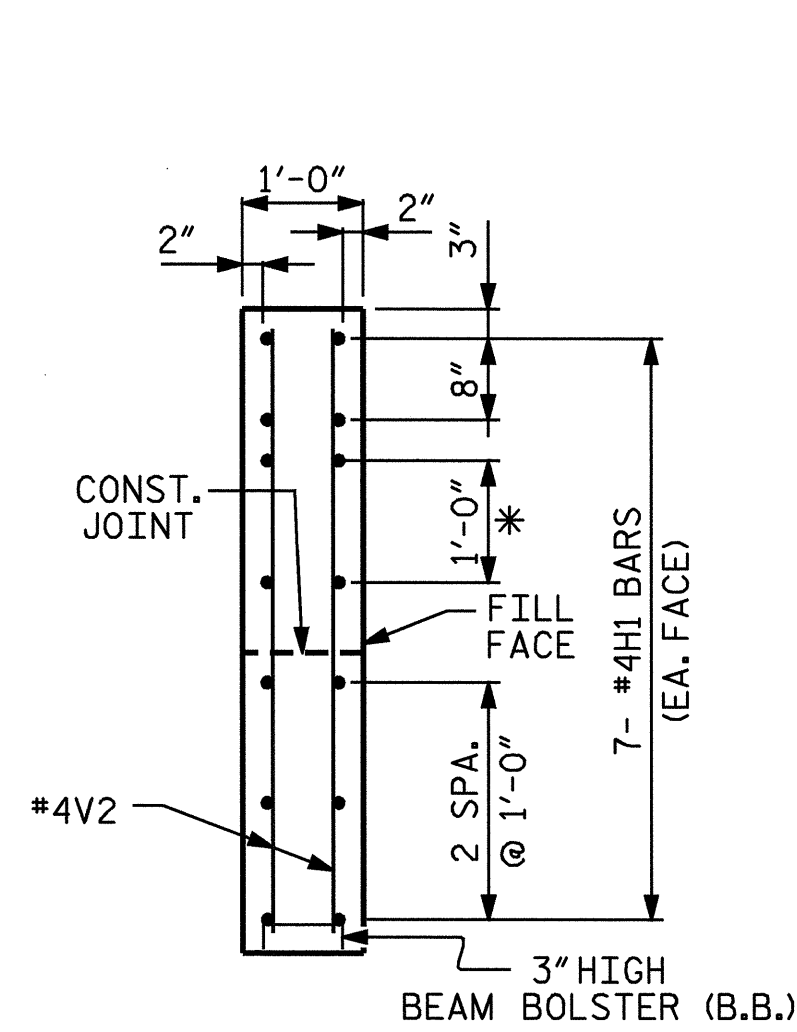


PLAN OF RIGHT WING (W2)

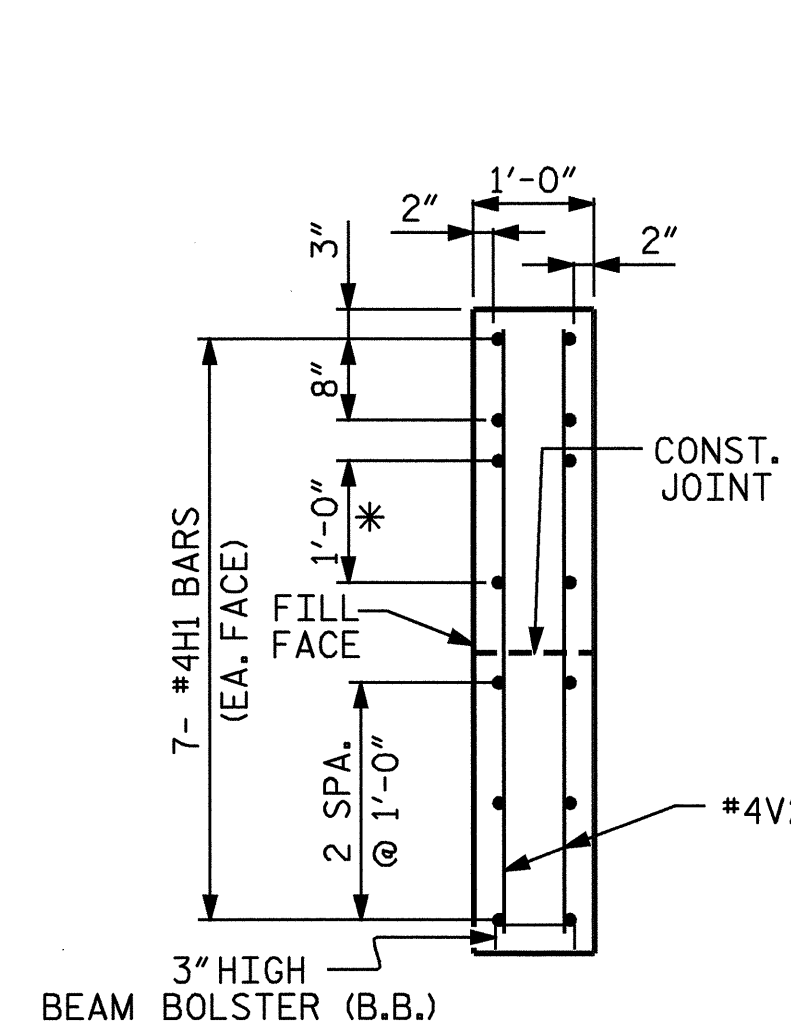
* MATCH THESE BARS TO THE "K" BARS IN THE BACKWALL



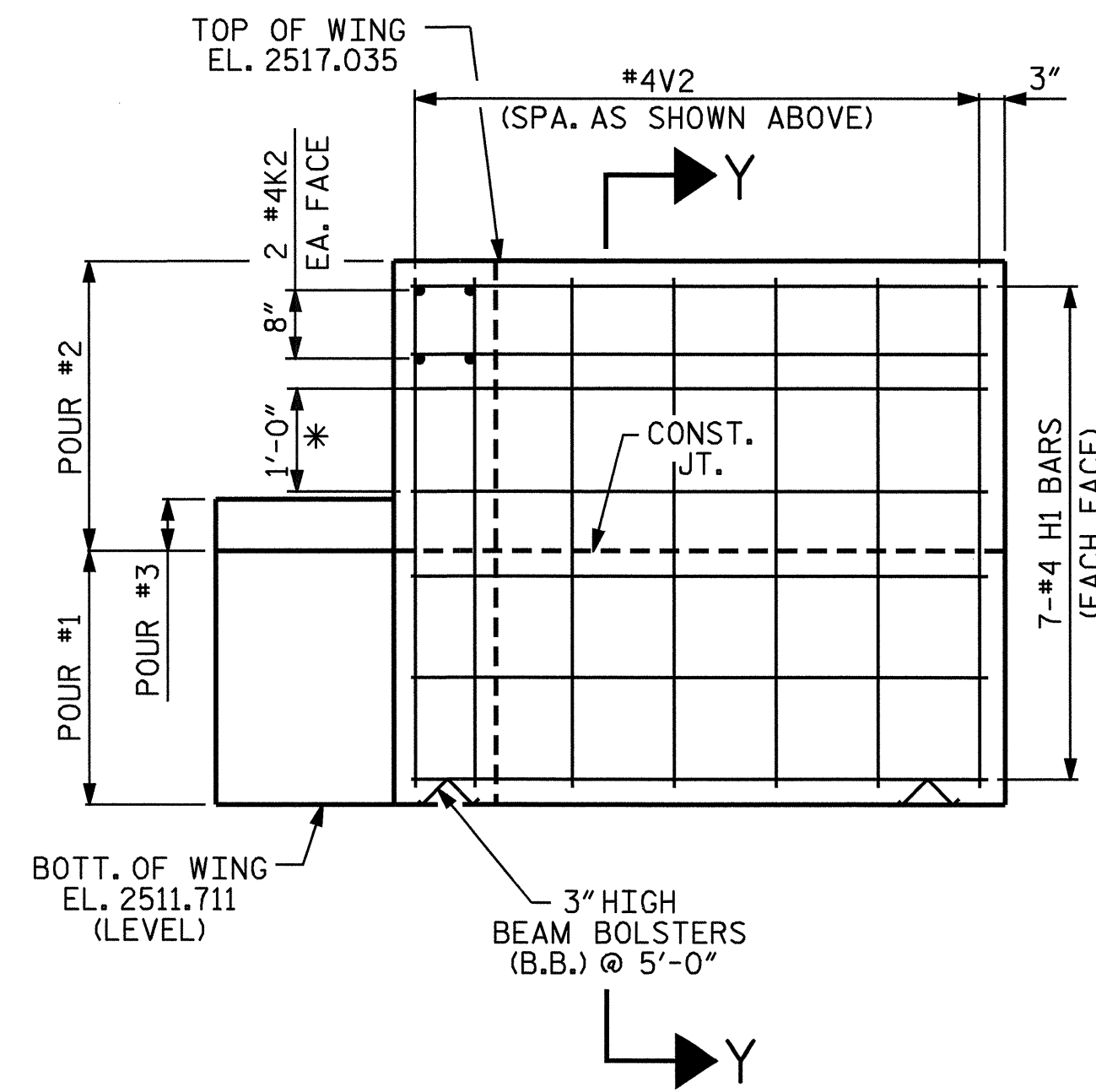
ELEVATION OF LEFT WING (W1)



SECTION X-X



SECTION Y-Y



ELEVATION OF RIGHT WING (W2)

PROJECT NO. B-4180
MACON COUNTY
STATION: 17+06.00 -L-

SHEET 2 OF 3

STATE OF NORTH CAROLINA
DEPARTMENT OF TRANSPORTATION
RALEIGH

SUBSTRUCTURE
END BENT #2



DRAWN BY : M. G. SHAIKH DATE : 01-14-05
CHECKED BY : J. B. WILSON DATE : 01-20-05

REVISIONS						SHEET NO.
NO.	BY:	DATE:	NO.	BY:	DATE:	S-13
1			3			TOTAL SHEETS
2			4			18