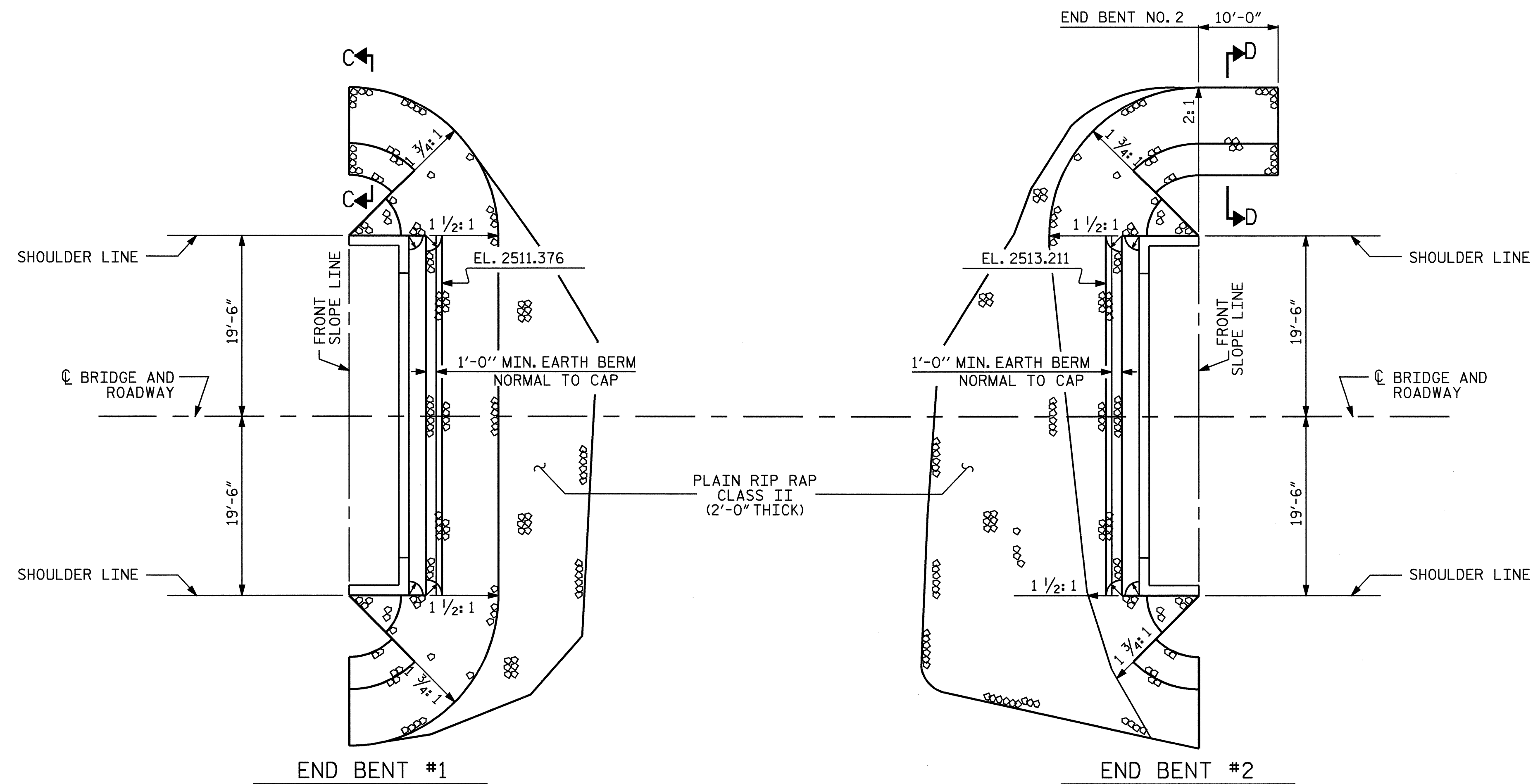


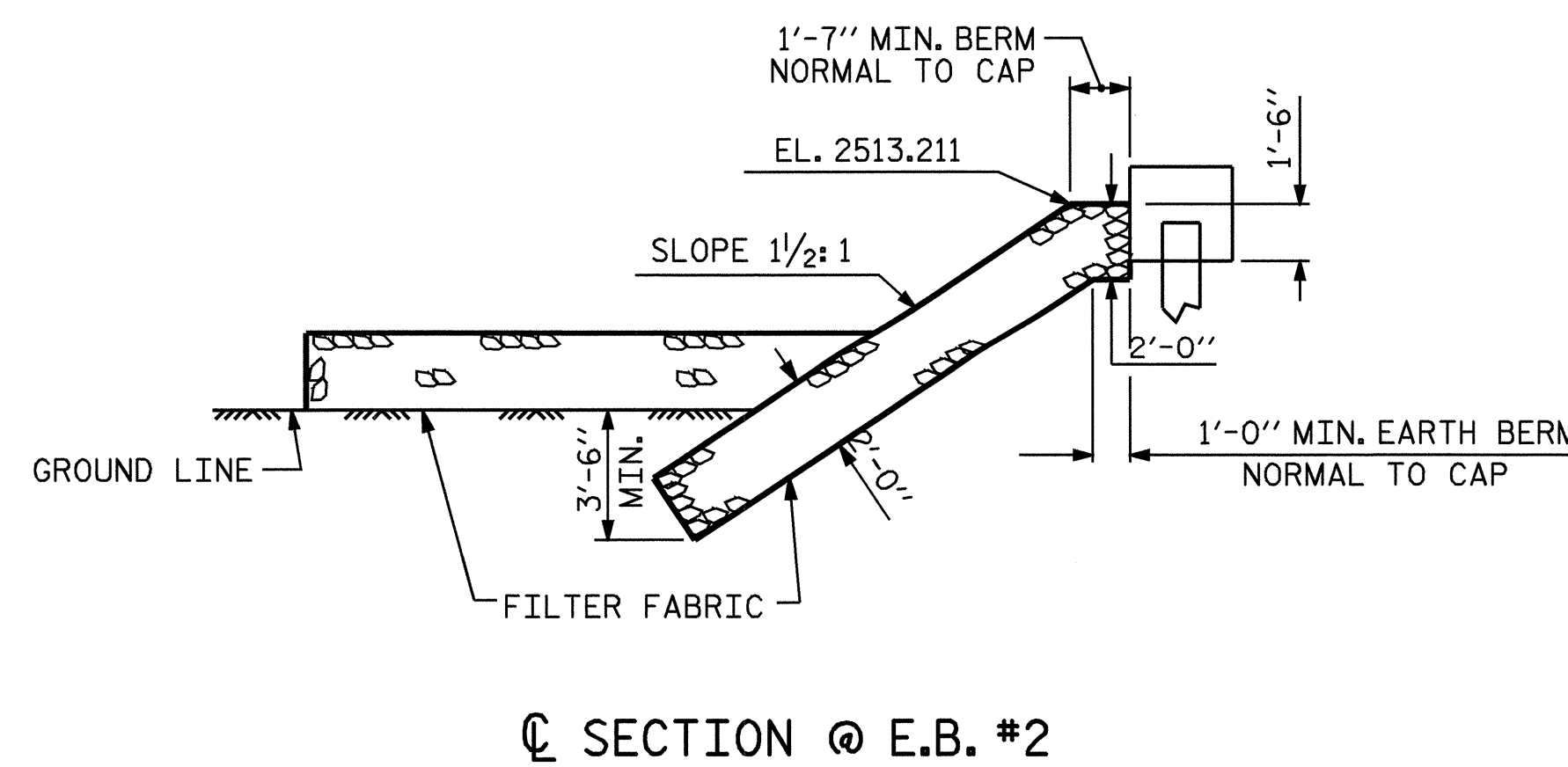
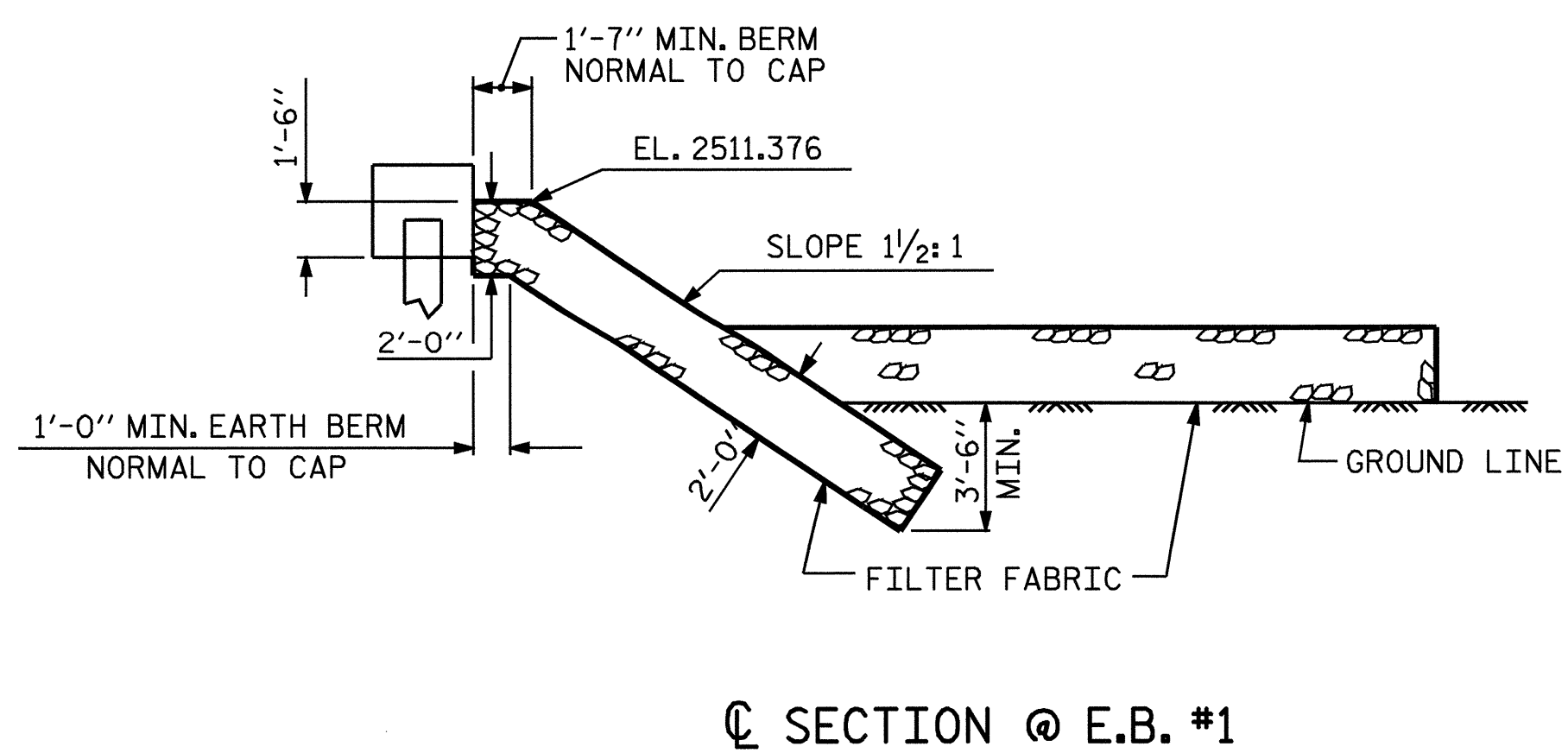
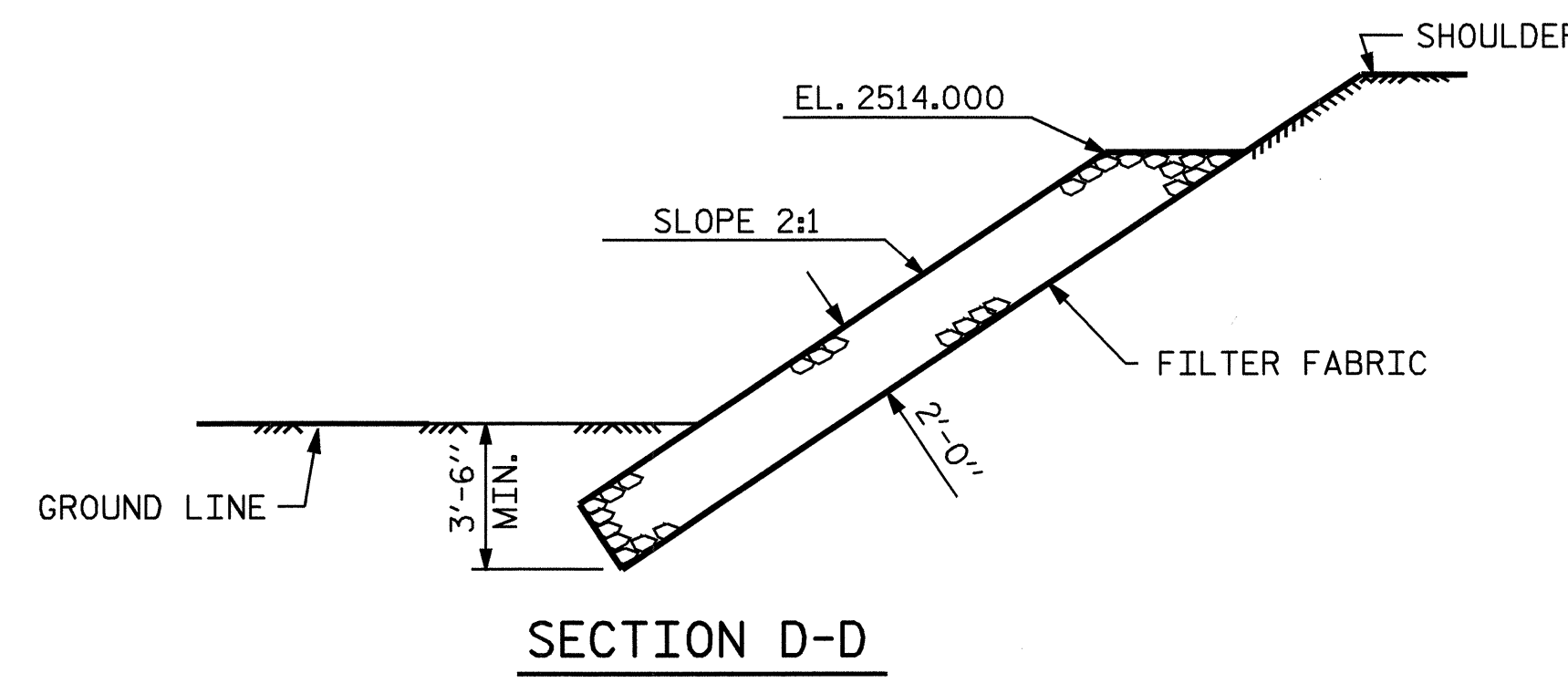
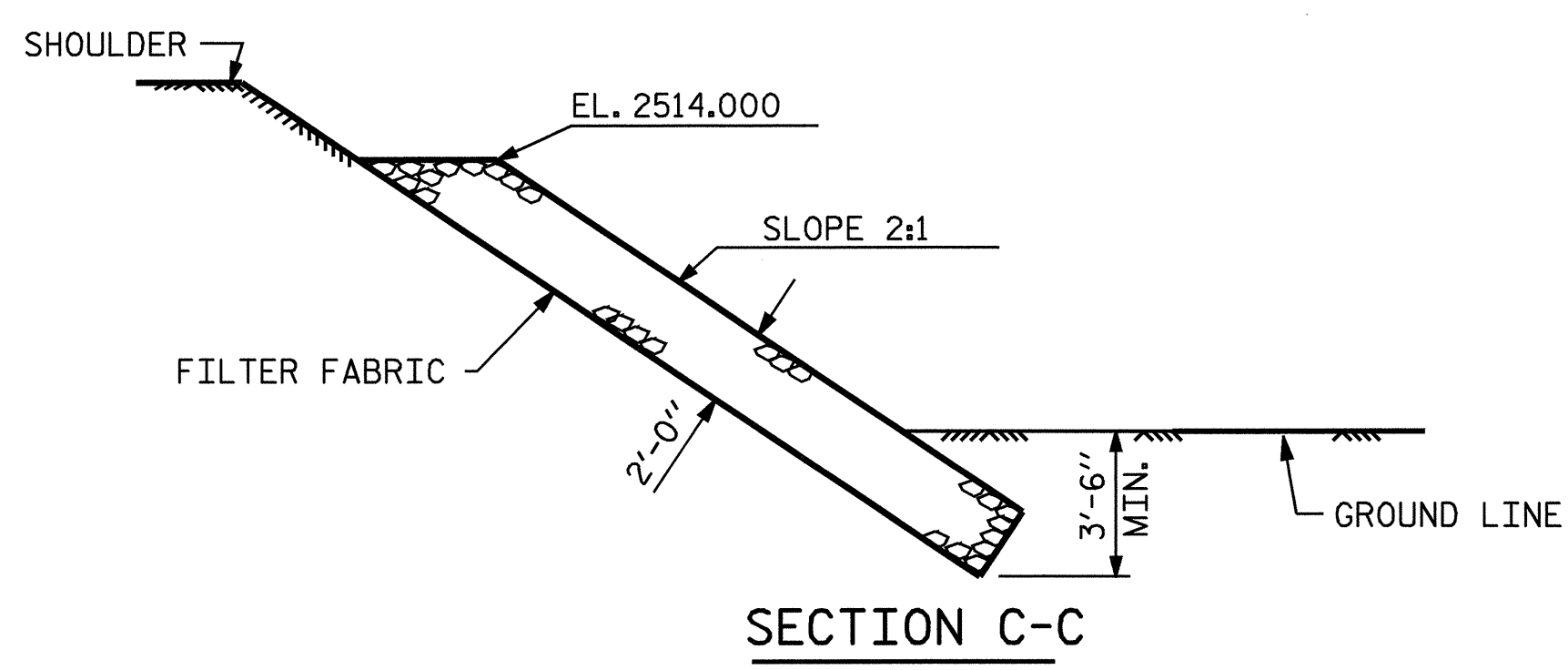
NOTES

FOR BERM WIDTH DIMENSIONS, SEE GENERAL DRAWING.



| ESTIMATED QUANTITIES | | |
|----------------------------|--------------------------------------|----------------------------|
| BRIDGE @ STA. 17+06.00 -L- | PLAIN RIP RAP CLASS II (2'-0" THICK) | FILTER FABRIC FOR DRAINAGE |
| | TONS | SQUARE YARDS |
| END BENT 1 | 94 | 103 |
| END BENT 2 | 136 | 151 |

PLAN
(BERM RIP RAPPED)



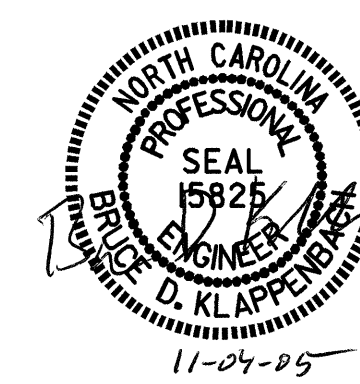
SECTION @ E.B. #1
BERM RIP RAPPED

SECTION @ E.B. #2
BERM RIP RAPPED

PROJECT NO. B-4180
 MACON COUNTY
 STATION: 17+06.00 -L-

SHEET 1 OF 1

| | | | | | |
|--|-----|-------|-----|-----|-----------------|
| STATE OF NORTH CAROLINA DEPARTMENT OF TRANSPORTATION RALEIGH | | | | | |
| STANDARD RIP RAP DETAILS | | | | | |
| REVISIONS | | | | | |
| NO. | BY: | DATE: | NO. | BY: | DATE: |
| 1 | | | 3 | | |
| 2 | | | 4 | | |
| SHEET NO. S-15 | | | | | TOTAL SHEETS 18 |



ASSEMBLED BY : J.B. WILSON DATE : 10/19/04
 CHECKED BY : G.M. PATTERSON DATE : 10/22/04
 DRAWN BY : FCJ 2/88 REV. 7/17/98 REK/RWW
 CHECKED BY : ARB 8/88 REV. 8/16/99 RWW/LES
 REV. 10/17/00 RWW/LES

04-NOV-2005 14:57
 R:\Structures\jwilson\Microstation\B4180.sd_RR_01.dgn
 mshakh