

NOTES

THE GUARDRAIL ANCHOR ASSEMBLY SHALL CONSIST OF A 1/4" HOLD DOWN PLATE AND 7 - 7/8" Ø BOLTS WITH NUTS AND WASHERS.

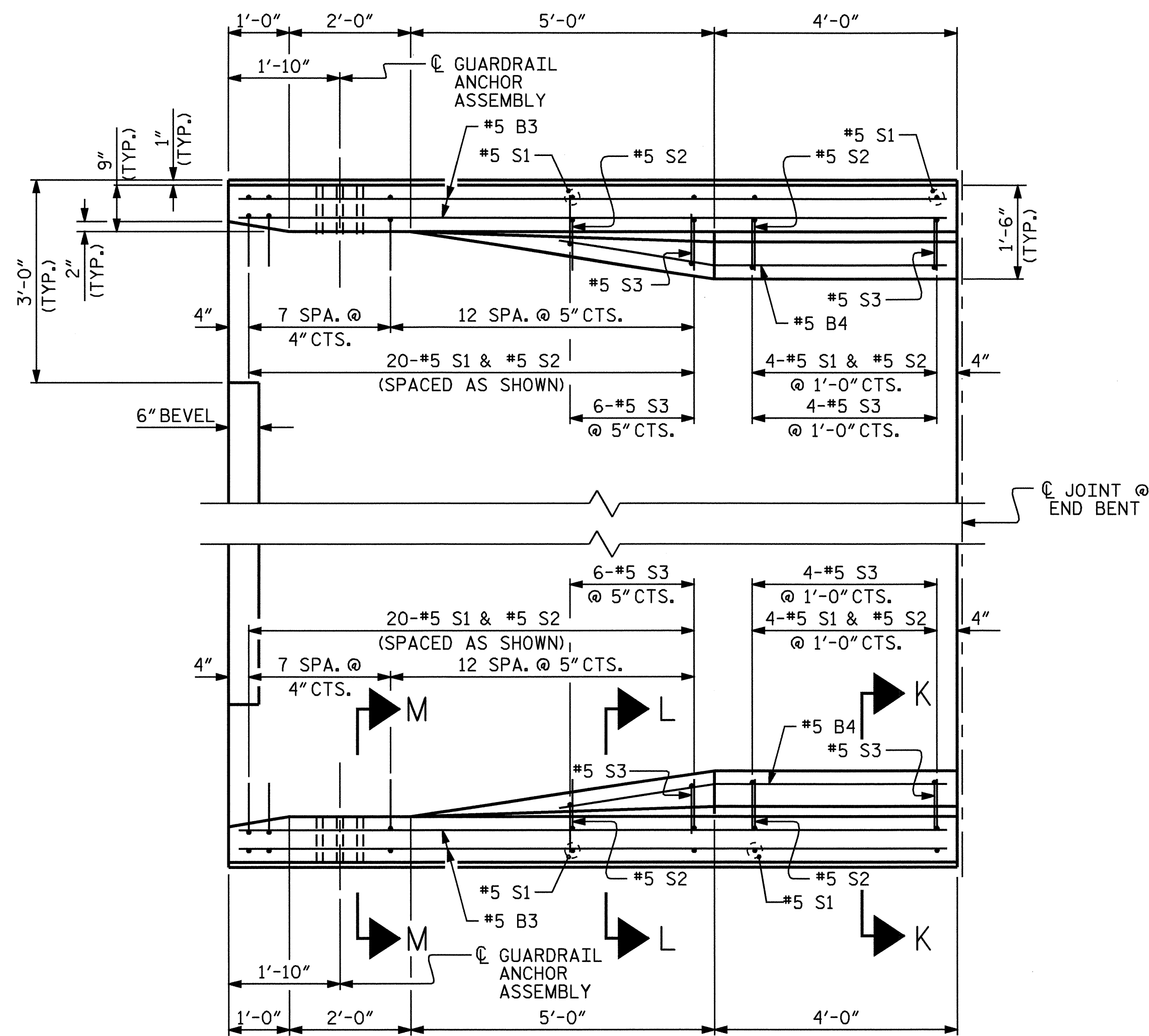
THE HOLD-DOWN PLATE SHALL CONFORM TO AASHTO M270 GRADE 36. AFTER FABRICATION, THE HOLD-DOWN PLATE SHALL BE HOT-DIP GALVANIZED IN ACCORDANCE WITH AASHTO M111.

BOLTS SHALL CONFORM TO THE REQUIREMENTS OF ASTM A307 AND NUTS SHALL CONFORM TO THE REQUIREMENTS OF AASHTO M291. BOLTS, NUTS AND WASHERS SHALL BE GALVANIZED. AT THE CONTRACTOR'S OPTION, STAINLESS STEEL BOLTS, NUTS AND WASHERS MAY BE USED AS AN ALTERNATE FOR THE 7/8" Ø GALVANIZED BOLTS, NUTS AND WASHERS. THEY SHALL CONFORM TO OR EXCEED THE MECHANICAL REQUIREMENTS OF ASTM A307. THE USE OF THIS ALTERNATE SHALL BE APPROVED BY THE ENGINEER.

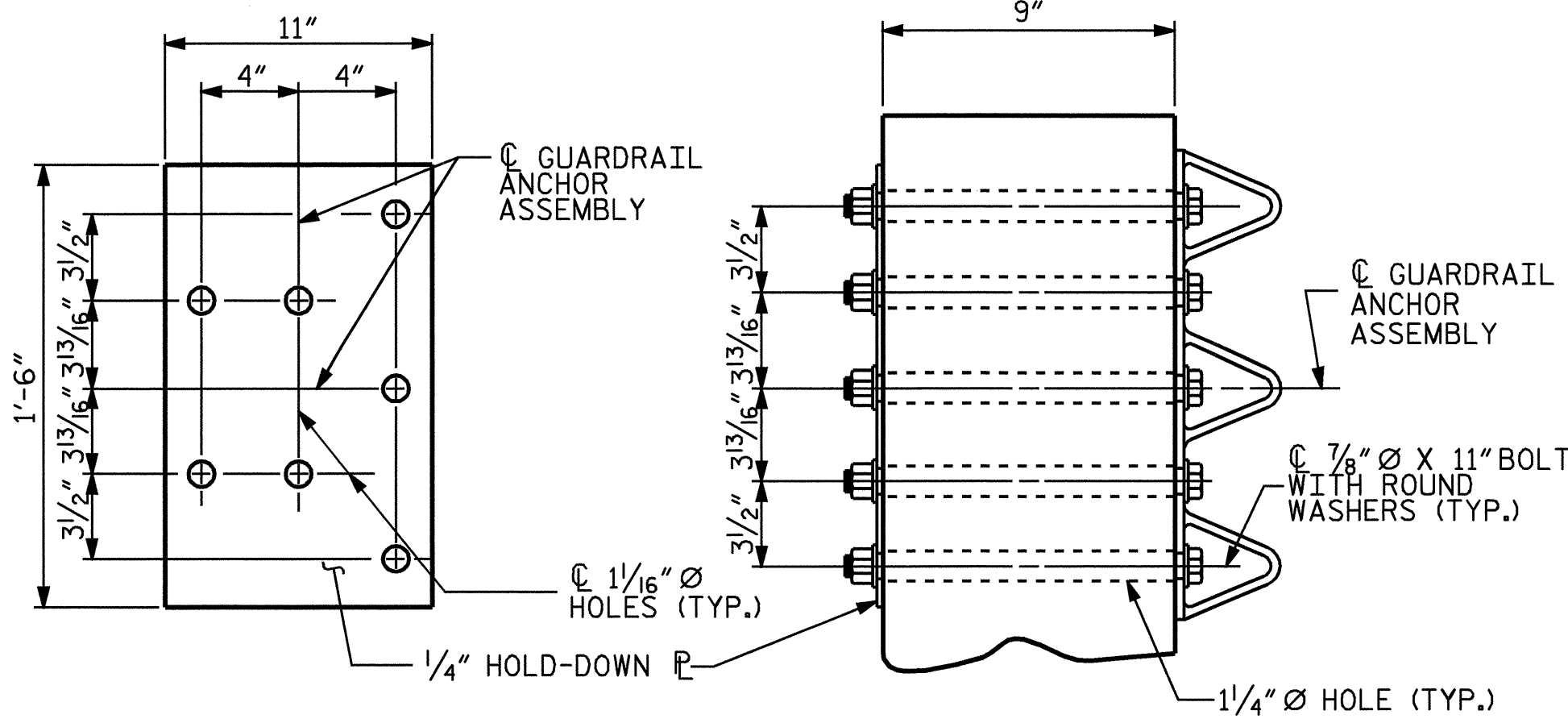
AFTER INSTALLATION, THE EXPOSED THREAD OF THE BOLT SHALL BE BURRED WITH A SHARP POINTED TOOL.

THE COST OF THE GUARDRAIL ANCHOR ASSEMBLIES WITH BOLTS, NUTS AND WASHERS COMPLETE IN PLACE, SHALL BE INCLUDED IN THE LUMP SUM CONTRACT PRICE BID FOR BRIDGE APPROACH SLABS.

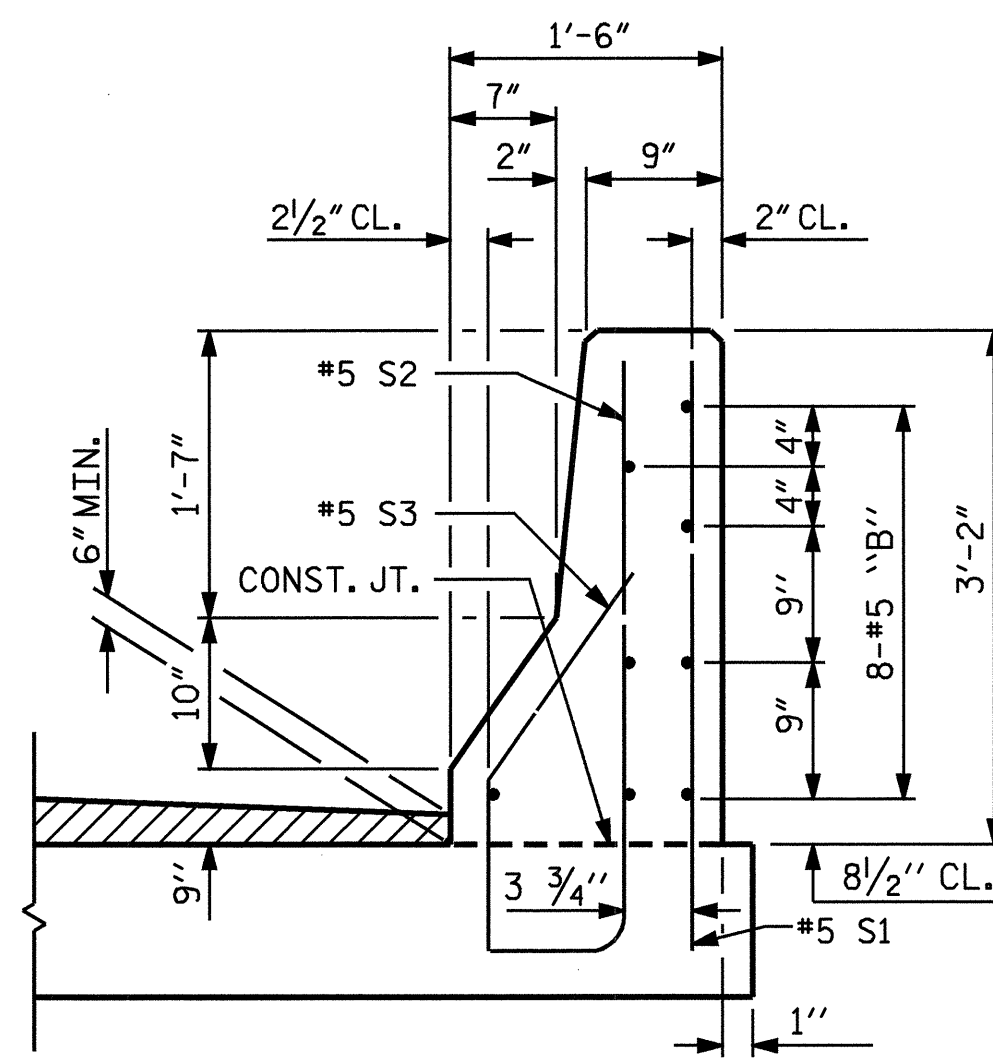
THE 1 1/4" Ø HOLES SHALL BE FORMED OR DRILLED WITH A CORE BIT. IMPACT TOOLS WILL NOT BE PERMITTED. ANY CONCRETE DAMAGED BY THIS WORK SHALL BE REPAIRED TO THE SATISFACTION OF THE ENGINEER.



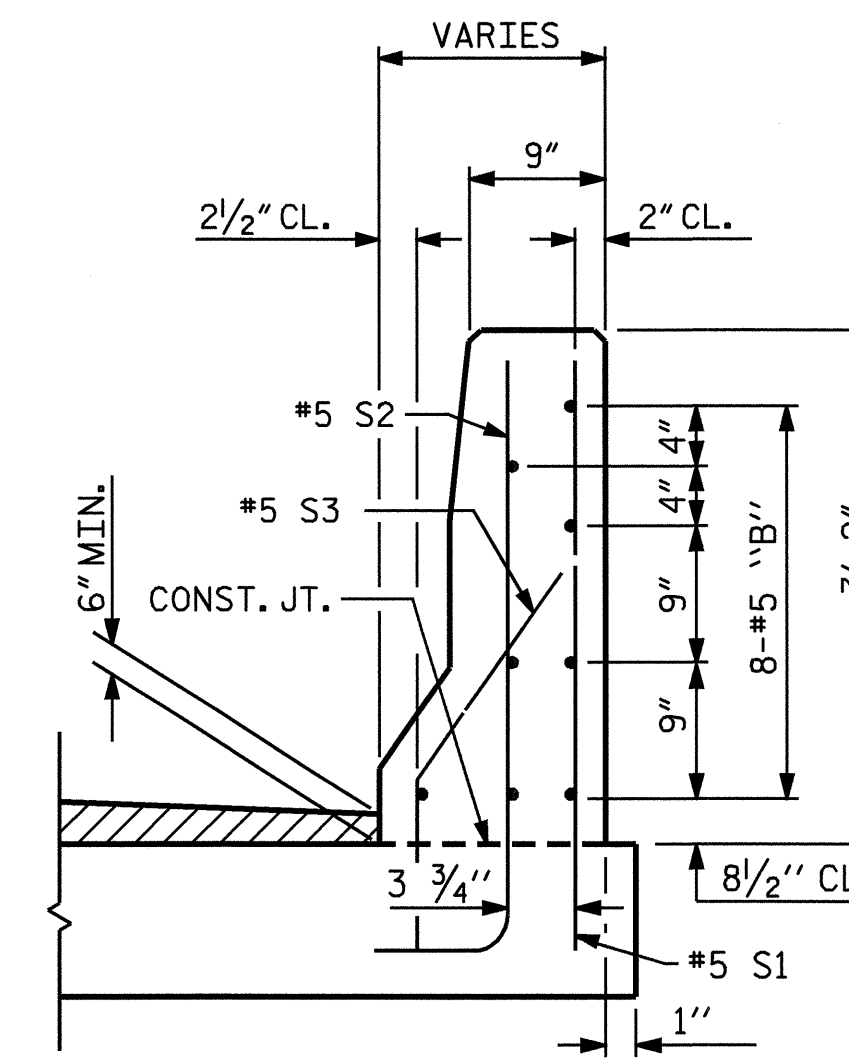
PLAN  
BEGIN APPROACH SLAB SHOWN,  
END APPROACH SLAB SIMILAR



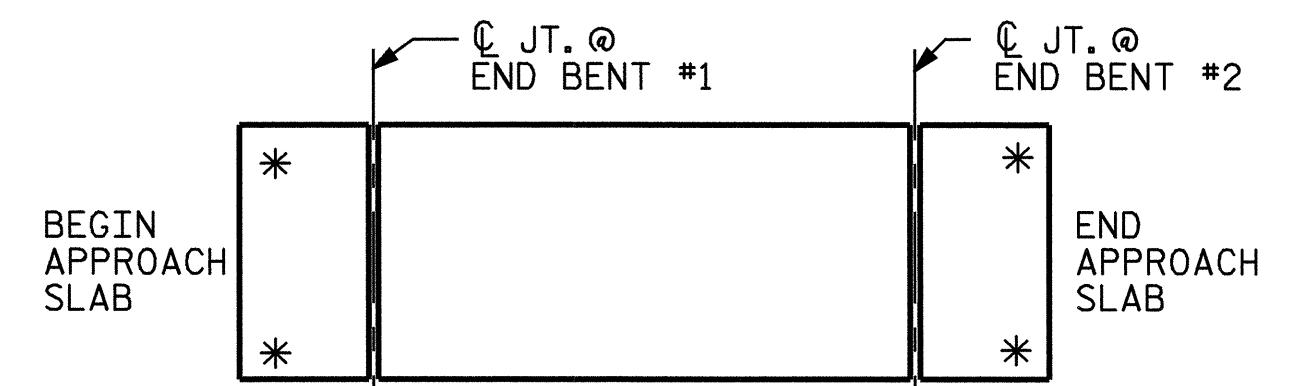
PLAN SECTION E-E  
GUARDRAIL ANCHOR ASSEMBLY DETAILS



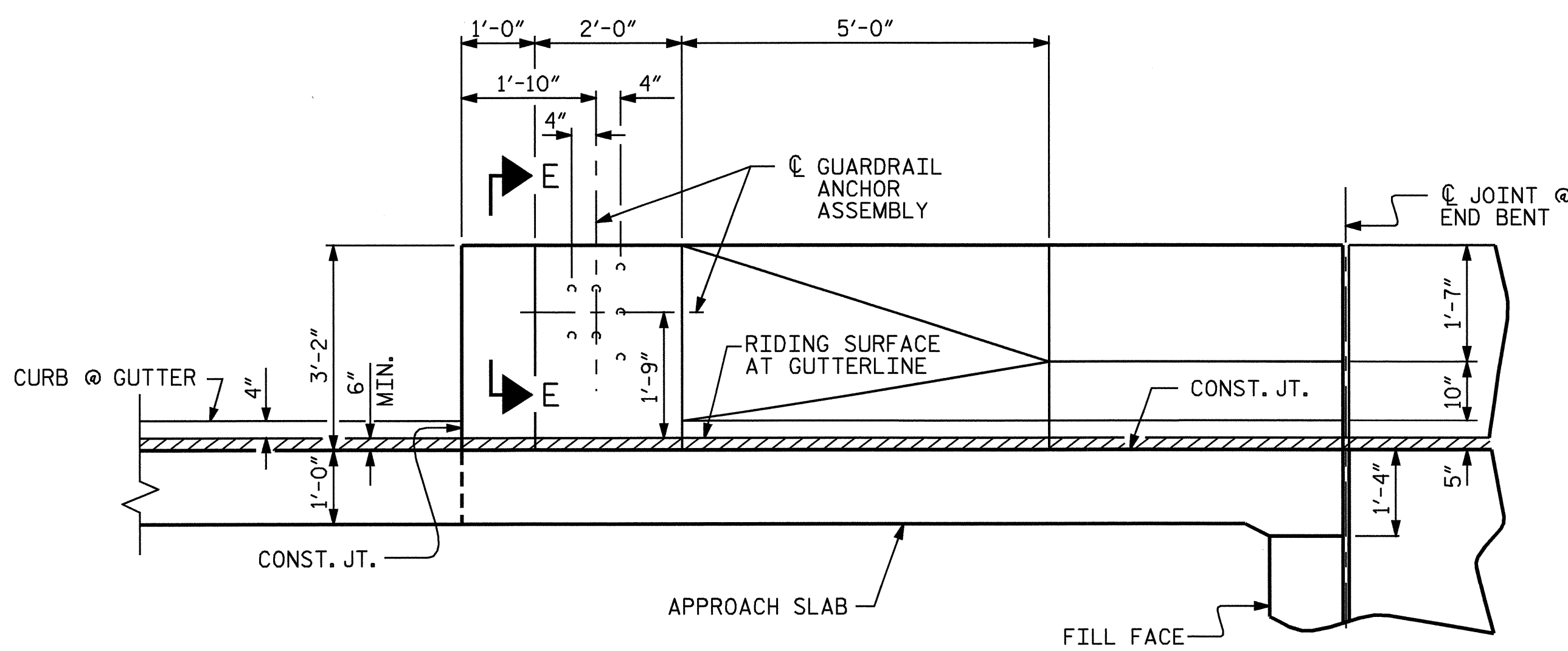
SECTION K-K



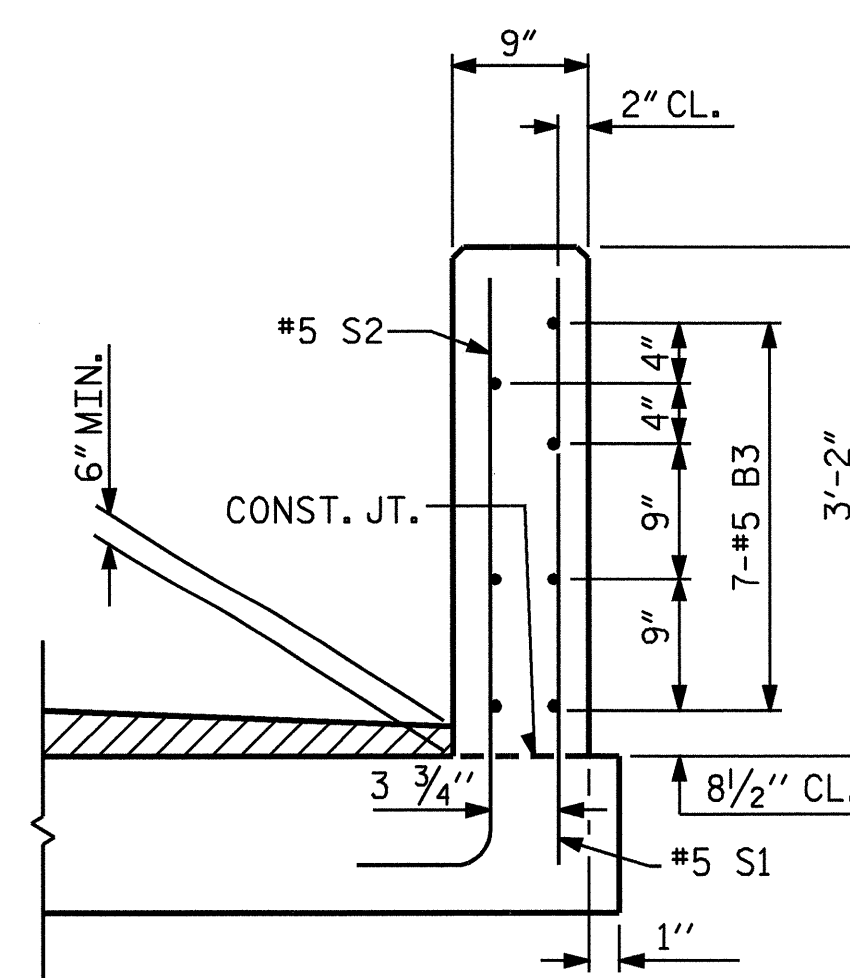
SECTION L-L



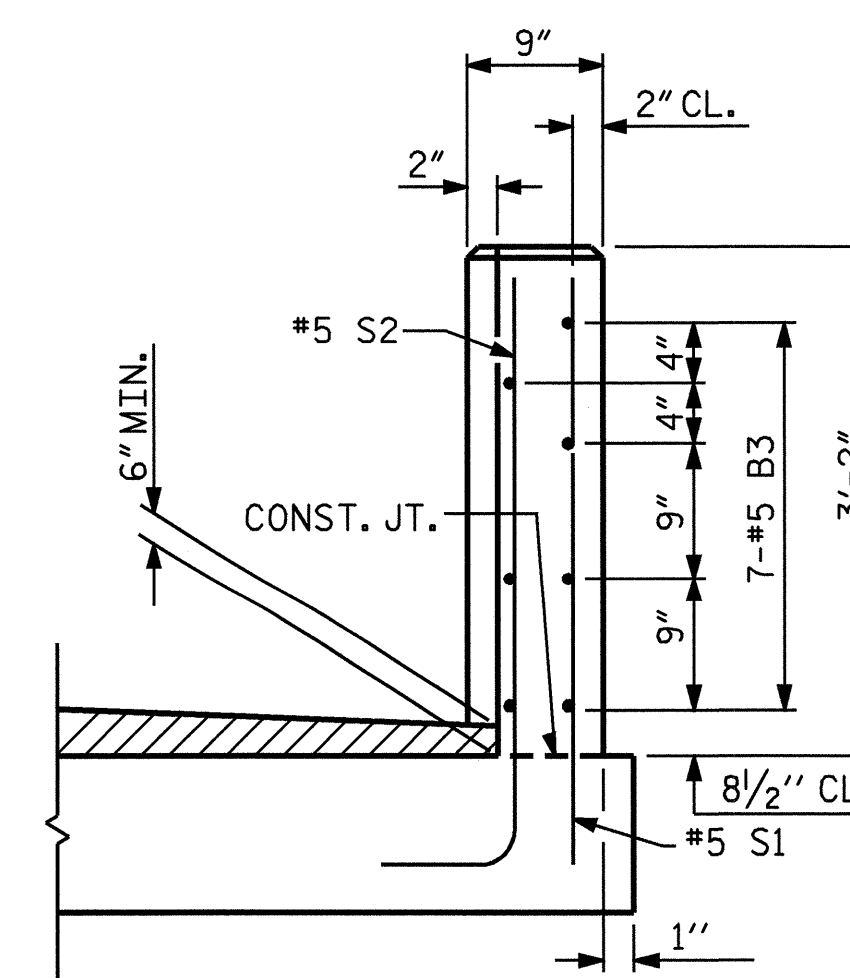
SKETCH SHOWING POINTS OF ATTACHMENT  
\* INDICATES POINTS OF ATTACHMENT



ELEVATION



SECTION M-M



END VIEW

PROJECT NO. B-4180  
MACON COUNTY  
STATION: 17+06.00 -L-

SHEET 2 OF 3

STATE OF NORTH CAROLINA  
DEPARTMENT OF TRANSPORTATION  
RALEIGH  
STANDARD  
BRIDGE APPROACH SLAB  
DETAILS FOR PRESTRESSED  
CONCRETE BOX BEAM  
WITH BARRIER RAIL



ASSEMBLED BY: M. G. SHAIKH DATE: 8/3/05  
CHECKED BY: D. A. GLADDEN DATE: 8/24/05  
DRAWN BY: LES 8/01 REV. 5/7/03R RWW/JTE  
CHECKED BY: RDR 8/01

REVISIONS						SHEET NO.
NO.	BY:	DATE:	NO.	BY:	DATE:	S-17
1			3			TOTAL SHEETS
2			4			18

STD. NO. BAS9