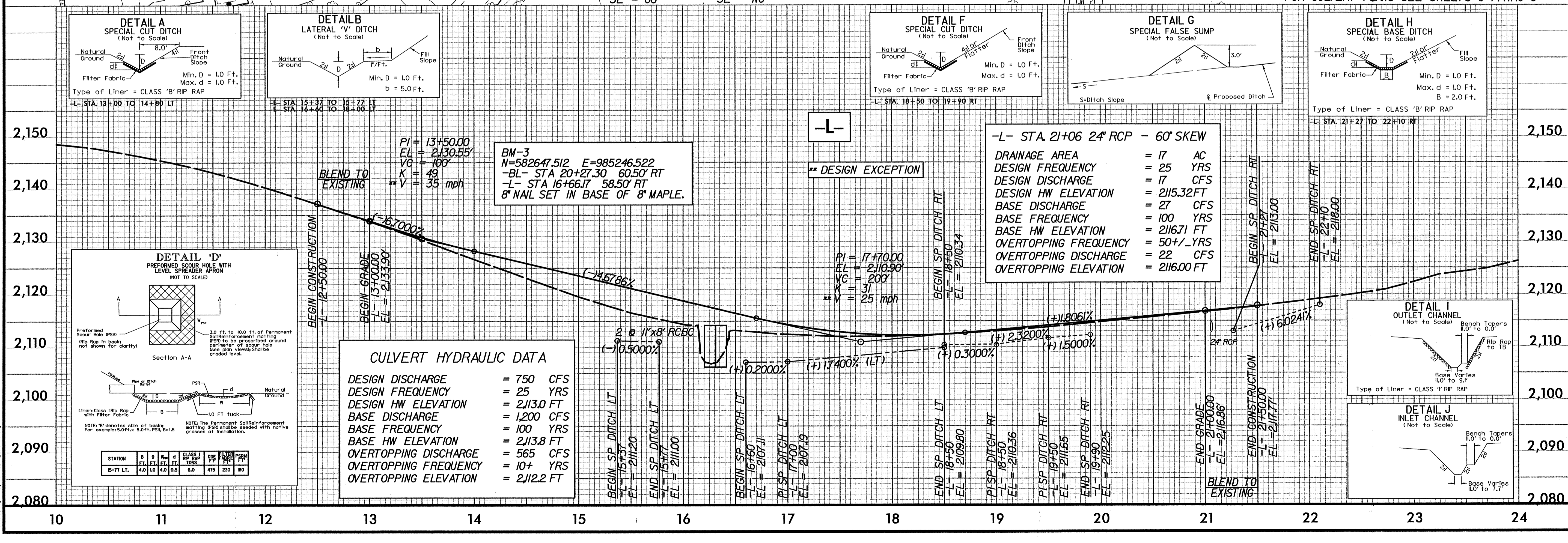
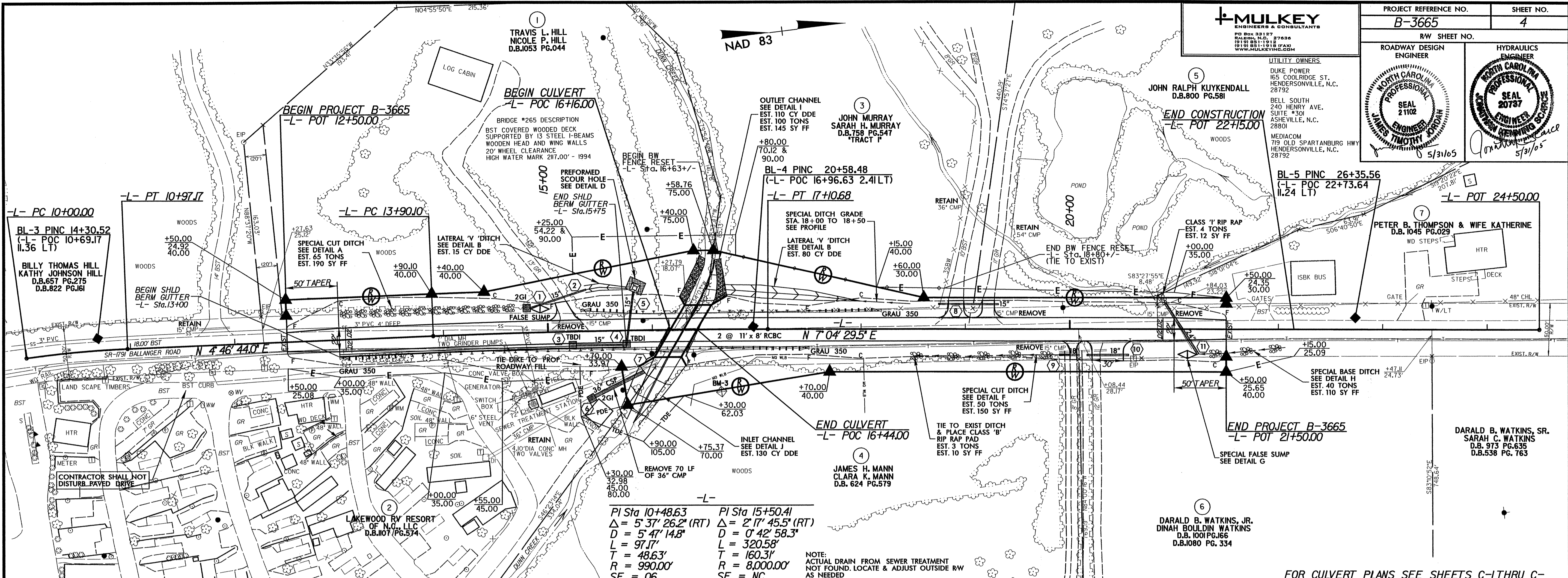


5/27/2005 10:36:48 AM
 C:\Users\jw\Documents\Projects\B-3665\B-3665.dwg



MULKEY ENGINEERS & CONSULTANTS
 10 BOX 22127
 RALEIGH, N.C. 27638
 (919) 851-1918 (FAX)
 WWW.MULKEYINC.COM

PROJECT REFERENCE NO. **B-3665** SHEET NO. **4**
 RW SHEET NO.

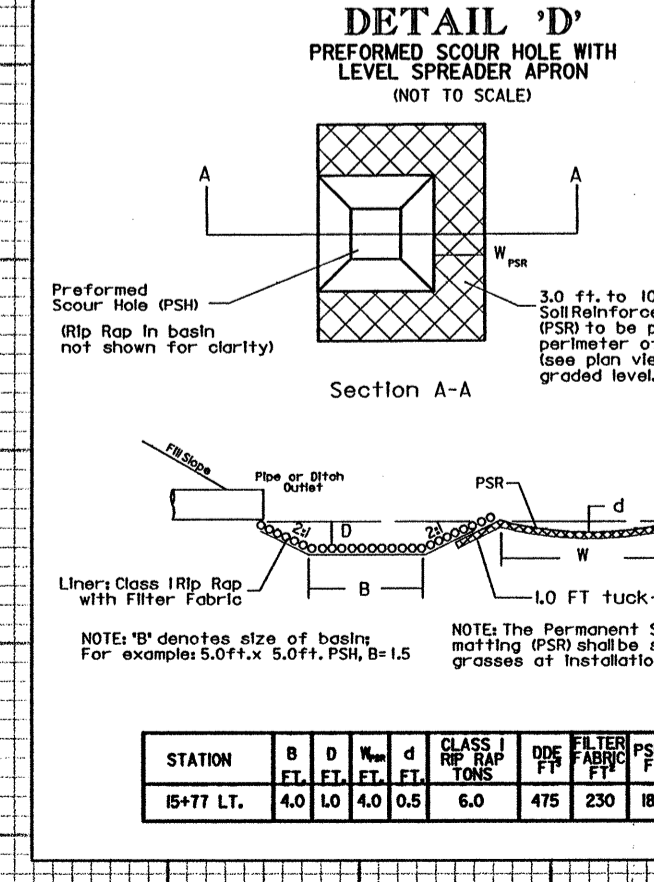
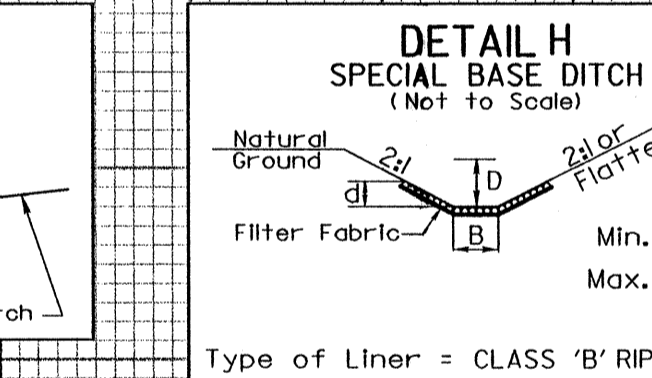
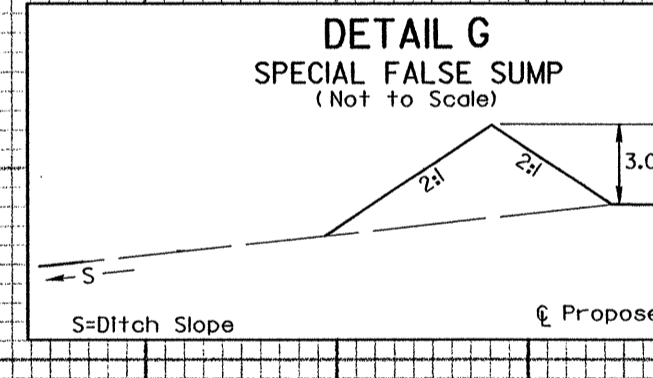
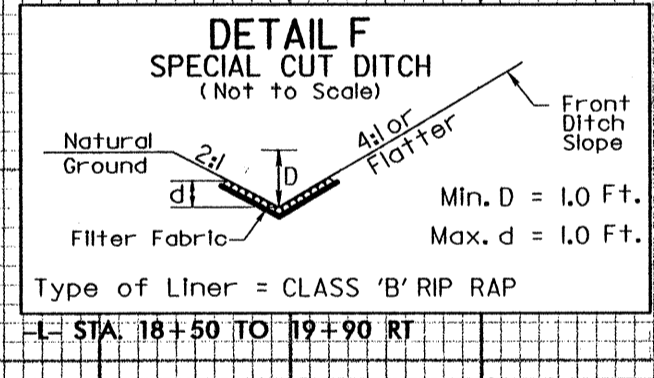
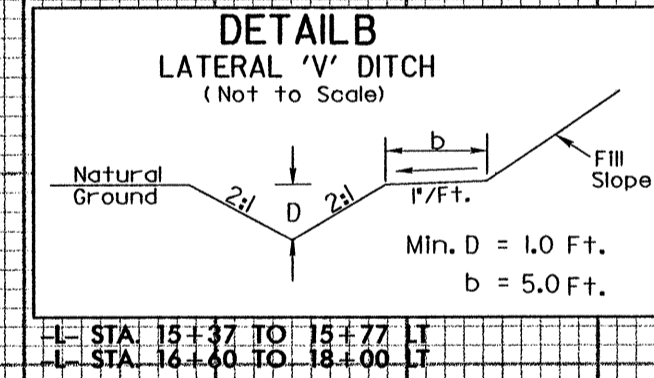
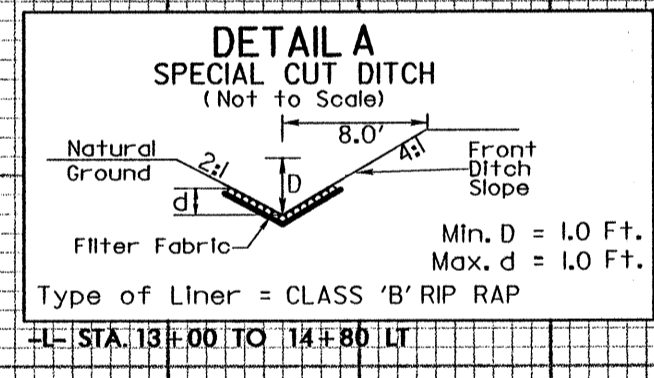
ROADWAY DESIGN ENGINEER
 JOHN RALPH KUYKENDALL
 D.B.800 P.581

HYDRAULICS ENGINEER
 JOHN MURRAY
 SARAH H. MURRAY
 D.B.758 P.547 TRACT 1

UTILITY OWNERS:
 DUKE POWER
 165 COOLIDGE ST.
 HENDERSONVILLE, N.C.
 28792
 BELL SOUTH
 240 HENRY AVE.
 SUITE #301
 ASHEVILLE, N.C.
 28801
 MEDIACOM
 719 OLD SPARTANBURG HWY
 HENDERSONVILLE, N.C.
 28792

SEAL 21102
 JAMES TIMOTHY JORDAN
 5/31/05

SEAL 20737
 JOHN MURRAY
 5/31/05



CULVERT HYDRAULIC DATA

DESIGN DISCHARGE	= 750 CFS
DESIGN FREQUENCY	= 25 YRS
DESIGN HW ELEVATION	= 2113.0 FT
BASE DISCHARGE	= 1,200 CFS
BASE FREQUENCY	= 100 YRS
BASE HW ELEVATION	= 2113.8 FT
OVERTOPPING DISCHARGE	= 565 CFS
OVERTOPPING FREQUENCY	= 10+ YRS
OVERTOPPING ELEVATION	= 2112.2 FT

-L- STA. 21+06 24\"/>

