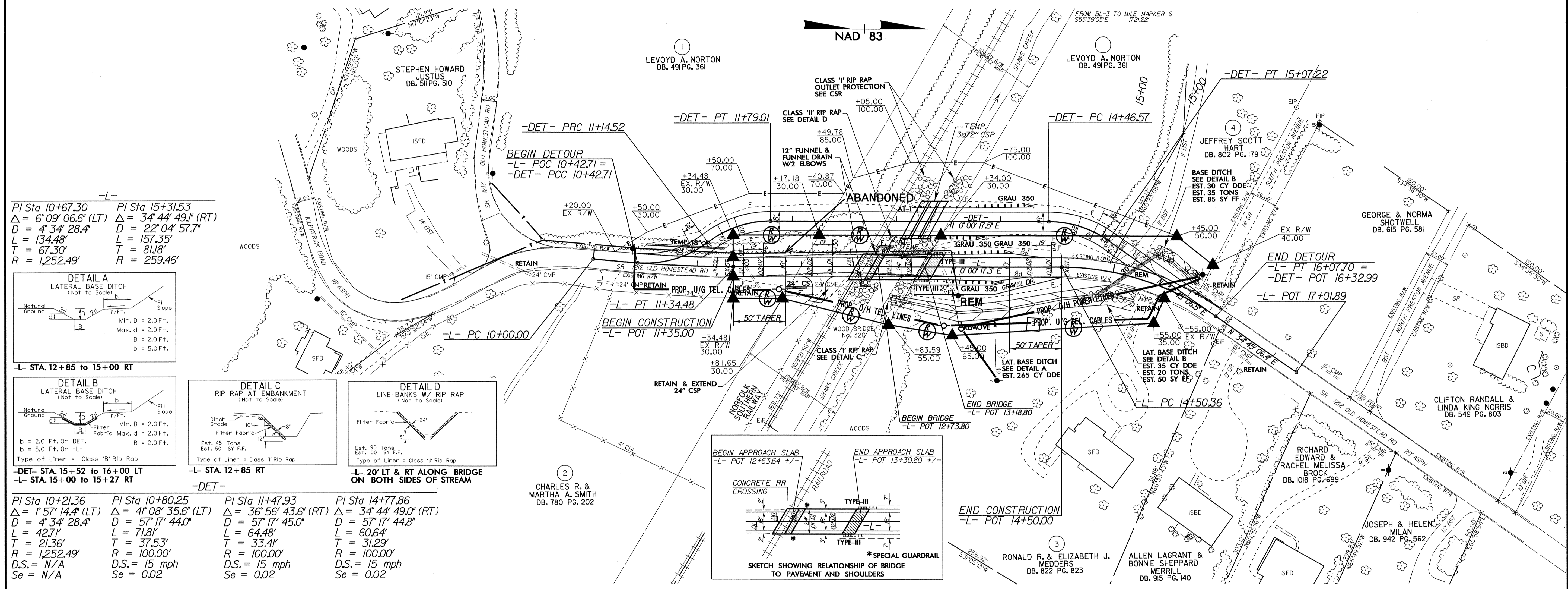


UTILITIES BY OTHERS

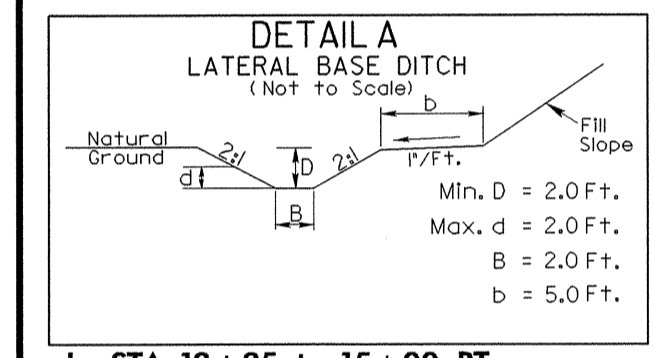
NOTE:
ALL PROPOSED UTILITY WORK
SHOWN ON THIS SHEET WILL
BE DONE BY OTHERS

8/17/99
24-MAN-2005...
C:\Users\psh\dgn

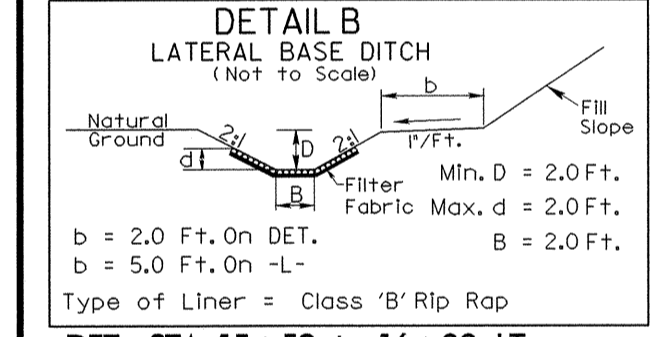


-L-

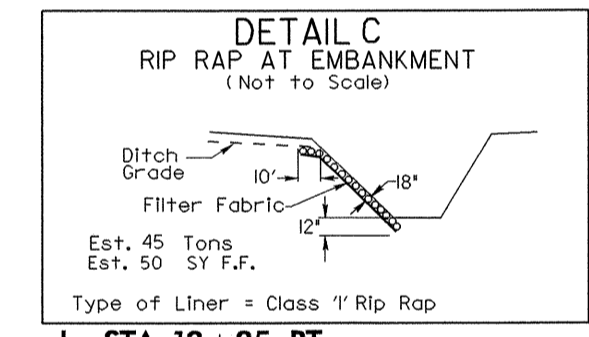
PI Sta 10+67.30	PI Sta 15+31.53
$\Delta = 6' 09'' 06.6''$ (LT)	$\Delta = 34' 44'' 49.1''$ (RT)
$D = 4' 34'' 28.4''$	$D = 22' 04'' 57.7''$
$L = 134.48'$	$L = 157.35'$
$T = 67.30'$	$T = 81.8'$
$R = 1,252.49'$	$R = 259.46'$



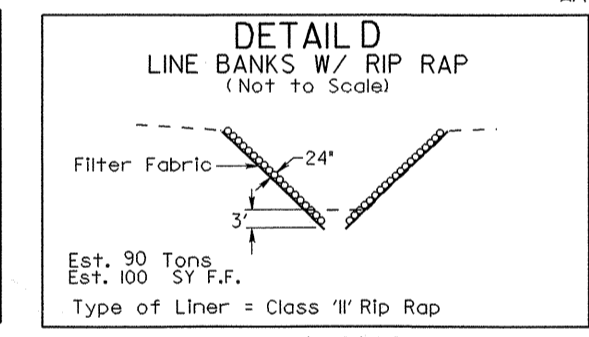
-L- STA. 12+85 to 15+00 RT



-DET- STA. 15+52 to 16+00 LT
-L- STA. 15+00 to 15+27 RT

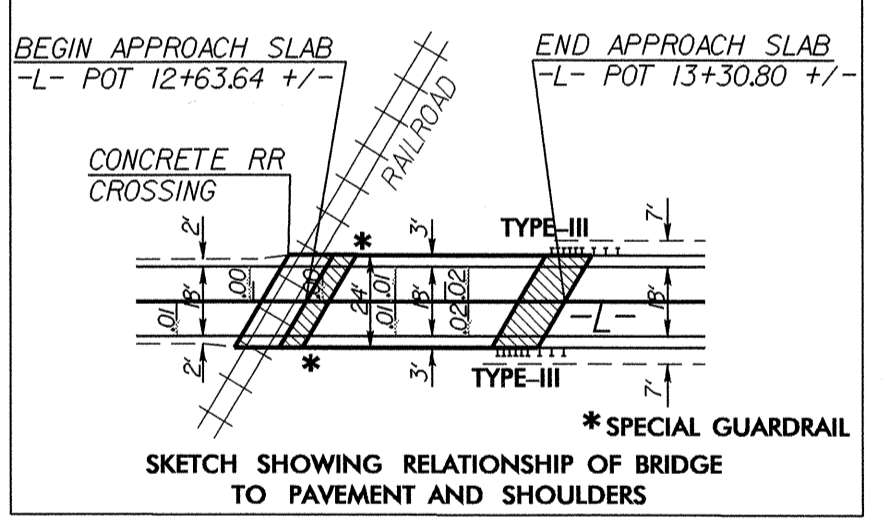


-L- STA. 12+85 RT



-L- 20' LT & RT ALONG BRIDGE ON BOTH SIDES OF STREAM

PI Sta 10+21.36	PI Sta 10+80.25	PI Sta 11+47.93	PI Sta 14+77.86
$\Delta = 1' 57'' 14.4''$ (LT)	$\Delta = 4' 08'' 35.6''$ (LT)	$\Delta = 36' 56'' 43.6''$ (RT)	$\Delta = 34' 44'' 49.0''$ (RT)
$D = 4' 34'' 28.4''$	$D = 57' 17'' 44.0''$	$D = 57' 17'' 45.0''$	$D = 57' 17'' 44.8''$
$L = 42.71'$	$L = 71.81'$	$L = 64.48'$	$L = 60.64'$
$T = 21.36'$	$T = 37.53'$	$T = 33.41'$	$T = 31.29'$
$R = 1,252.49'$	$R = 100.00'$	$R = 100.00'$	$R = 100.00'$
D.S. = N/A	D.S. = 15 mph	D.S. = 15 mph	D.S. = 15 mph
Se = N/A	Se = 0.02	Se = 0.02	Se = 0.02



END CONSTRUCTION
-L- POT 14+50.00