

14-MAY-2005 14:32
w:\Special_Details\erickward\stds\02\stds to Special_Details\english\86202\0862d02.dgn
erickward AT 08188660

5/14/99

STATE OF
NORTH CAROLINA
DEPT. OF TRANSPORTATION
DIVISION OF HIGHWAYS
RALEIGH, N.C.

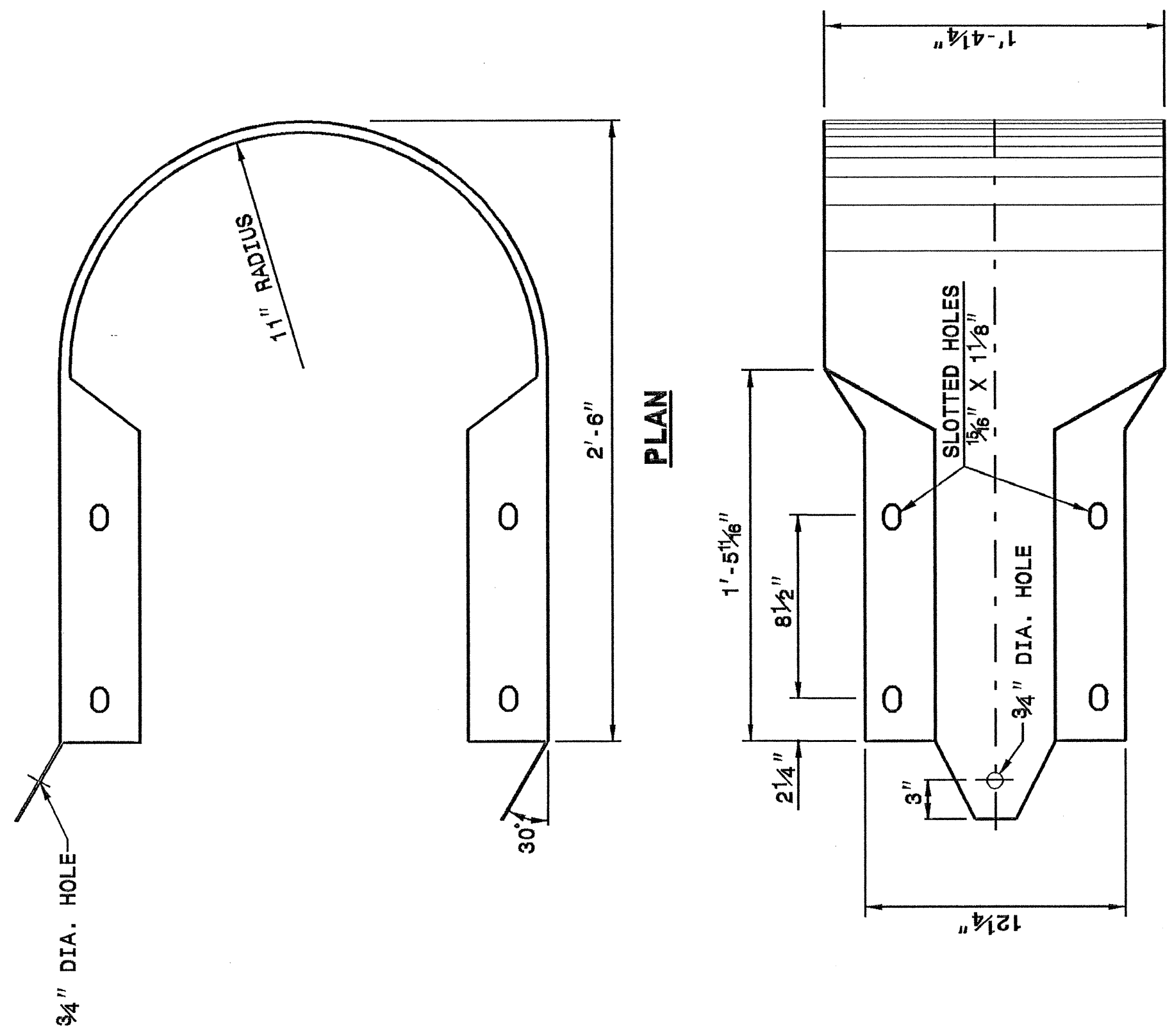
ENGLISH DETAIL DRAWING FOR
GUARDRAIL INSTALLATION

SHEET 7 OF 7
862D02

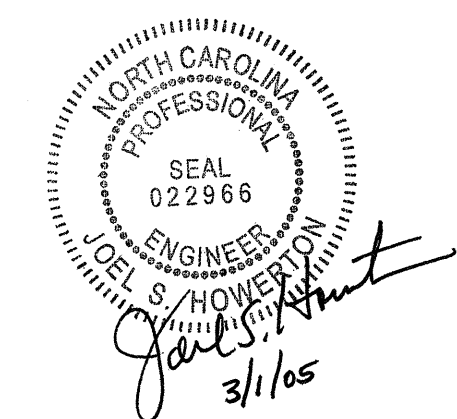
STATE OF
NORTH CAROLINA
DEPT. OF TRANSPORTATION
DIVISION OF HIGHWAYS
RALEIGH, N.C.

ENGLISH DETAIL DRAWING FOR
GUARDRAIL INSTALLATION

SHEET 7 OF 7
862D02



ELEVATION
BUFFERED END SECTION



DESIGN SERVICES UNIT
STANDARDS AND SPECIAL DESIGN
Office 919-250-4128 FAX 919-250-4119

SEE PLATE FOR TITLE

ORIGINAL BY: 2002 STD. 862.02 DATE: _____
MODIFIED BY: E.E. WARD DATE: 02-09-03
CHECKED BY: _____ DATE: _____
FILE SPEC.: /usr/stds/02todetail/engLish/86202/862d02.dgn