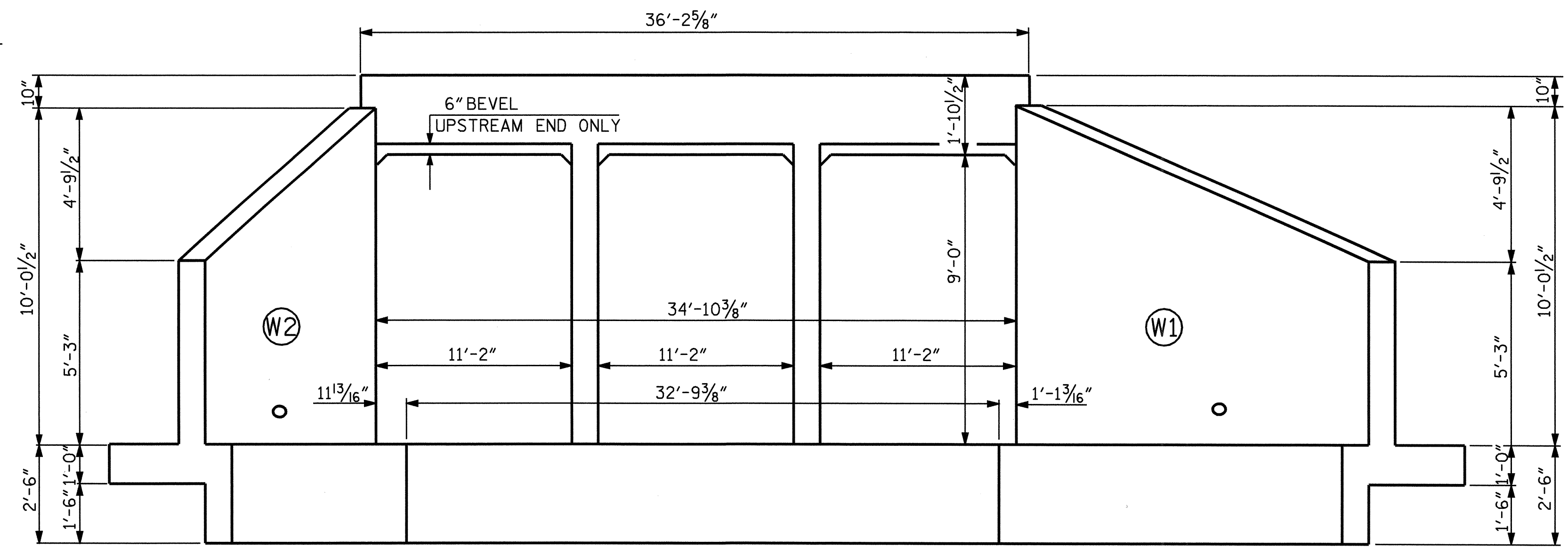
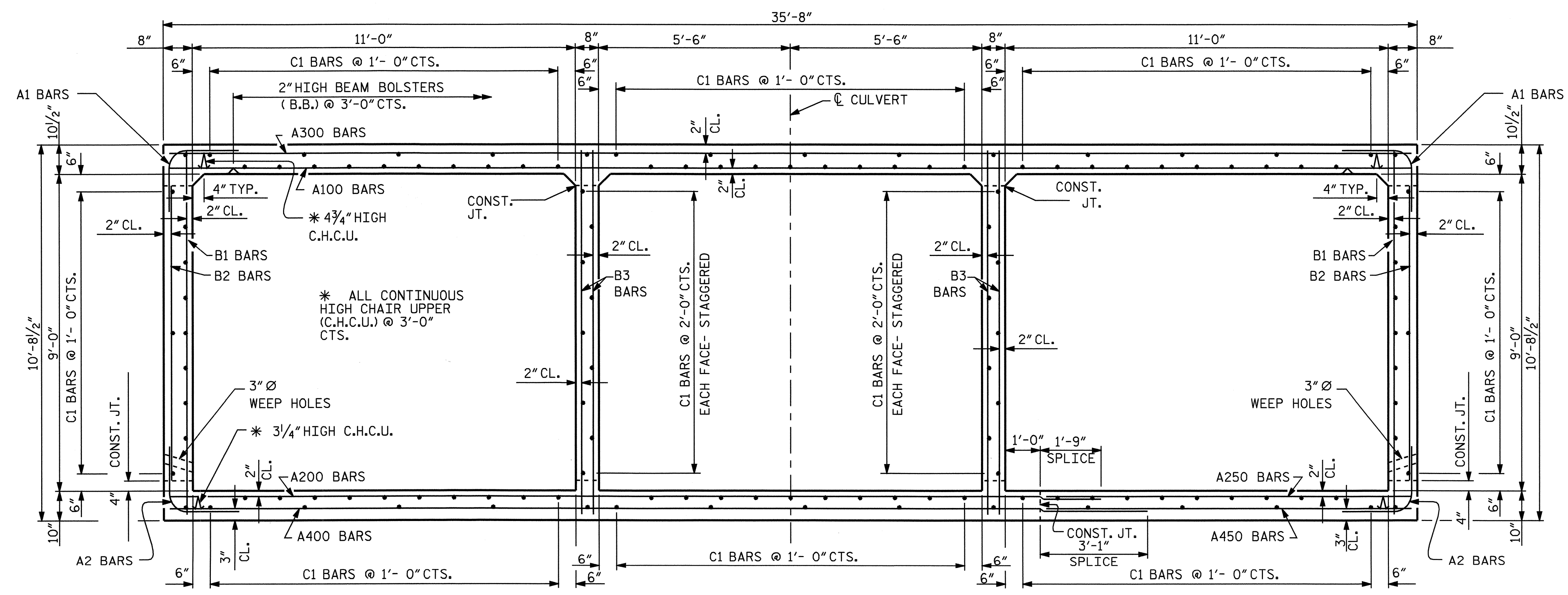


EXTERIOR WALL INTERIOR WALL
 CULVERT SECTION NORMAL TO ROADWAY



END ELEVATION NORMAL TO SKEW



RIGHT ANGLE SECTION OF BARREL

THERE ARE 130 "C" BARS IN SECTION OF BARREL.
 (LOOKING UPSTREAM)

PROJECT NO. B-3662
HENDERSON COUNTY
 STATION: 18+28.00 -L-

SHEET 2 OF 6

STATE OF NORTH CAROLINA
 DEPARTMENT OF TRANSPORTATION
 RALEIGH

TRIPLE 11 FT. X 9 FT.
 CONCRETE BOX CULVERT
 80° SKEW



REVISED 11-9-99 BY M.M. CHECKED BY R.W.W.
 REVISED 8-28-92 BY E.L.R. BY G.R.P.
 REDRAWN 10-16-89 BY R.W.W. BY A.R.B.

ASSEMBLED BY : CR YARBROUGH	DATE : 04/05	SPECIAL
CHECKED BY : A. SORSENGINH	DATE : 04/05	
DRAWN BY : R.F. HOLMES	DATE : NOV. 1971	STANDARD
CHECKED BY : J.A. JOHNSON	DATE : NOV. 1971	

REVISIONS						SHEET NO.
NO.	BY:	DATE:	NO.	BY:	DATE:	C-2
1			3			TOTAL SHEETS
2			4			6