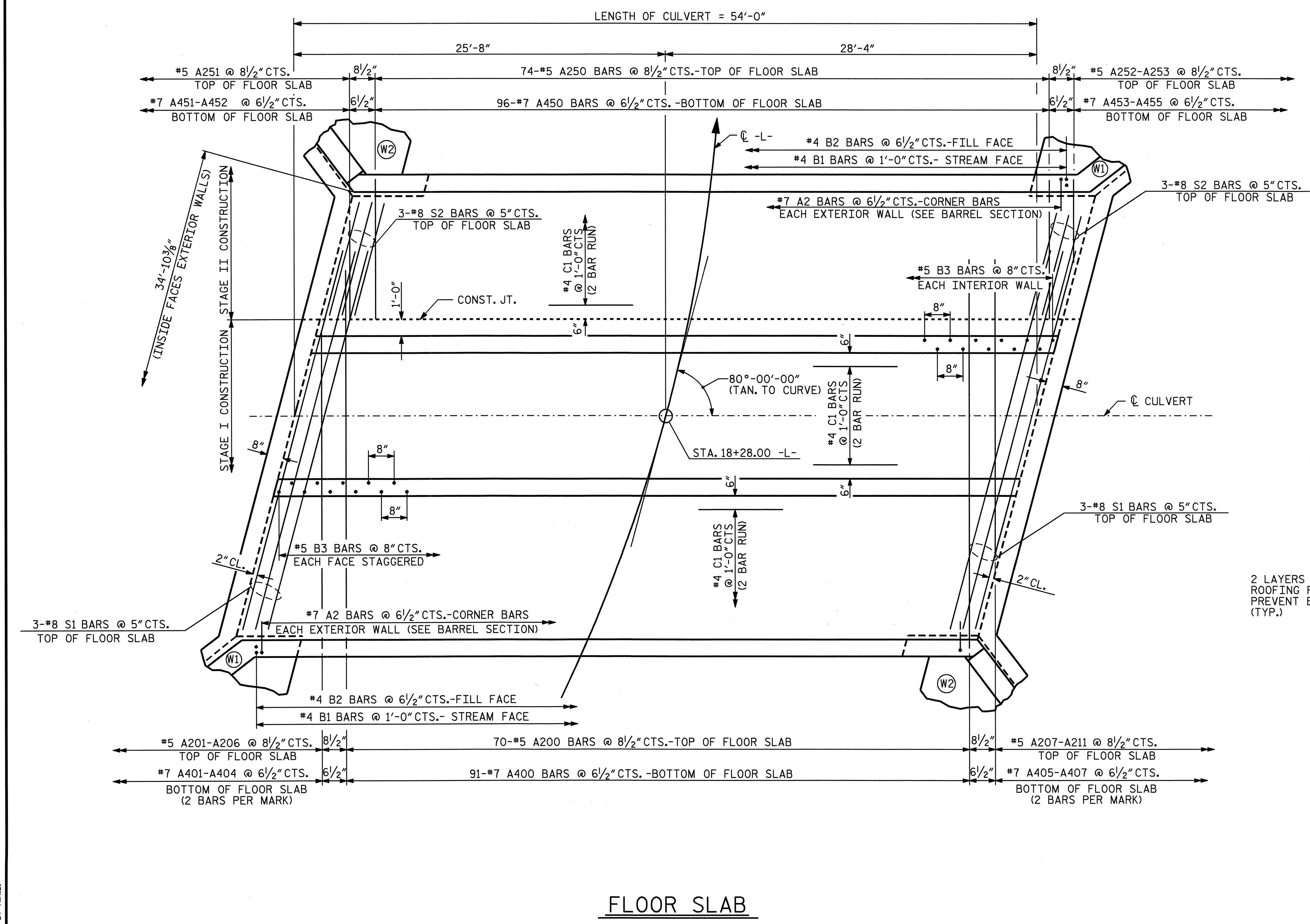


PROJECT NO. B-3662
HENDERSON COUNTY
 STATION: 18+28.00 -L-
 SHEET 3 OF 6

STATE OF NORTH CAROLINA DEPARTMENT OF TRANSPORTATION RALEIGH					
TRIPLE 11 FT. X 9 FT. CONCRETE BOX CULVERT 80° SKEW					
REVISIONS					
NO.	BY:	DATE:	NO.	BY:	DATE:
1			3		
2			4		
SHEET NO. C-3					TOTAL SHEETS 6



REVISED 11-19-99 BY M.M. CHECKED BY R.W.W.
 REVISED 8-28-92 BY E.L.R. 1-7 BY G.R.P.
 REDRAWN 10-16-89 BY R.W.W. 1-7 BY A.R.B.

ASSEMBLED BY : <u>CR YARBROUGH</u> DATE : <u>04/05</u>	SPECIAL
CHECKED BY : <u>A. SORSENGINH</u> DATE : <u>04/05</u>	
DRAWN BY : <u>R.F. HOLMES</u> DATE : <u>NOV. 1971</u>	STANDARD
CHECKED BY : <u>J.A. JOHNSON</u> DATE : <u>NOV. 1971</u>	