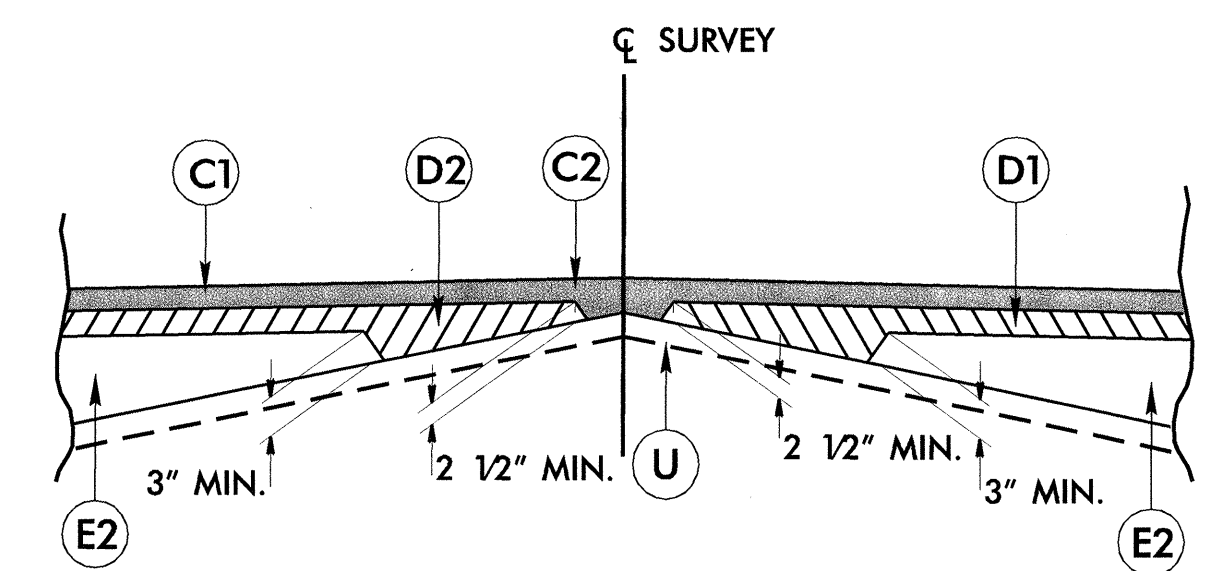


10/20/2005 R:\Roadway\Proj\3848\_rdy-tytp.dgn

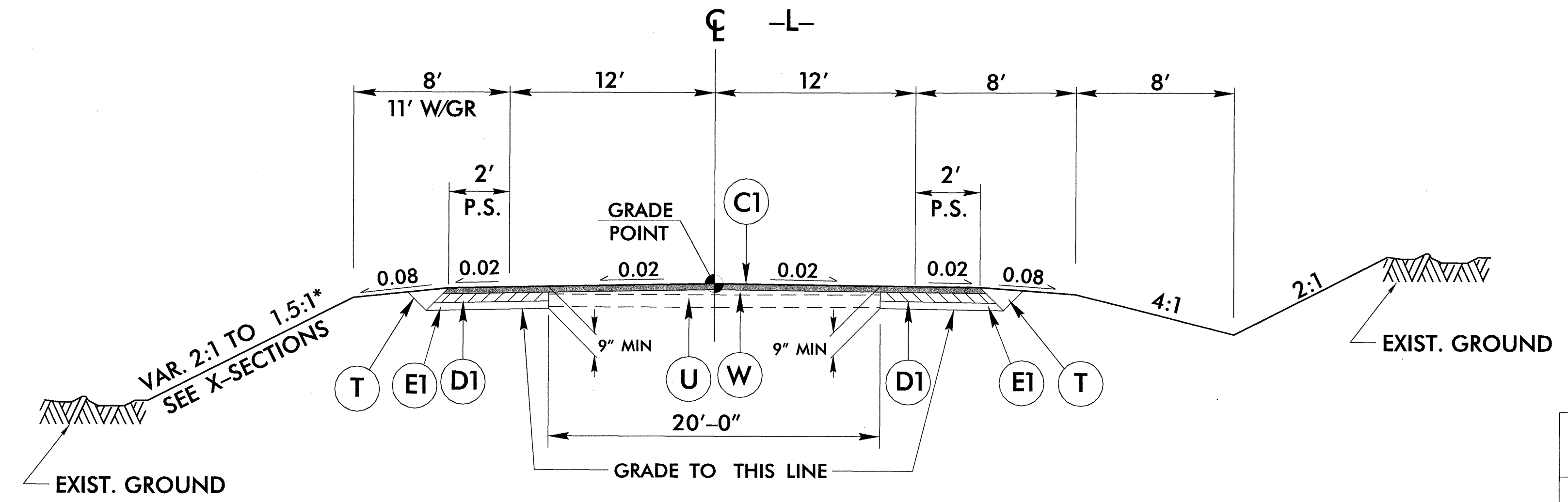
PROJECT REFERENCE NO. B-3848	SHEET NO. 2
ROADWAY DESIGN ENGINEER MICHAEL T. MERRITT SEAL 21122 10/25/05	PAVEMENT DESIGN ENGINEER MICHAEL T. MERRITT SEAL 13368 10/25/05

PAVEMENT SCHEDULE			
ITEM	DESCRIPTION	ITEM	DESCRIPTION
C1	PROP. APPROX. 2" ASPHALT CONCRETE SURFACE COURSE, TYPE S9.5B, AT AN AVERAGE RATE OF 224 LBS. PER SQ. YD.	E2	PROP. VAR. DEPTH ASPHALT CONCRETE BASE COURSE, TYPE B25.0B, AT AN AVERAGE RATE OF 114 LBS. PER SQ. YD. PER 1" DEPTH, TO BE PLACED IN LAYERS NOT GREATER THAN 5 1/2" IN DEPTH OR LESS THAN 3" IN DEPTH.
C2	PROP. VAR. DEPTH ASPHALT CONCRETE SURFACE COURSE, TYPE S9.5B, AT AN AVERAGE RATE OF 112 LBS. PER SQ. YD. PER 1" DEPTH, TO BE PLACED IN LAYERS NOT TO EXCEED 2" IN DEPTH.	T	EARTH MATERIAL
D1	PROP. APPROX. 2.5" ASPHALT CONCRETE INTERMEDIATE COURSE, TYPE I19.0B, AT AN AVERAGE RATE OF 285 LBS. PER SQ. YD.	U	EXISTING PAVEMENT
D2	PROP. VAR. DEPTH ASPHALT CONCRETE INTERMEDIATE COURSE, TYPE I19.0B, AT AN AVERAGE RATE OF 114 LBS. PER SQ. YD. PER 1" DEPTH TO BE PLACED IN LAYERS NOT GREATER THAN 4" IN DEPTH OR LESS THAN 2 1/2" IN DEPTH.	W	WEDGING (SEE DETAIL)
E1	PROP. APPROX. 4.5" ASPHALT CONCRETE BASE COURSE, TYPE B25.0B, AT AN AVERAGE RATE OF 513 LBS. PER SQ. YD.		



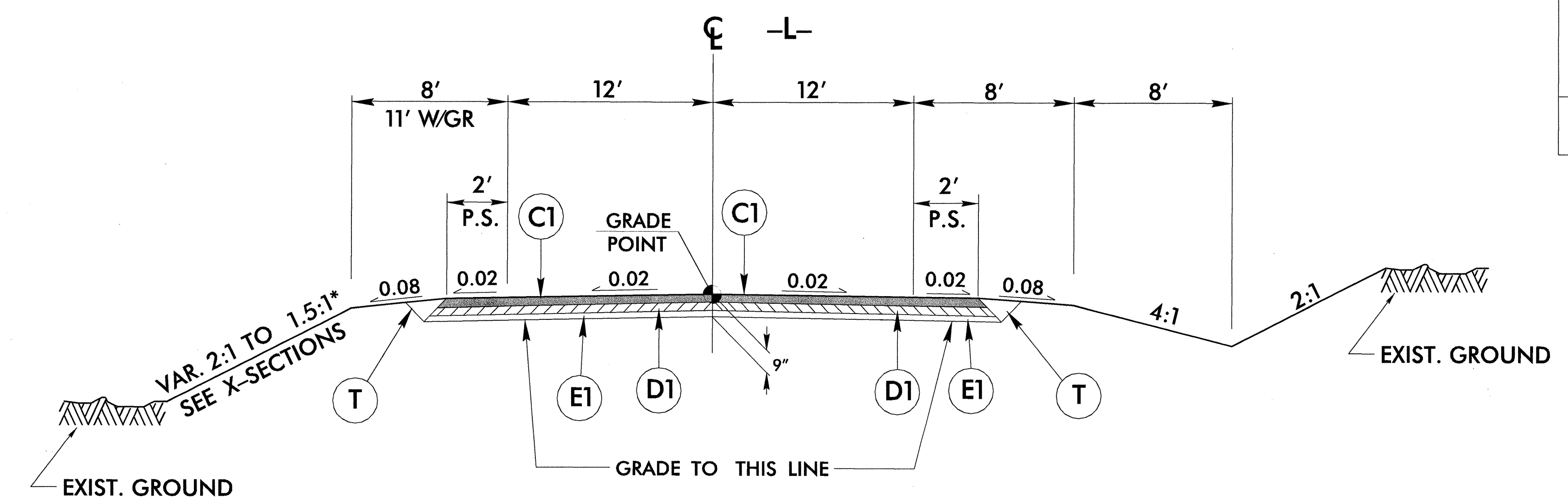
Detail Showing Method of Wedging

NOTE: All Pavement Edge Slopes Are To Be 1:1 Unless Otherwise Shown.



**TYPICAL SECTION NO. 1**

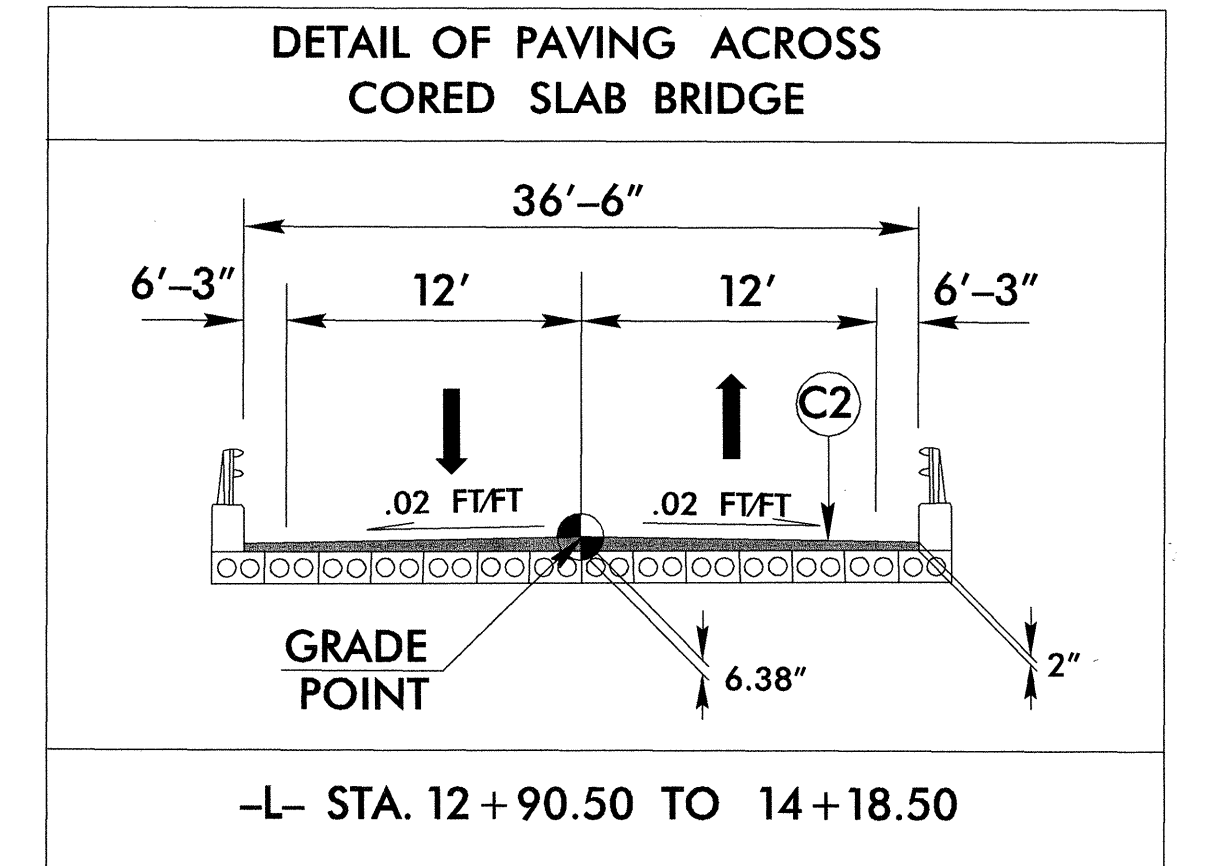
\* SEE DETAIL 2-A FOR ROCK PLATING



**TYPICAL SECTION NO. 2**

\* SEE DETAIL 2-A FOR ROCK PLATING

USE TYPICAL SECTION NO. 1  
 -L- STA. 10+00.00 TO 12+55.00  
 -L- STA. 14+55.00 TO 16+90.00



USE TYPICAL SECTION NO. 2  
 -L- STA. 12+55.00 TO 12+90.50 (BEG. BRIDGE)  
 -L- STA. 14+18.50 (END BRIDGE) TO 14+55.00

**PLANS PREPARED BY :**

**RK & K** RUMMEL • KLEPPER & KAHL, LLP  
*consulting engineers*  
 900 RIDGEFIELD DRIVE • SUITE 350  
 RALEIGH, NORTH CAROLINA 27609-3960  
 (919) 878-9560

**FOR**  
**DIVISION OF HIGHWAYS**