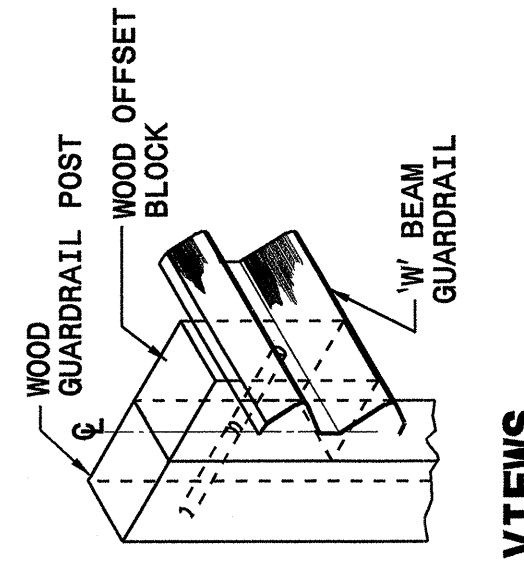


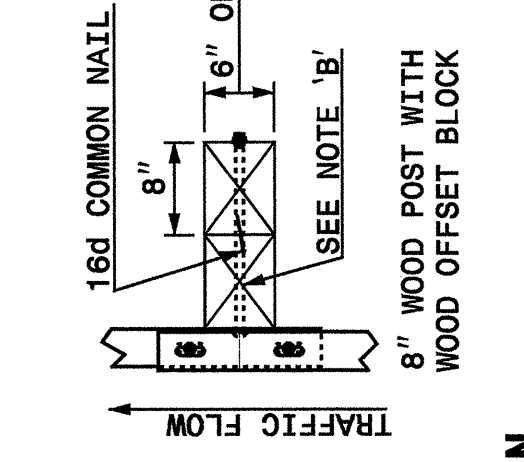
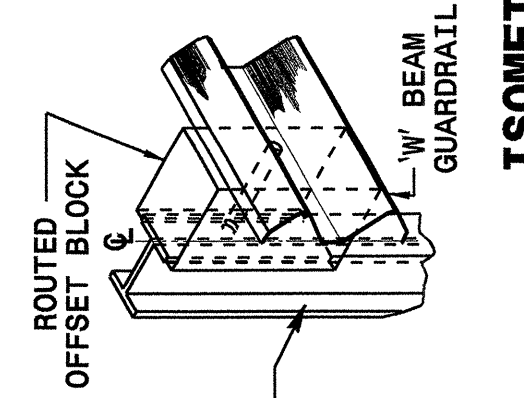
STATE OF NORTH CAROLINA DEPT. OF TRANSPORTATION DIVISION OF HIGHWAYS RALEIGH, N.C.

ENGLISH DETAIL DRAWING FOR GUARDRAIL INSTALLATION

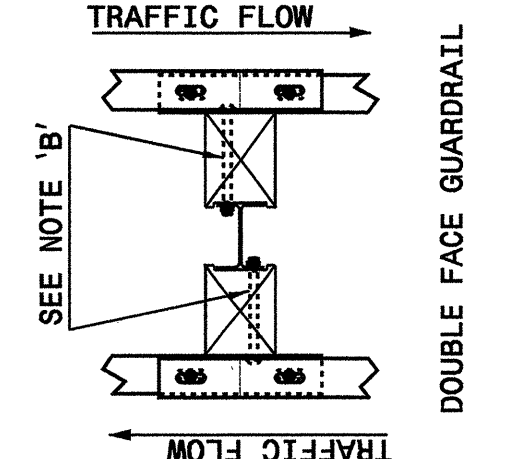
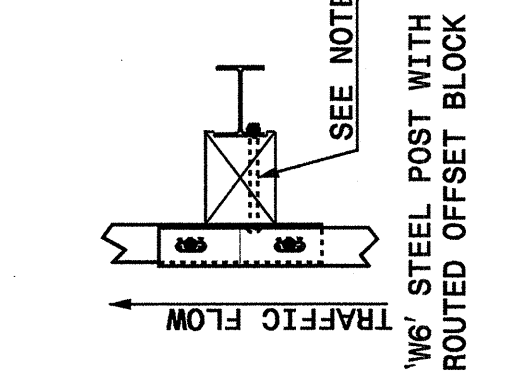
SHEET 3 OF 7
862D02



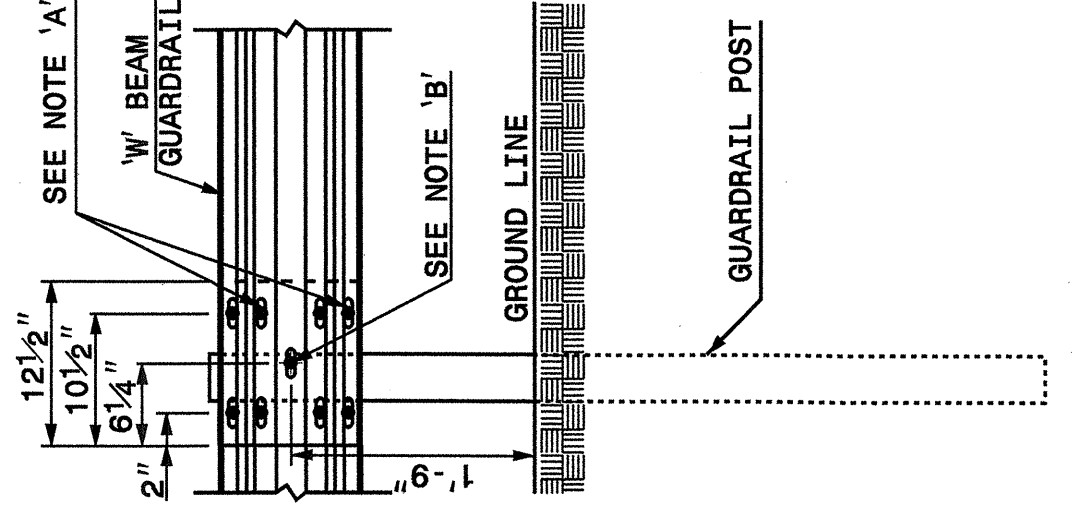
ISOMETRIC VIEWS



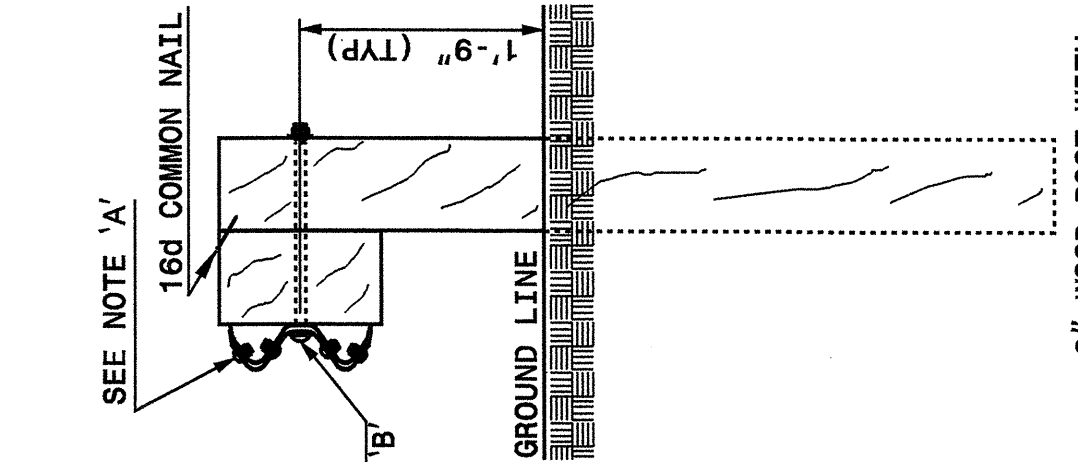
PLAN



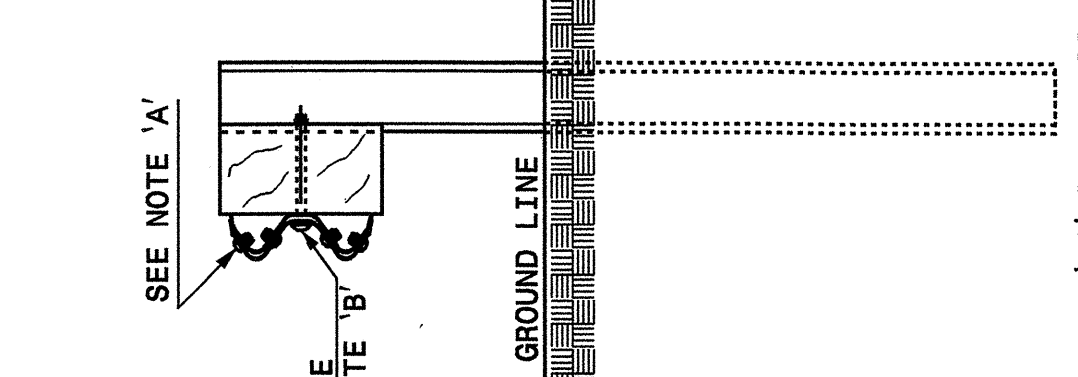
PLAN



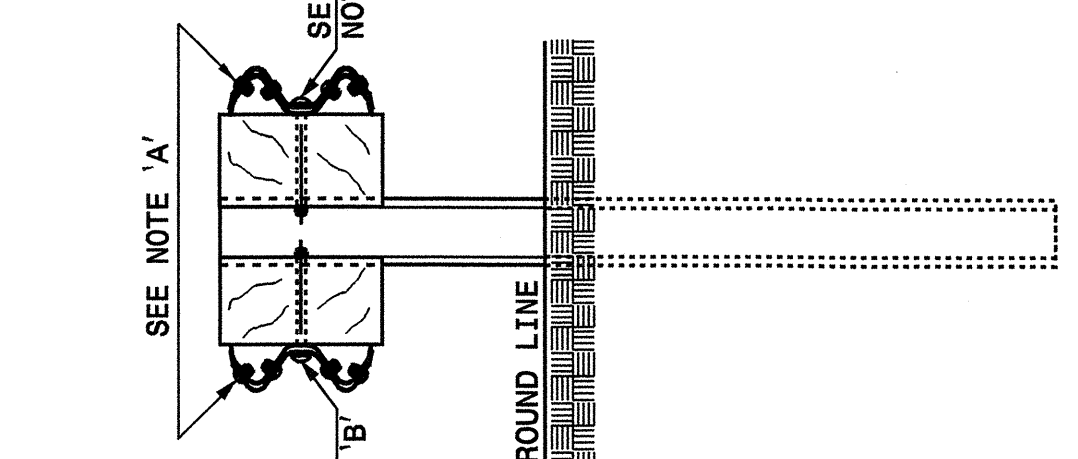
FRONT



FRONT



FRONT



FRONT

FRONT

FRONT

FRONT

NOTES:
 A - 5/8" DIA. BUTTON HEAD SPLICE BOLT 1 1/4" LONG (8 REQ. PER SPLICE JOINT).
 B - 5/8" DIA. BUTTON HEAD BOLT 7 1/2" / 9" LONG WITH NUT FOR BOLTING 6" / 8" ROUNDED OFFSET BLOCK TO STEEL POSTS OR 5/8" DIA. BUTTON HEAD BOLT 18" LONG WITH STD. WASHER UNDER NUT FOR BOLTING TO WOOD POSTS (1 REQ. PER LOCATION)
 C - FIELD PUNCHING OF HOLES INTO GUARDRAIL SHALL BE AS DIRECTED BY THE ENGINEER.

TYPICAL GUARDRAIL AND GUARDRAIL POST ALTERNATIVES

STATE OF NORTH CAROLINA DEPT. OF TRANSPORTATION DIVISION OF HIGHWAYS RALEIGH, N.C.

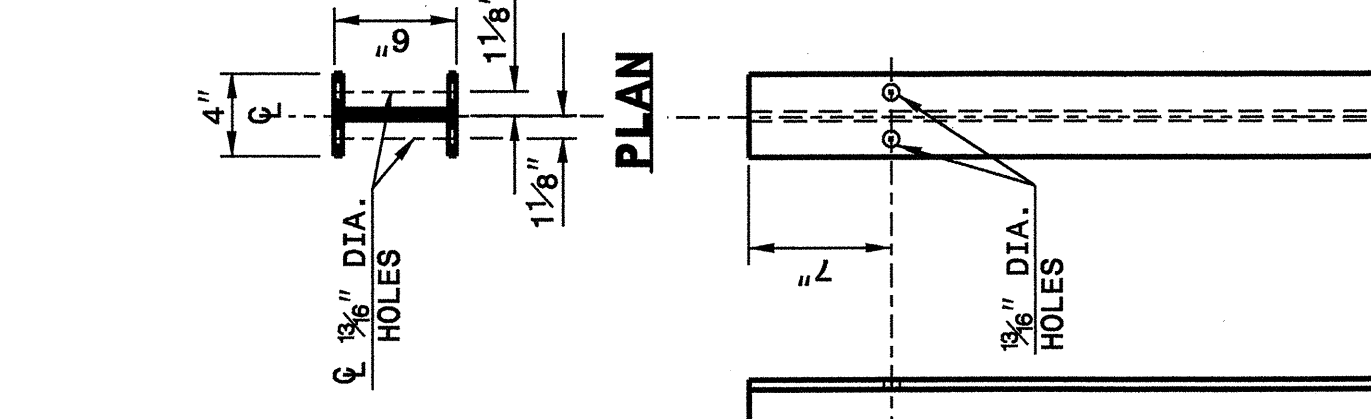
ENGLISH DETAIL DRAWING FOR GUARDRAIL INSTALLATION

SHEET 3 OF 7
862D02

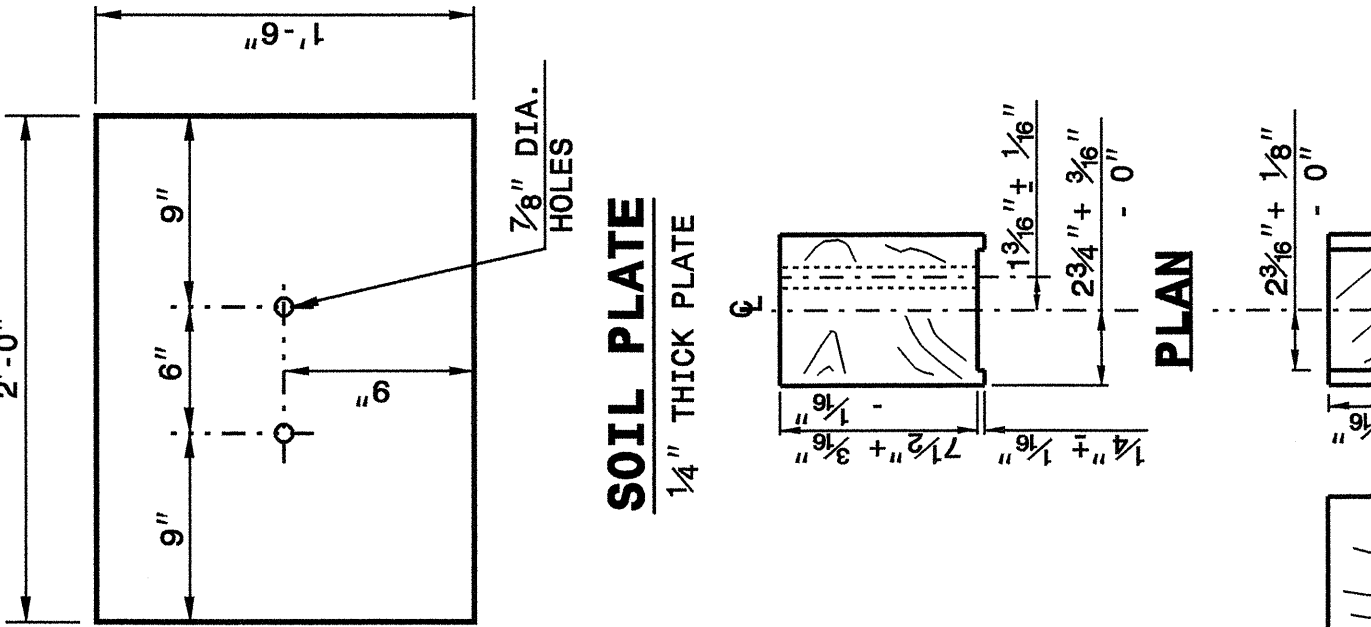
STATE OF NORTH CAROLINA DEPT. OF TRANSPORTATION DIVISION OF HIGHWAYS RALEIGH, N.C.

ENGLISH DETAIL DRAWING FOR GUARDRAIL INSTALLATION

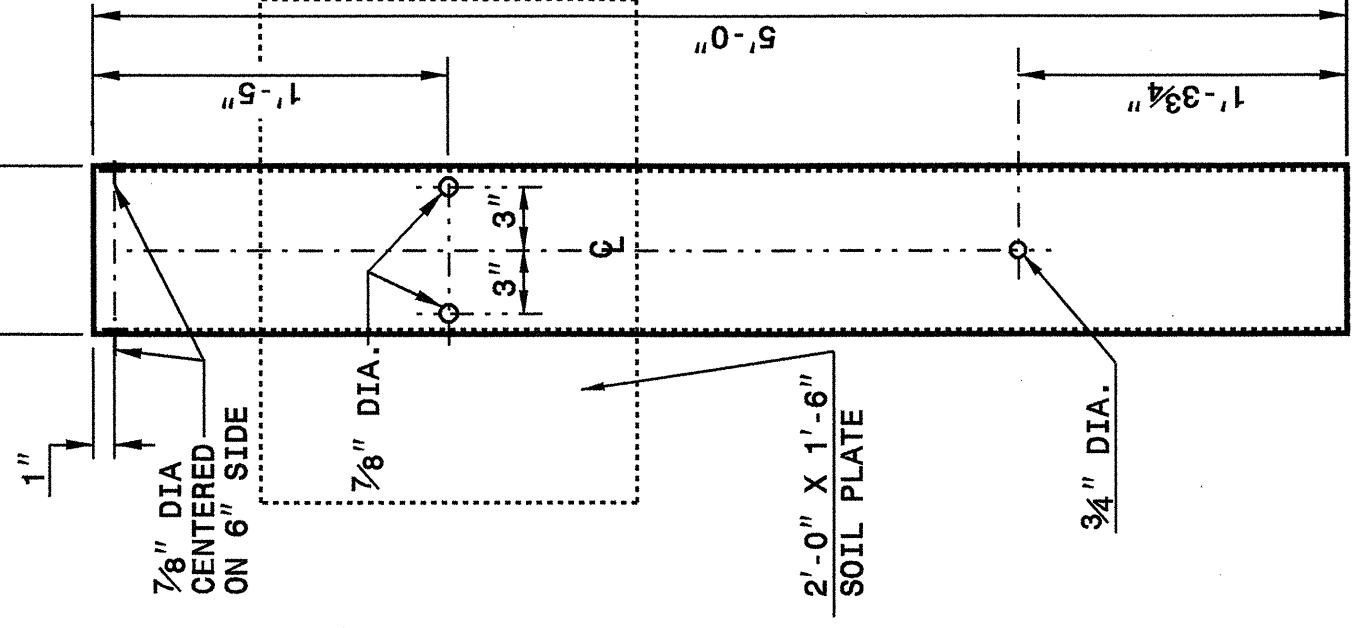
SHEET 4 OF 7
862D02



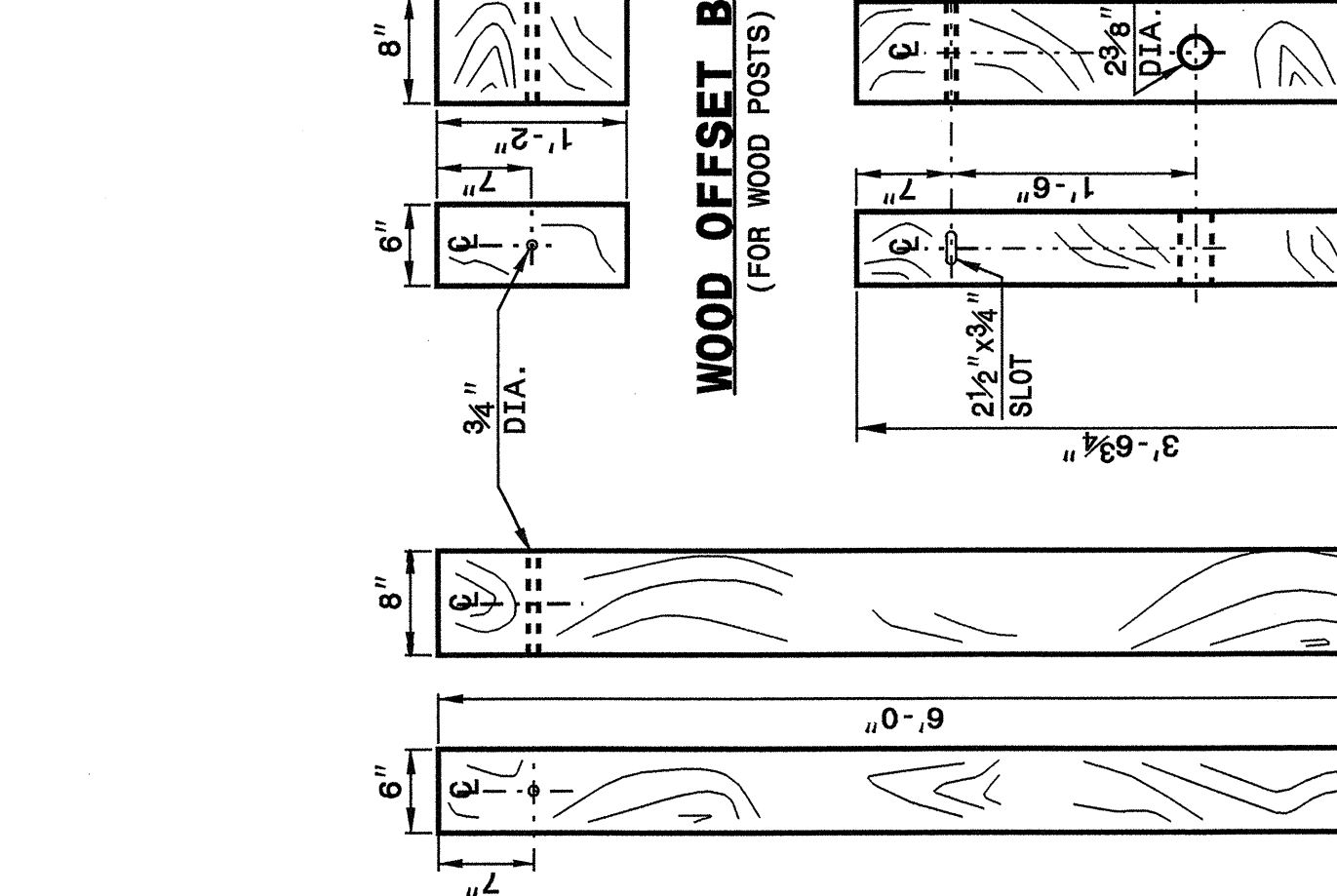
SOIL PLATE
1/4" THICK PLATE



STEEL TUBE
TS 6 X 8 X 10.1875



WOOD OFFSET BLOCK
(FOR WOOD POSTS)



STEEL TUBE

STATE OF NORTH CAROLINA DEPT. OF TRANSPORTATION DIVISION OF HIGHWAYS RALEIGH, N.C.

ENGLISH DETAIL DRAWING FOR GUARDRAIL INSTALLATION

SHEET 4 OF 7
862D02

PLAN

SOIL PLATE
1/4" THICK PLATE

WOOD OFFSET BLOCK
(FOR WOOD POSTS)

STEEL TUBE
TS 6 X 8 X 10.1875

STEEL TUBE

STANDARD LINE POST

SHORT WOOD BREAKAWAY POST

BEARING PLATE
5/8" THICK PLATE

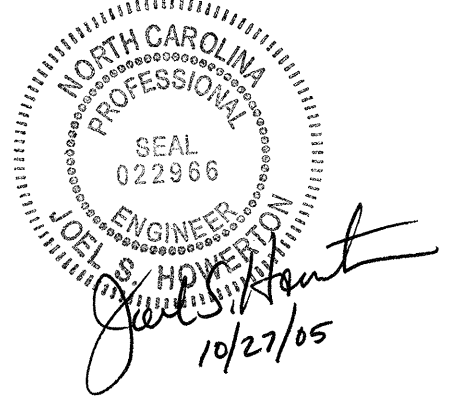
ROUTED WOOD OFFSET BLOCK

"W6" STEEL POST

SYSTEM PARTS

PROJECT SERVICES UNIT STANDARDS AND SPECIAL DESIGN
 Office 919-250-4128 FAX 919-250-4119

SEE PLATE FOR TITLE



ORIGINAL BY: 2002 STD.862.02 DATE:
 MODIFIED BY: E.E. WARD DATE: 02-09-03
 CHECKED BY: [Signature] DATE: 10/21/04
 FILE SPEC.: /usr/stds/02todetail/eng/ish/86202/862d02.dgn

19-QCT-2004, li:39
 W:\Special_Details\Standard\stds\02\Std to Special_Details\english\86202\0862d02.dgn
 erikward h:\05212260