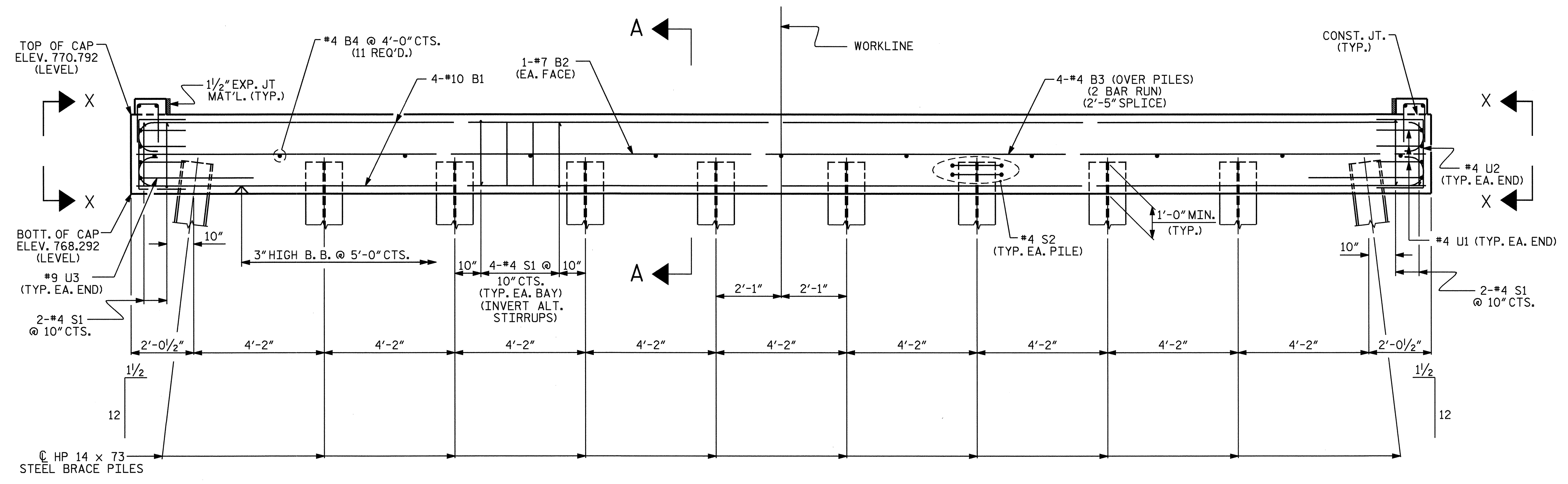
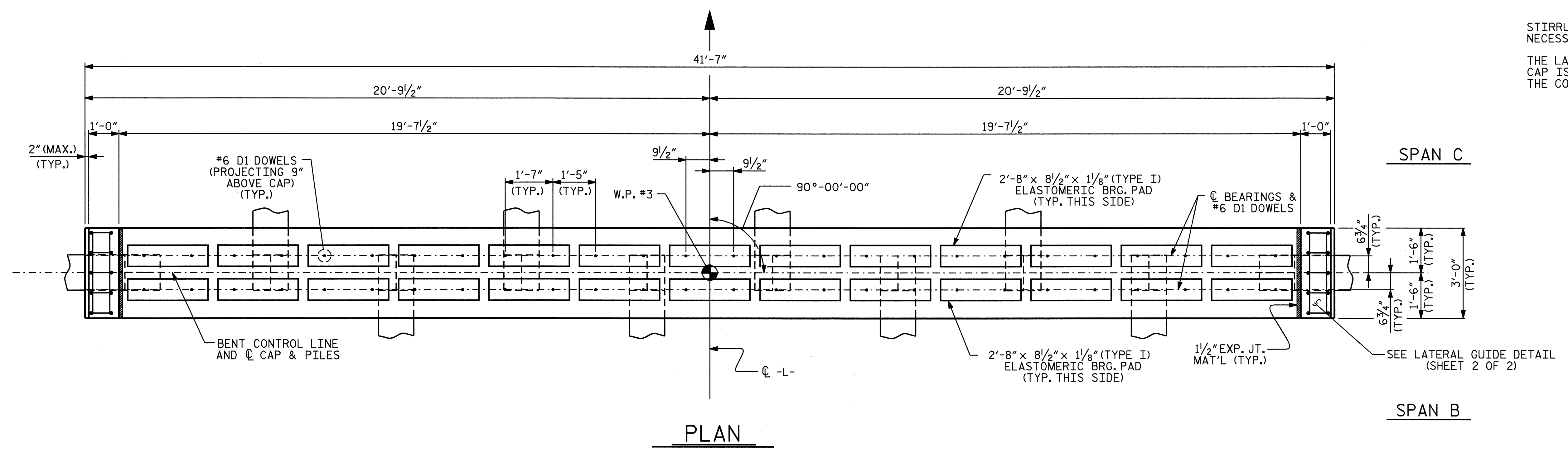


NOTES

STIRRUPS IN CAP MAY BE SHIFTED AS NECESSARY TO CLEAR ANCHOR BOLTS.
 THE LATERAL GUIDE AT EACH END OF THE CAP IS NOT TO BE POURED UNTIL AFTER THE CORED SLAB UNITS ARE IN PLACE.

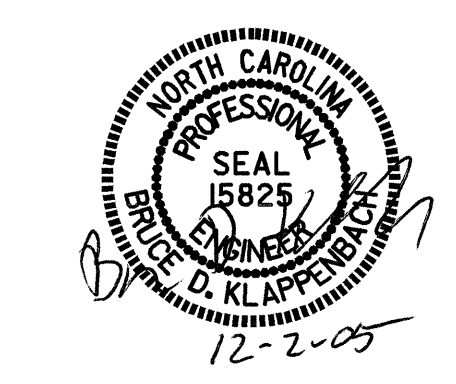


PROJECT NO. B-3848
GUILFORD COUNTY
 STATION: 13+54.50 -L-

SHEET 1 OF 2

STATE OF NORTH CAROLINA
 DEPARTMENT OF TRANSPORTATION
 RALEIGH

**SUBSTRUCTURE
 BENT #2**



DRAWN BY: J.B. WILSON/M.G.S. DATE: 7/26/05
 CHECKED BY: D.A. GLADDEN DATE: 8/02/05

01-DEC-2005 10:50
 G:\Structures\mshalkh\Microrstation\B-3848_sd.B*2.dgn
 mshalkh

REVISIONS						SHEET NO.
NO.	BY:	DATE:	NO.	BY:	DATE:	
1			3			5-20
2			4			TOTAL SHEETS 27

NC006