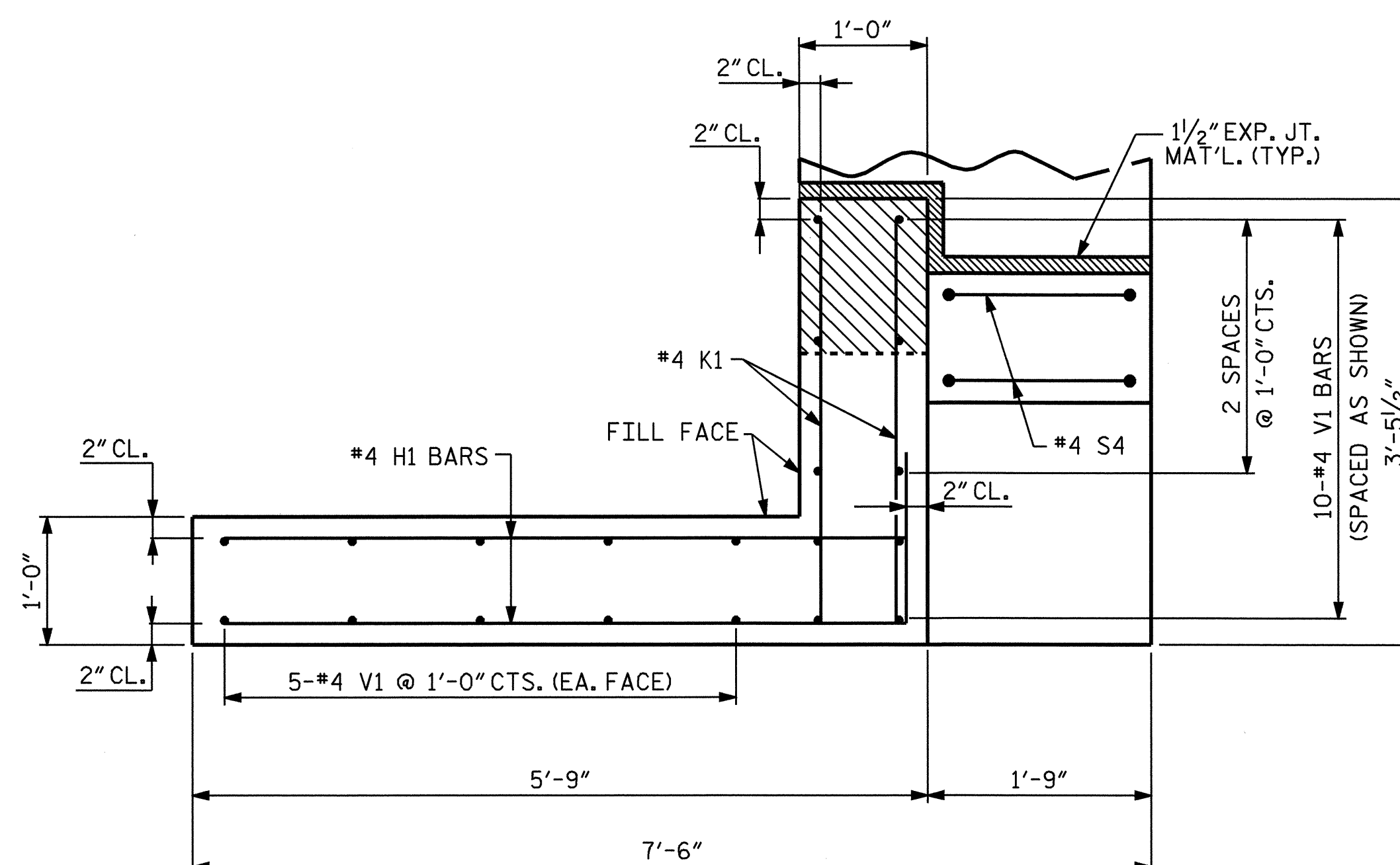
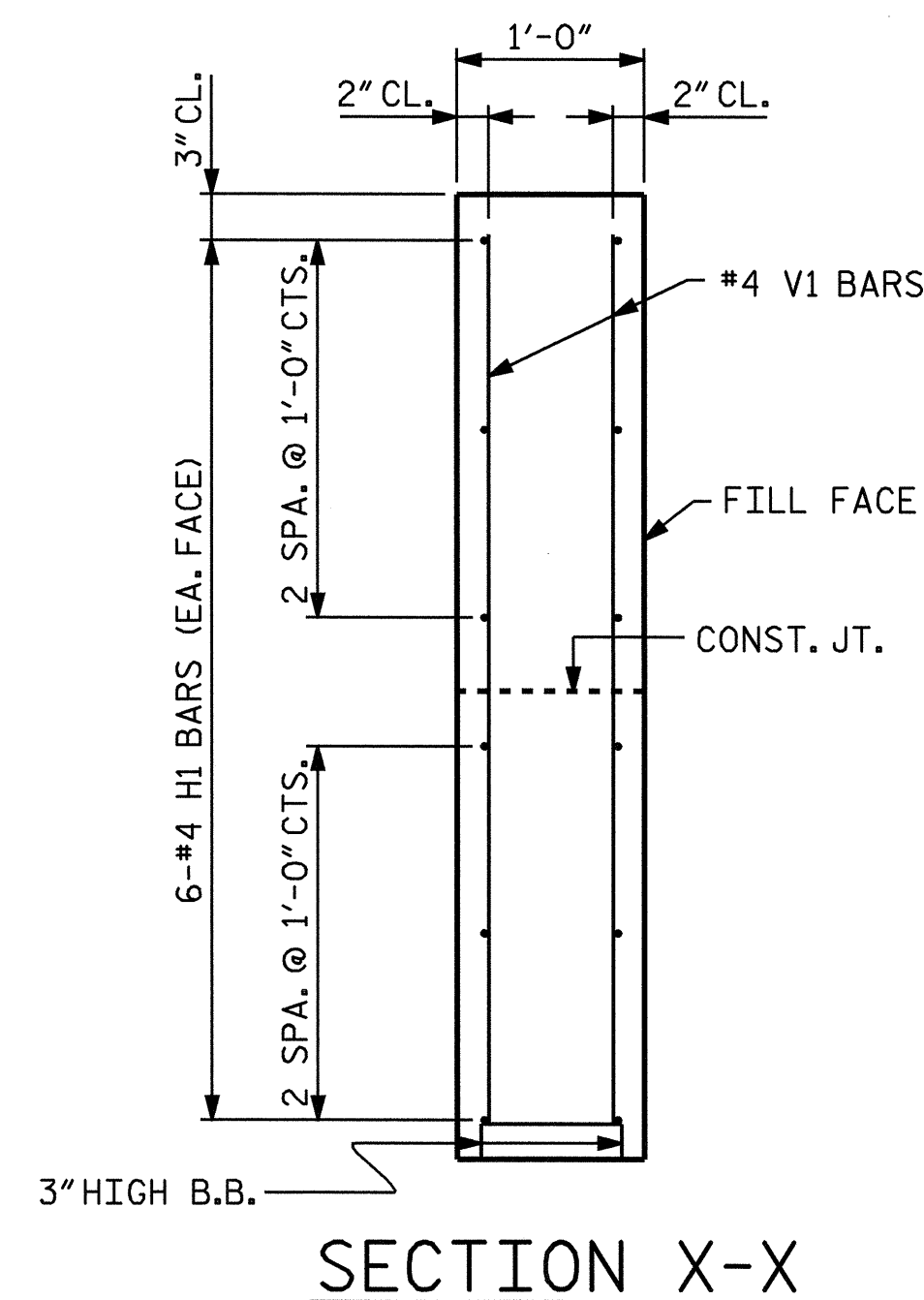


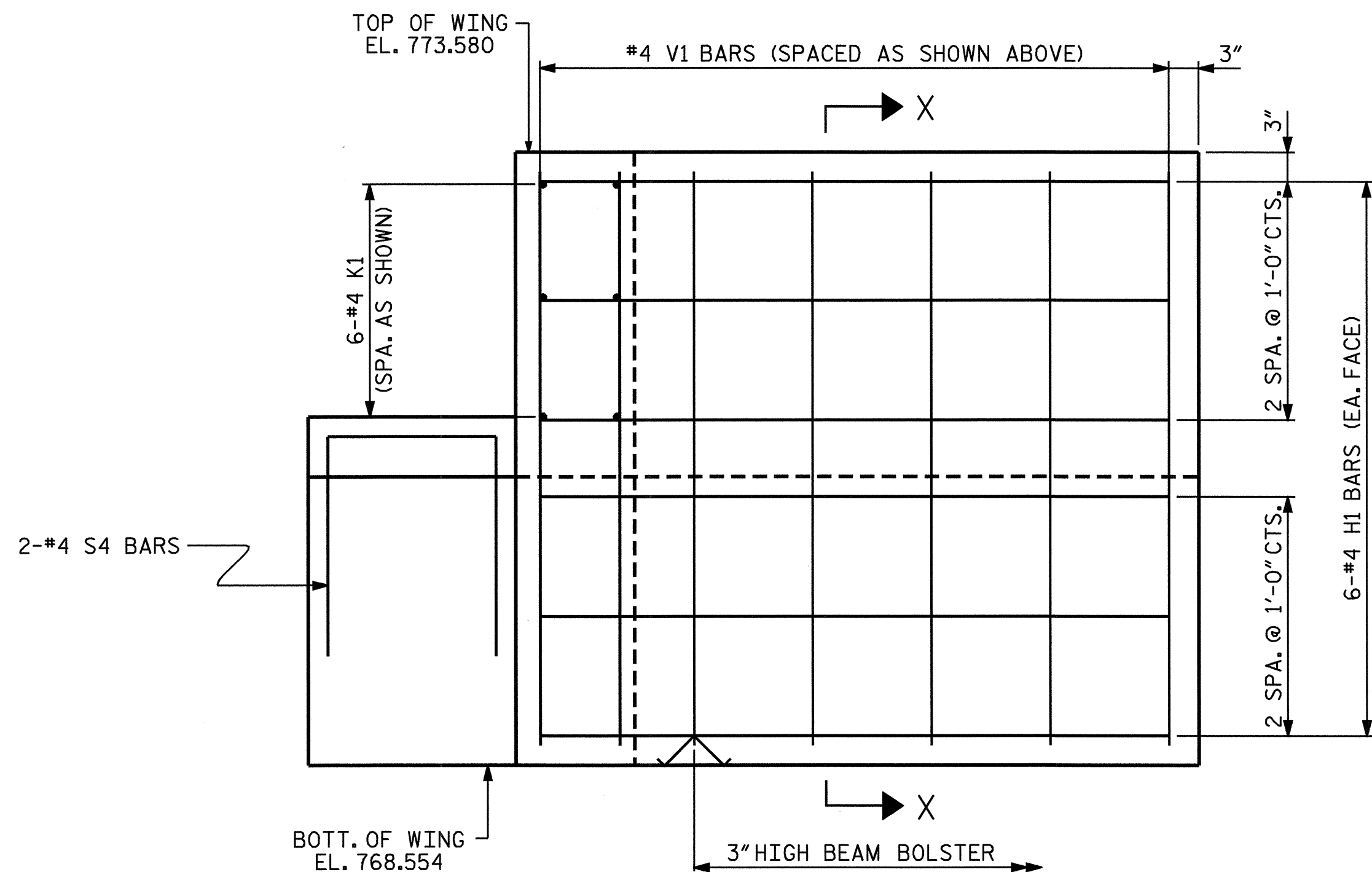
PLAN OF LEFT WING (W1)



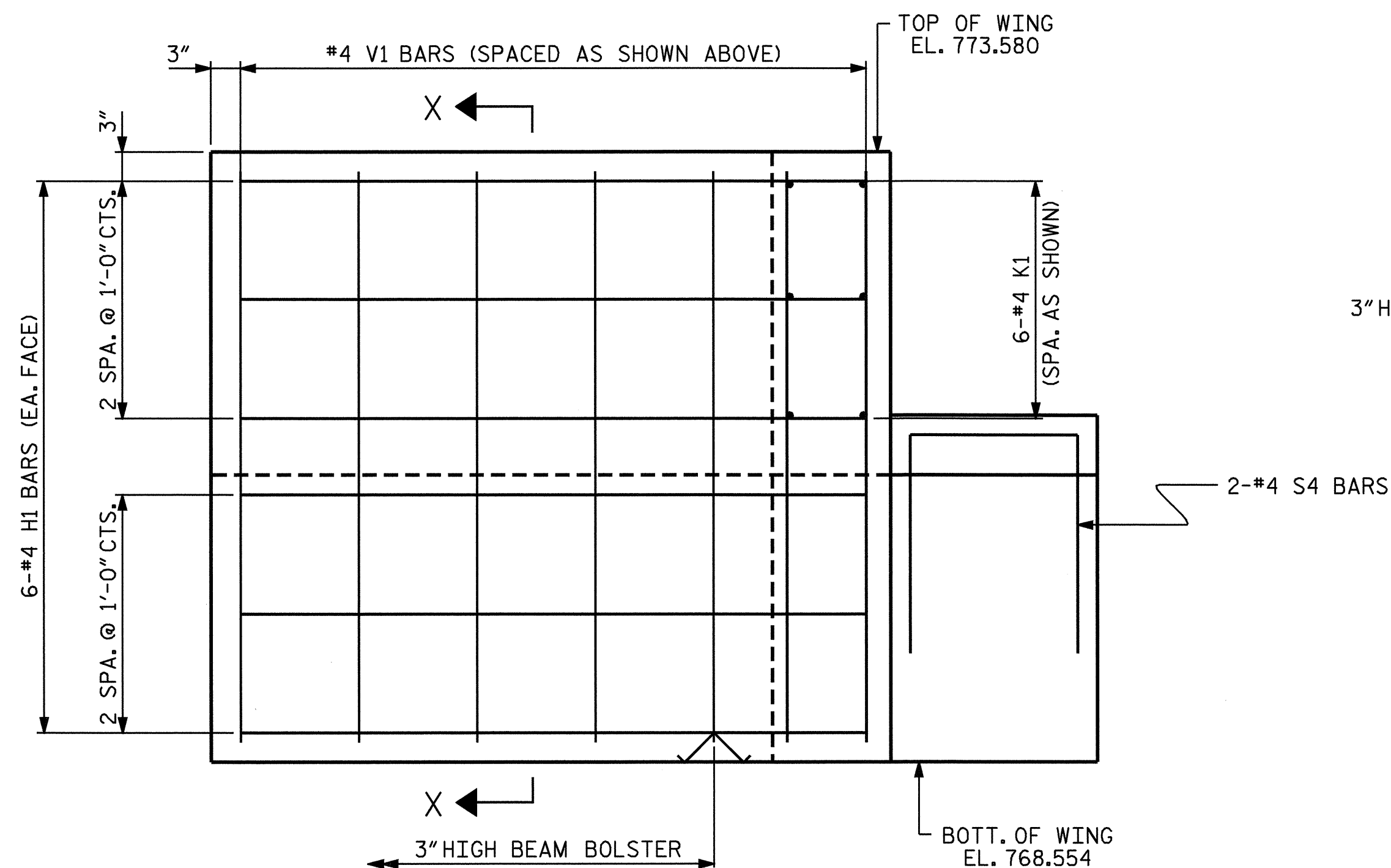
PLAN OF RIGHT WING (W2)



SECTION X-X



ELEVATION OF LEFT WING (W1)



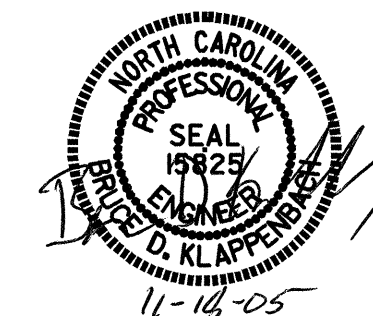
ELEVATION OF RIGHT WING (W2)

PROJECT NO. B-3848
 GUILFORD COUNTY
 STATION: 13+54.50 -L-

SHEET 2 OF 3

STATE OF NORTH CAROLINA
 DEPARTMENT OF TRANSPORTATION
 RALEIGH

SUBSTRUCTURE
 END BENT #2



DRAWN BY: J.B. WILSON/M.G.S. DATE: 4/11/05
 CHECKED BY: D.A. GLADDEN DATE: 7/5/05

REVISIONS						SHEET NO.
NO.	BY:	DATE:	NO.	BY:	DATE:	
1			3			5-23
2			4			TOTAL SHEETS 27