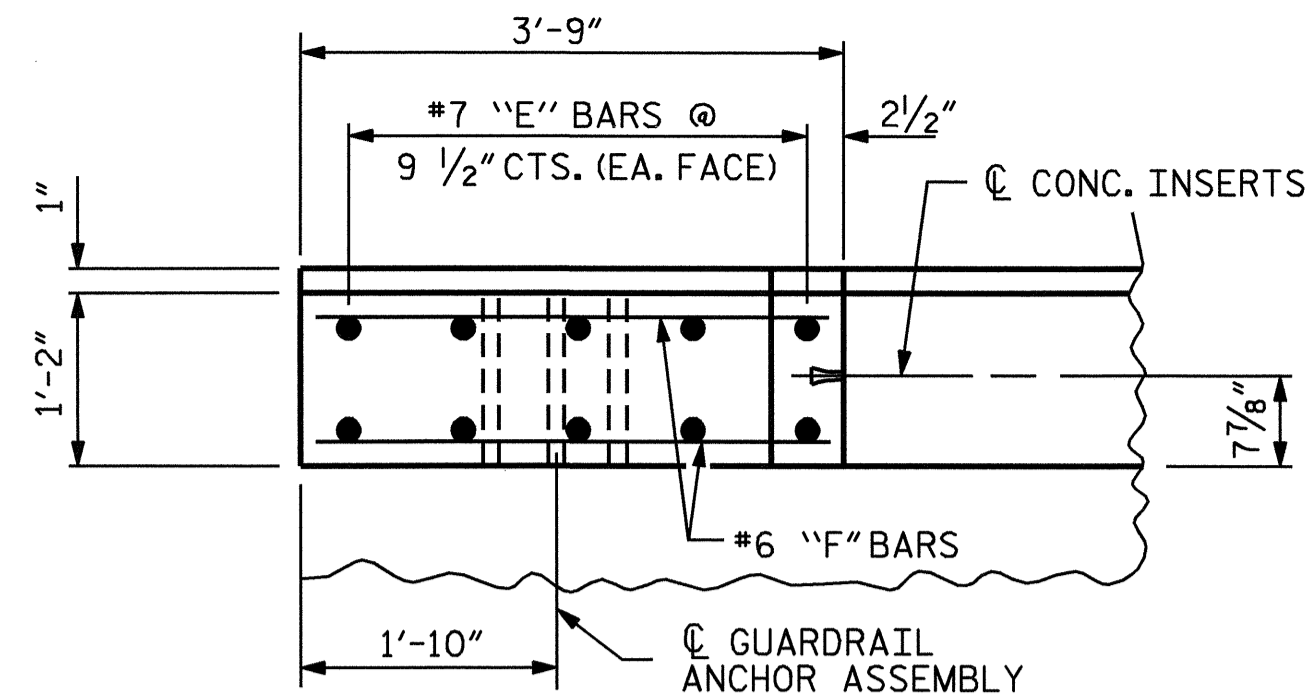
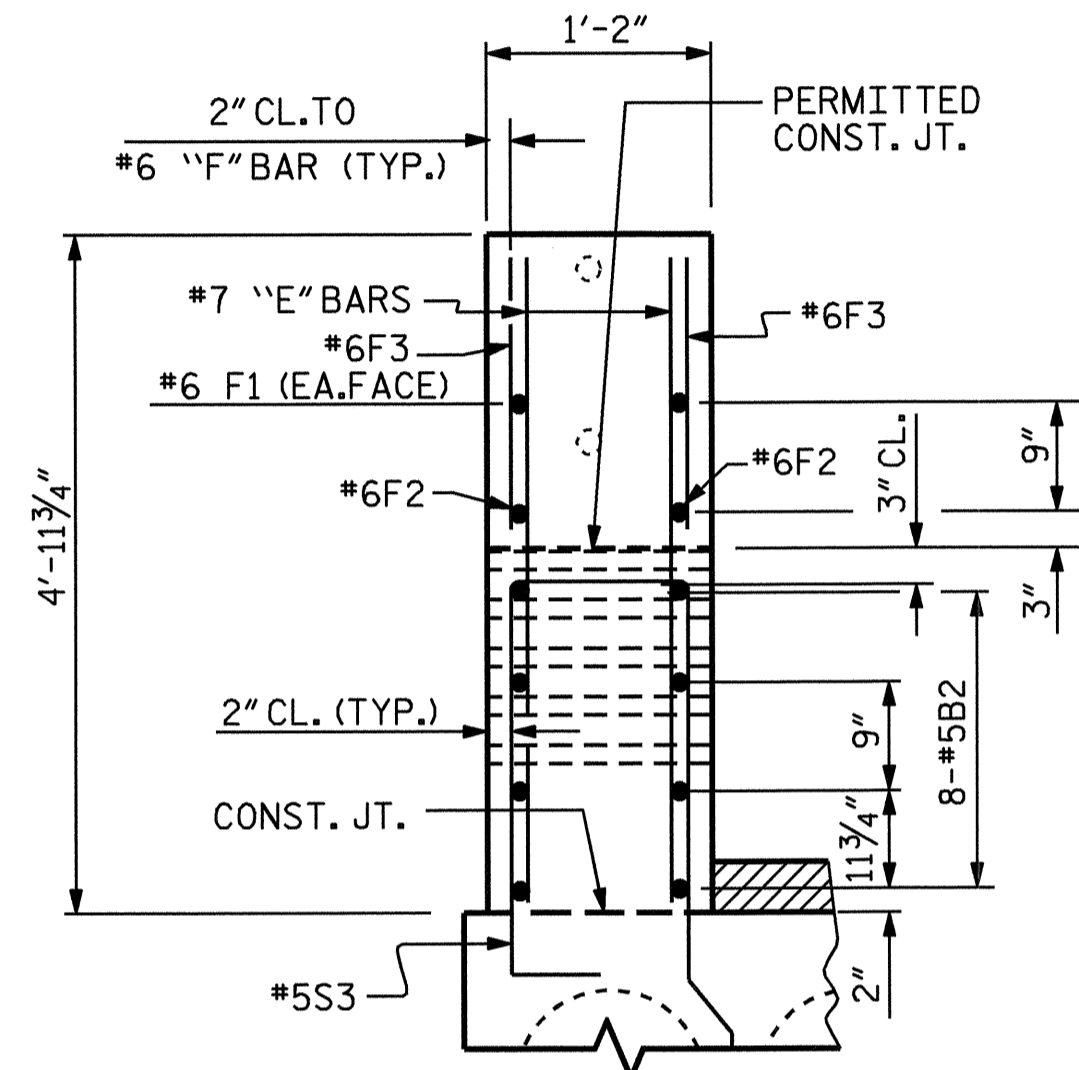


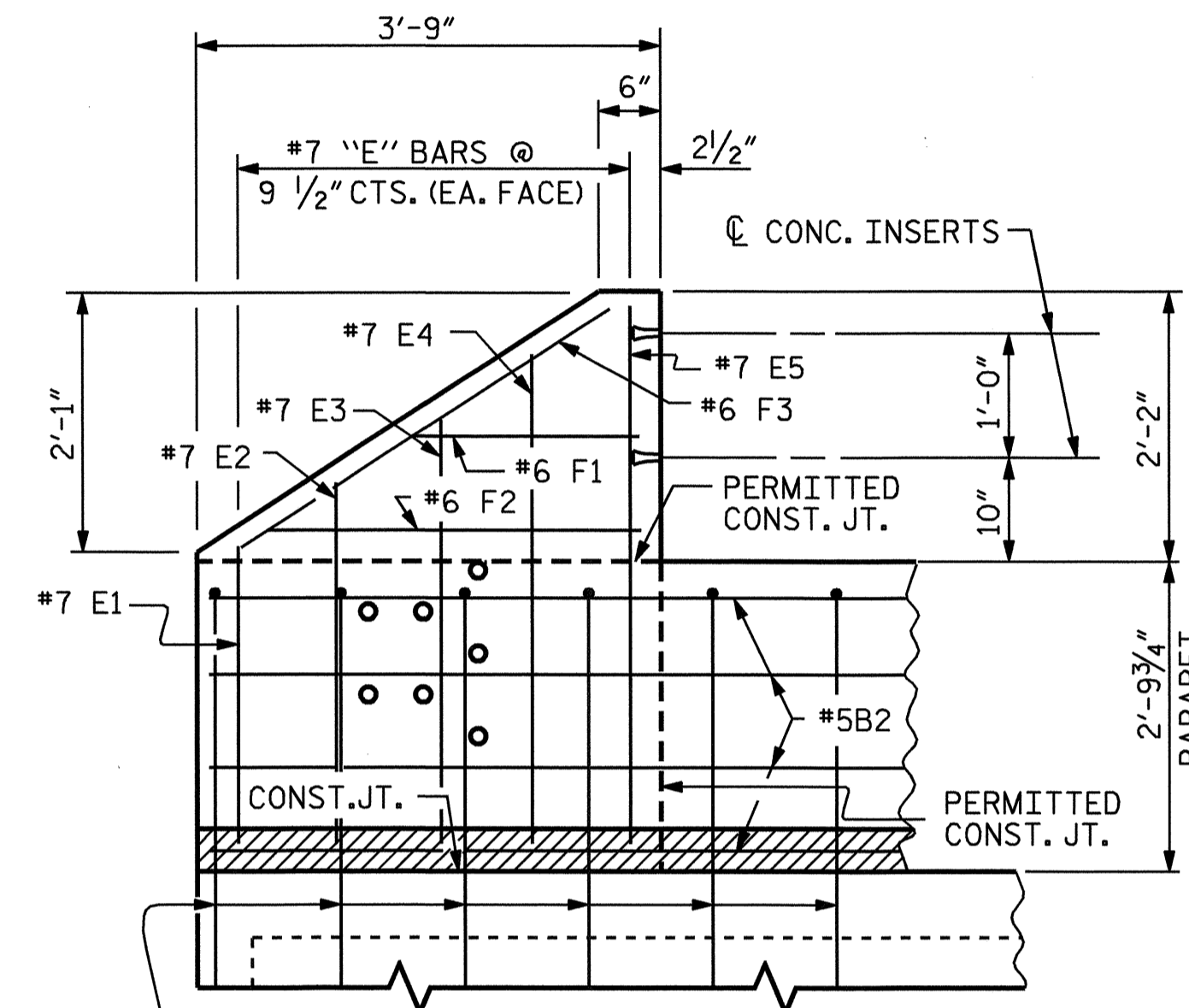
PLAN OF PARAPET



PLAN OF END POST

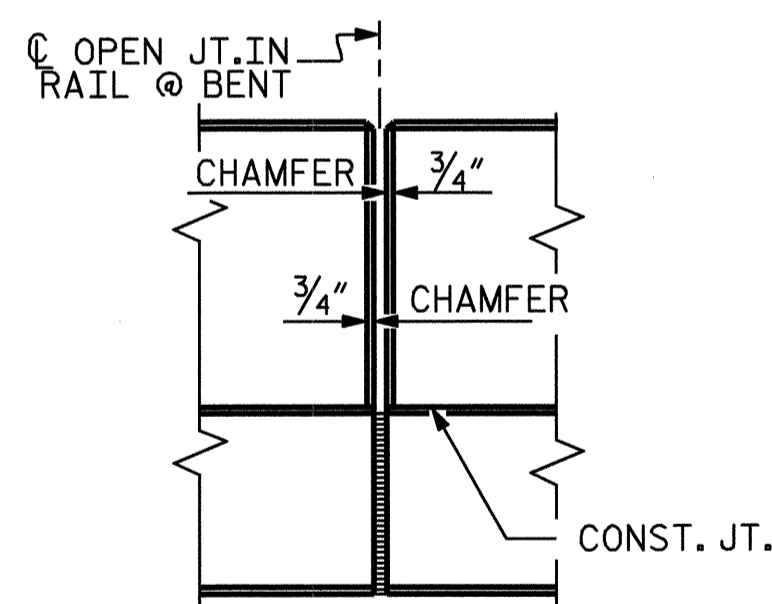


END VIEW

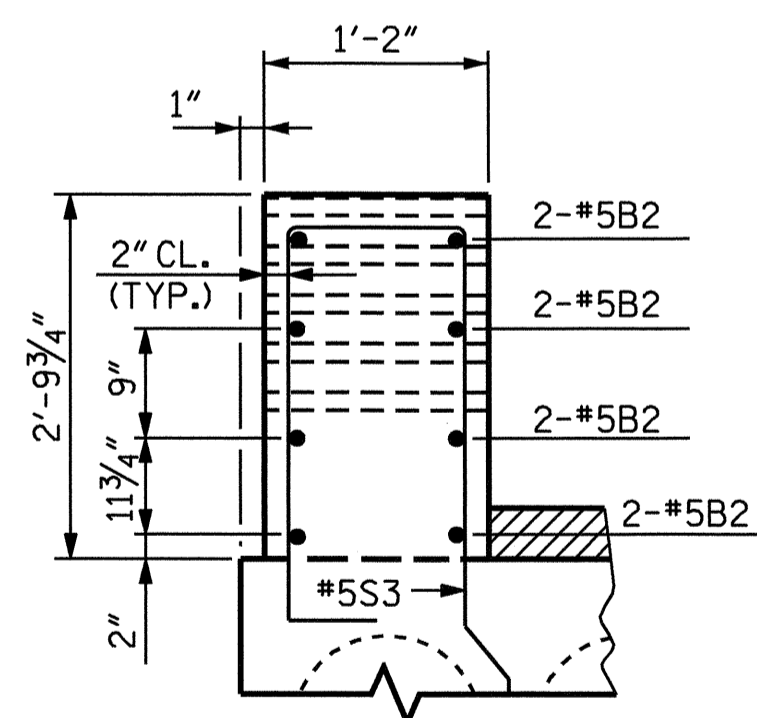


ELEVATION

PARAPET AND END POST FOR TWO BAR RAIL



ELEVATION AT EXPANSION JOINT



SECTION THRU PARAPET

PARAPET DETAILS

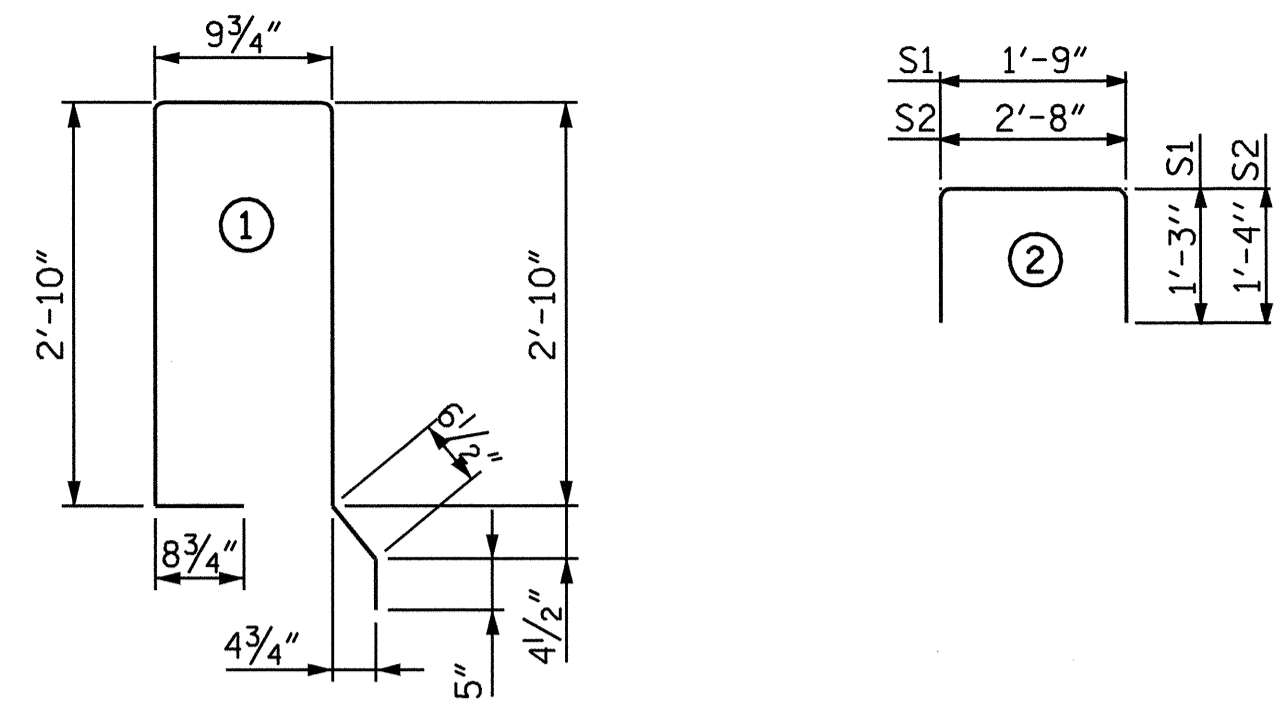
GRADE 270 STRANDS	
AREA (SQUARE INCHES)	1/2" Ø L.R.
ULTIMATE STRENGTH (LBS. PER STRAND)	0.153
APPLIED PRESTRESS (LBS. PER STRAND)	41,300
	30,980

	SPAN A		SPAN B		TOTAL LENGTH
	NUMBER	LENGTH	NUMBER	LENGTH	
EXTERIOR C.S.	2	47'-9 3/4"	2	47'-9 3/4"	191'-3"
INTERIOR C.S.	11	47'-9 3/4"	11	47'-9 3/4"	1051'-10 1/2"
TOTAL	13		13		1243'-1 1/2"

DEAD LOAD DEFLECTION AND CAMBER	
	3'-0" x 1'-9"
	1/2" Ø L.R. STRAND
CAMBER (SLAB ALONE IN PLACE)	1 3/4"
DEFLECTION DUE TO ** SUPERIMPOSED DEAD LOAD	3/16"
FINAL CAMBER	1 9/16"

** INCLUDES FUTURE WEARING SURFACE

BAR TYPES



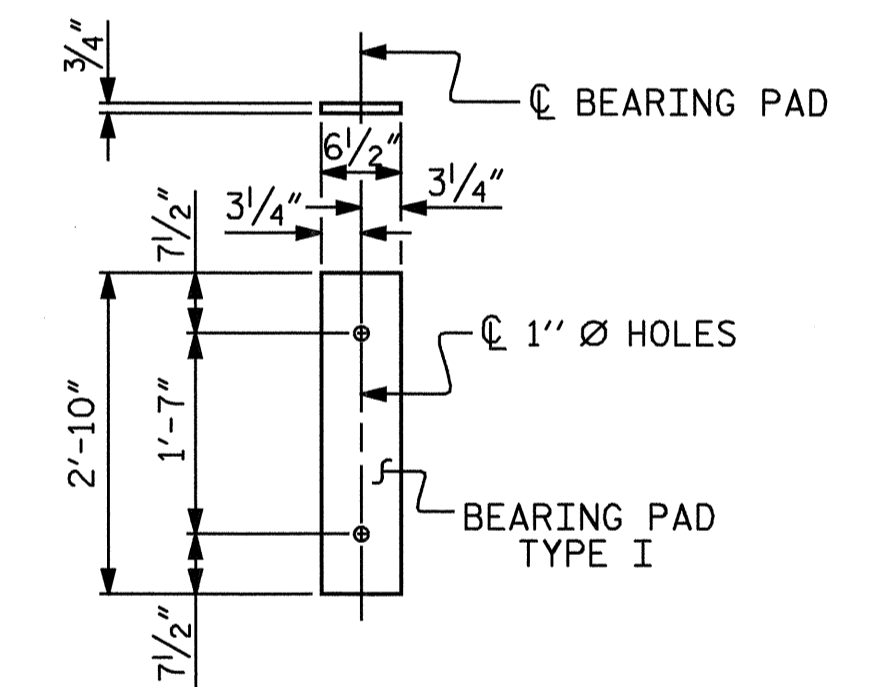
ALL BAR DIMENSIONS ARE OUT TO OUT

BILL OF MATERIAL FOR ONE CORED SLAB SECTION

BAR	NUMBER	SIZE	TYPE	EXTERIOR UNIT LENGTH	EXTERIOR UNIT WEIGHT	INTERIOR UNIT LENGTH	INTERIOR UNIT WEIGHT
B1	4	#4	STR	24'-8"	66	24'-8"	66
S1	8	#5	2	4'-3"	35	4'-3"	35
S2	94	#4	2	5'-4"	335	5'-4"	335
* S3	49	#5	1	8'-2"	417		
REINFORCING STEEL				436 LBS.		436 LBS.	
* EPOXY COATED REINFORCING STEEL				417 LBS.			
5,000 P.S.I. CONCRETE				6.7 CU. YDS.		6.6 CU. YDS.	
1/2" Ø L.R. STRANDS				No. 21		No. 21	

BILL OF MATERIAL FOR CONCRETE PARAPET AND END POSTS

BAR	BARS PER SPAN	TOTAL NO.	SIZE	TYPE	LENGTH	WEIGHT	
	SPAN A	SPAN B					
* B2	16	16	32	#5	STR	47'-5"	1583
* E1	4	4	8	#7	STR	2'-9"	45
* E2	4	4	8	#7	STR	3'-3"	53
* E3	4	4	8	#7	STR	3'-9"	61
* E4	4	4	8	#7	STR	4'-3"	69
* E5	4	4	8	#7	STR	4'-7"	75
* F1	4	4	8	#6	STR	1'-10"	22
* F2	4	4	8	#6	STR	3'-0"	36
* F3	4	4	8	#6	STR	3'-4"	40
* EPOXY COATED REINFORCING STEEL				LBS.		1984	
CLASS AA CONCRETE				CU. YDS.		23.2	
1'-2" X 2'-9 3/4" CONCRETE PARAPET				LIN. FT.		191.25	



FIXED END (TYPE I - 52 REQ' D)

ELASTOMERIC BEARING DETAILS

PROJECT NO. B-3847
 GUILFORD COUNTY
 STATION: 14+60.00 -L-

STATE OF NORTH CAROLINA
 DEPARTMENT OF TRANSPORTATION
 RALEIGH

STANDARD
 3'-0" X 1'-9"
 PRESTRESSED
 CONCRETE CORED
 SLAB UNIT



REVISIONS						SHEET NO. 5-12
NO.	BY:	DATE:	NO.	BY:	DATE:	
1			3			TOTAL SHEETS 23
2			4			

ASSEMBLED BY : M. G. SHAIKH DATE : 9-28-05
 CHECKED BY : D. A. GLADDEN DATE : 10-10-05
 DRAWN BY : WJH 4/89
 CHECKED BY : FCJ 5/89
 REV. 10/17/00 RWW/LES
 REV. 7/10/01 RWW/LES
 REV. 5/7/03RR RWW/JTE