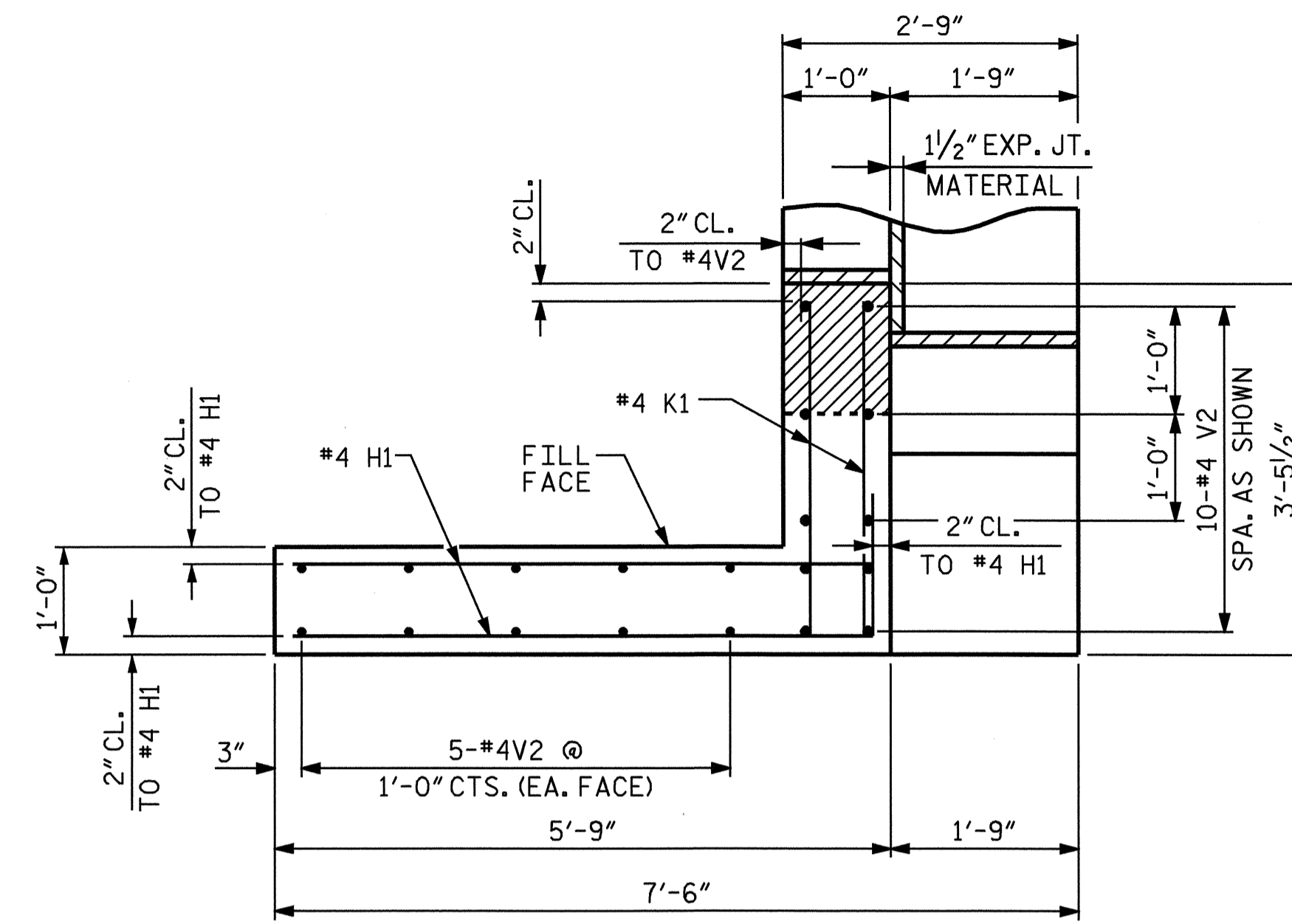
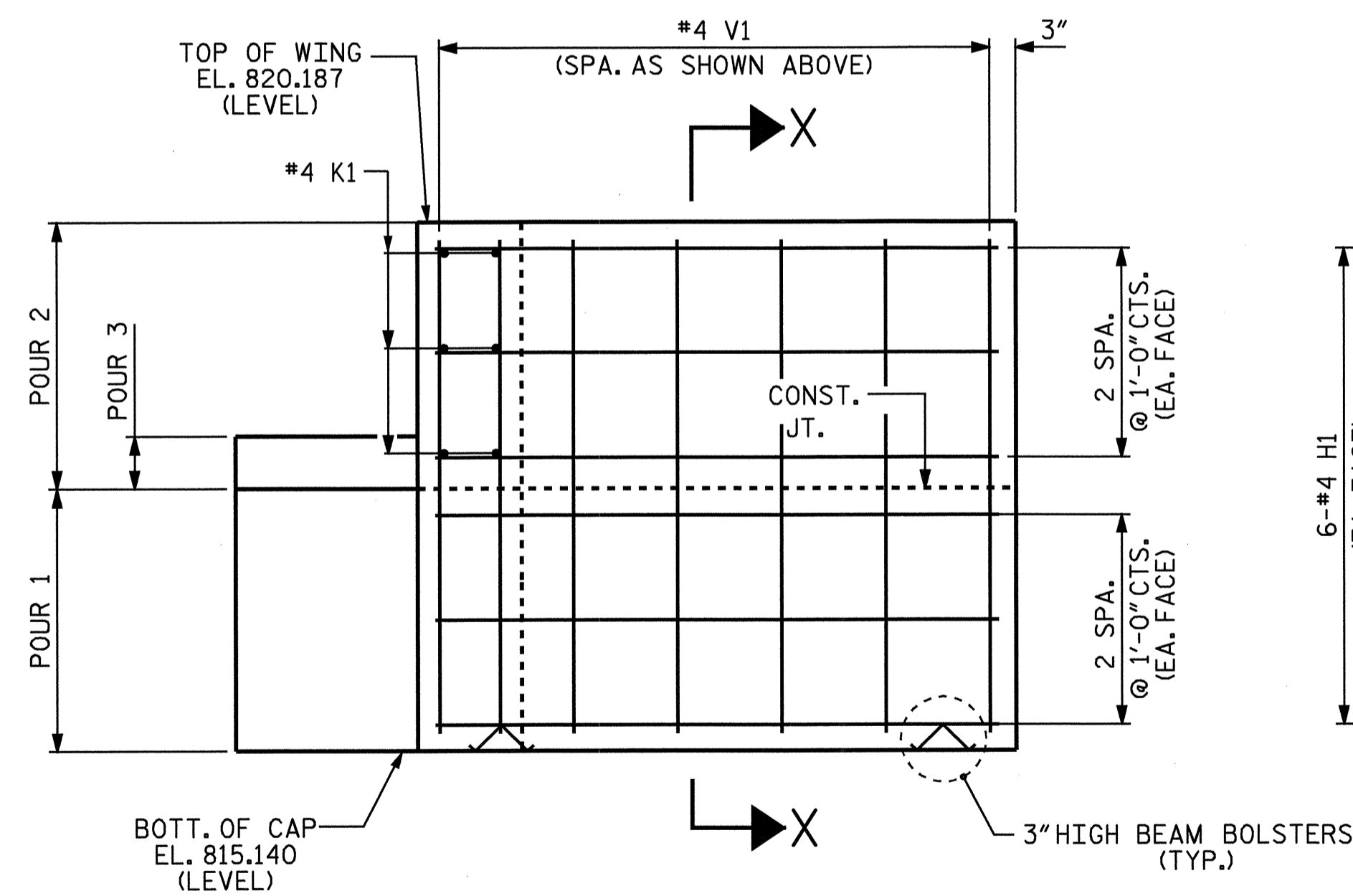


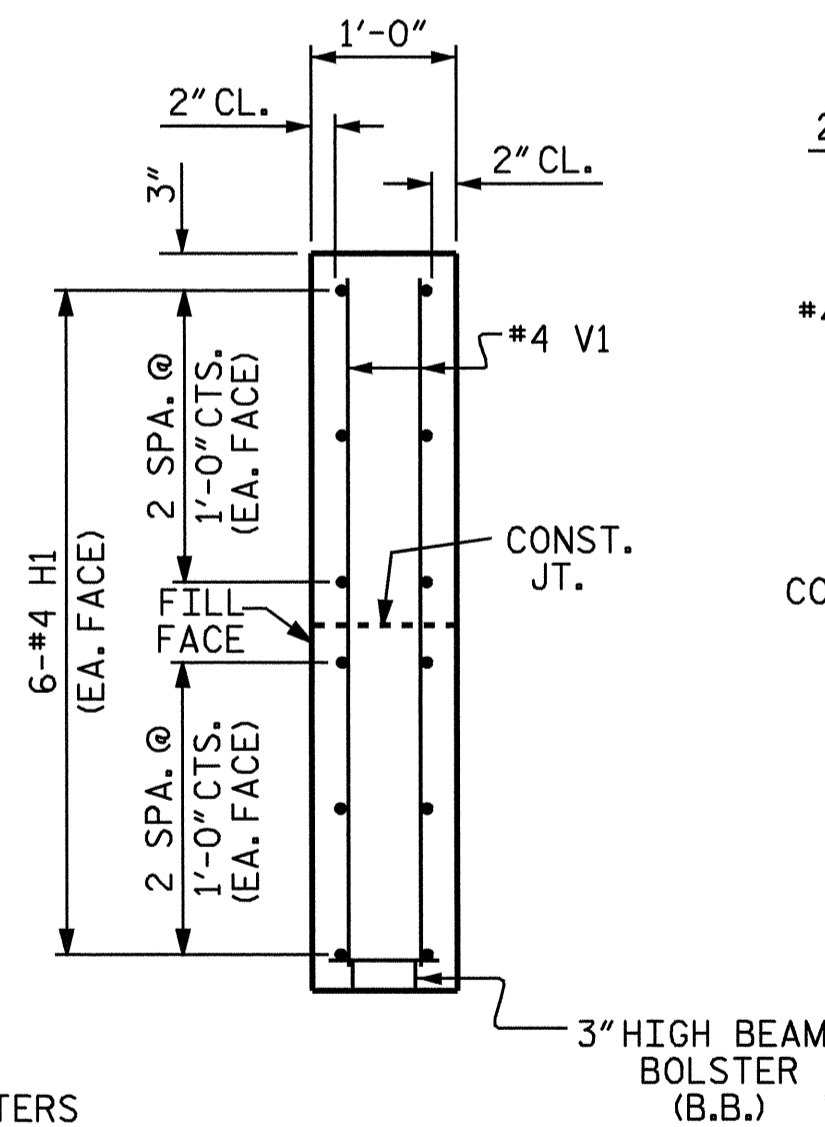
PLAN OF LEFT WING - W1



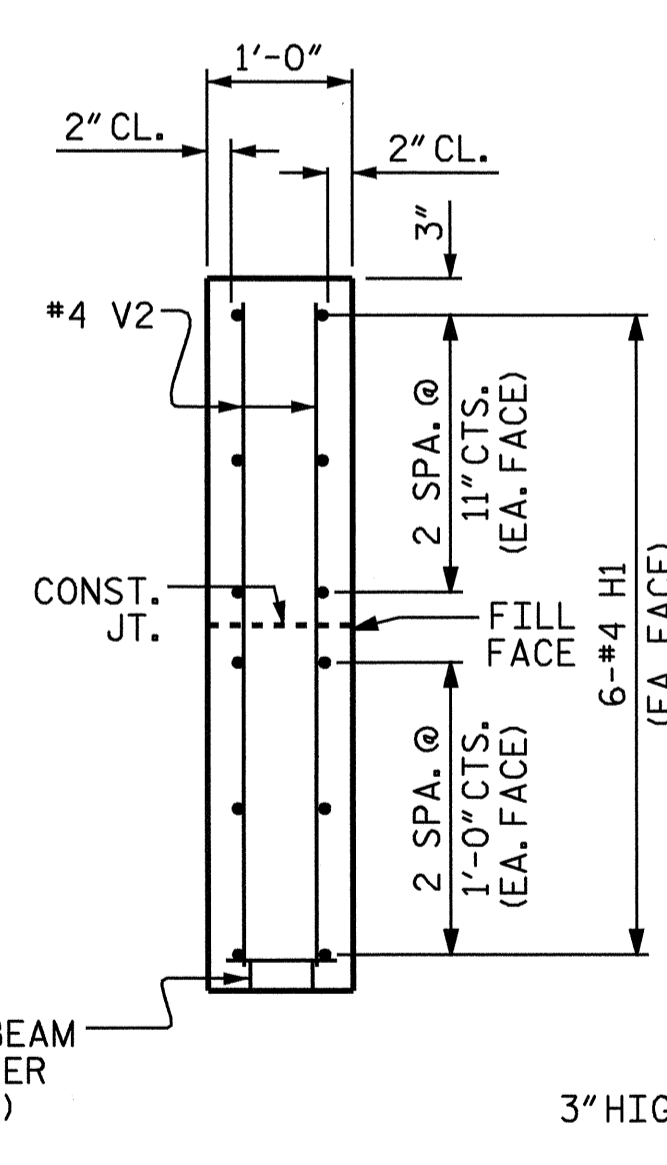
PLAN OF RIGHT WING - W2



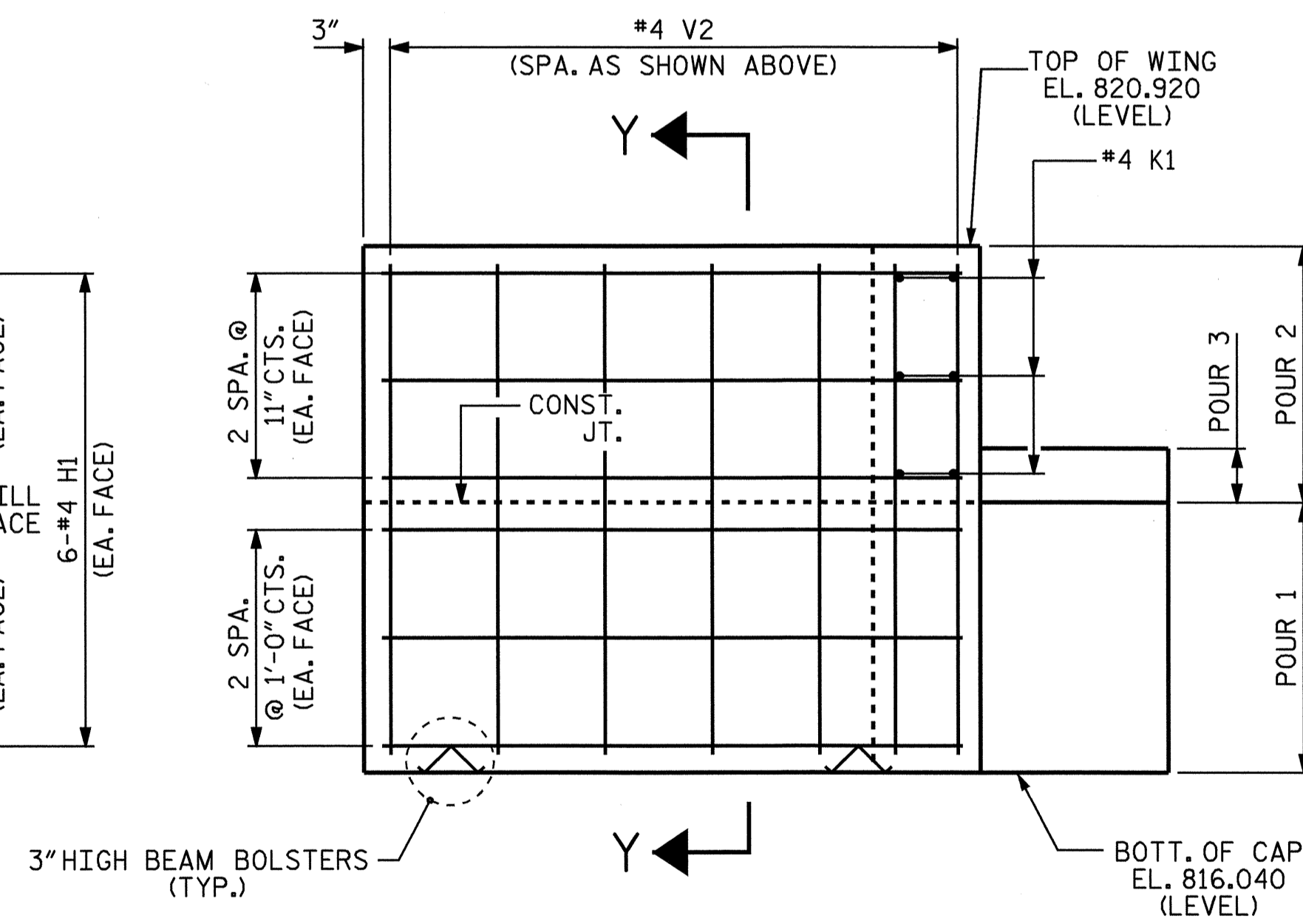
ELEVATION OF LEFT WING - W1



SECTION X-X



SECTION Y-Y



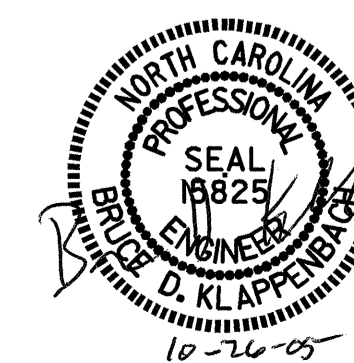
ELEVATION OF RIGHT WING - W2

PROJECT NO. B-3847
 GUILFORD COUNTY
 STATION: 14+60.00 -L-

SHEET 2 OF 3

STATE OF NORTH CAROLINA
 DEPARTMENT OF TRANSPORTATION
 RALEIGH

SUBSTRUCTURE
 END BENT 1



DRAWN BY : M. G. SHAIKH DATE : 05-12-05
 CHECKED BY : D. A. GLADDEN DATE : 10-17-05

26-OCT-2005 13:53
 I:\STRUCT\2\mshaikh\MICROS\1\B-3847_sd.E*.dgn
 mshaikh

REVISIONS						SHEET NO.
NO.	BY:	DATE:	NO.	BY:	DATE:	S-14
1			3			TOTAL SHEETS
2			4			23