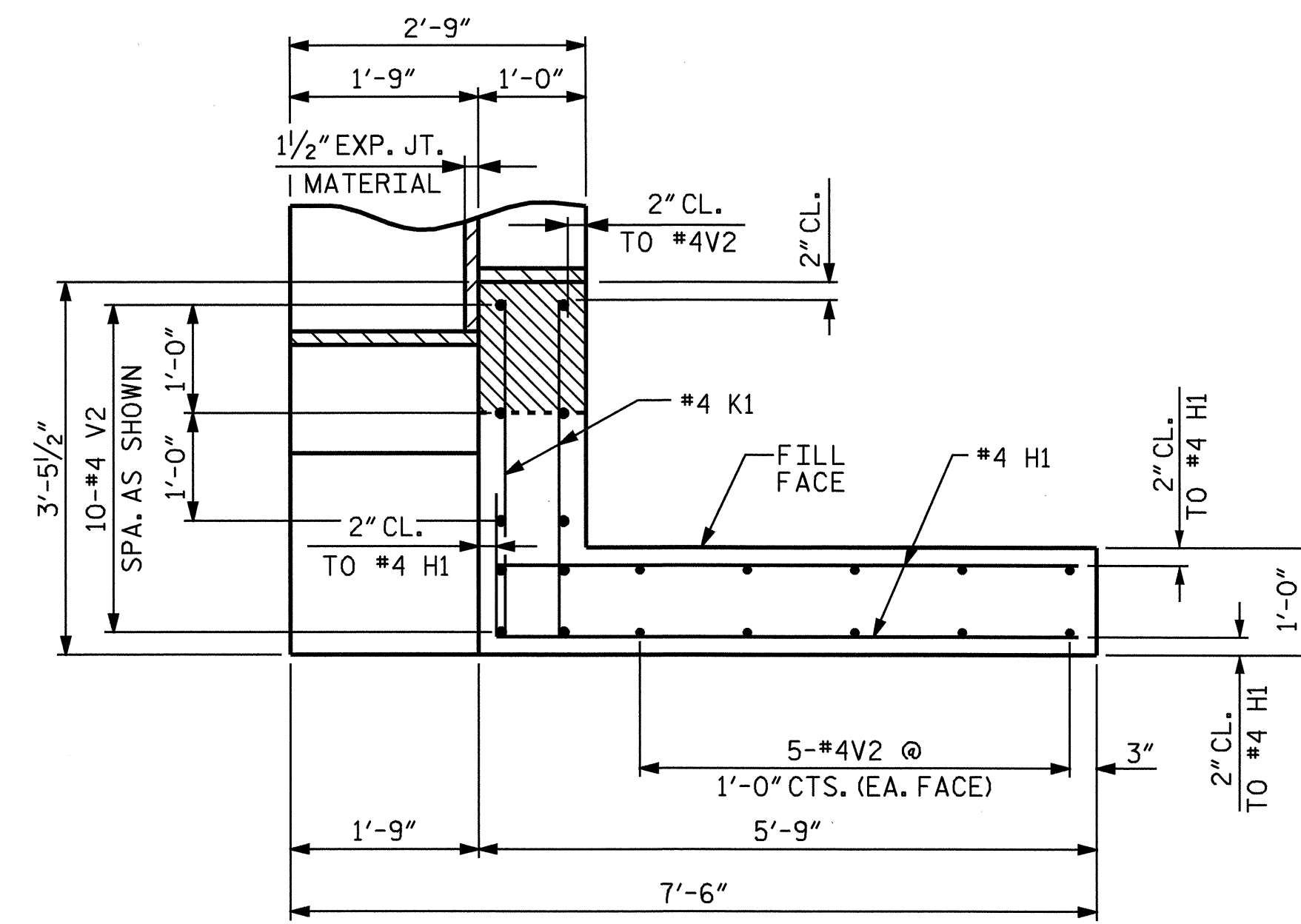
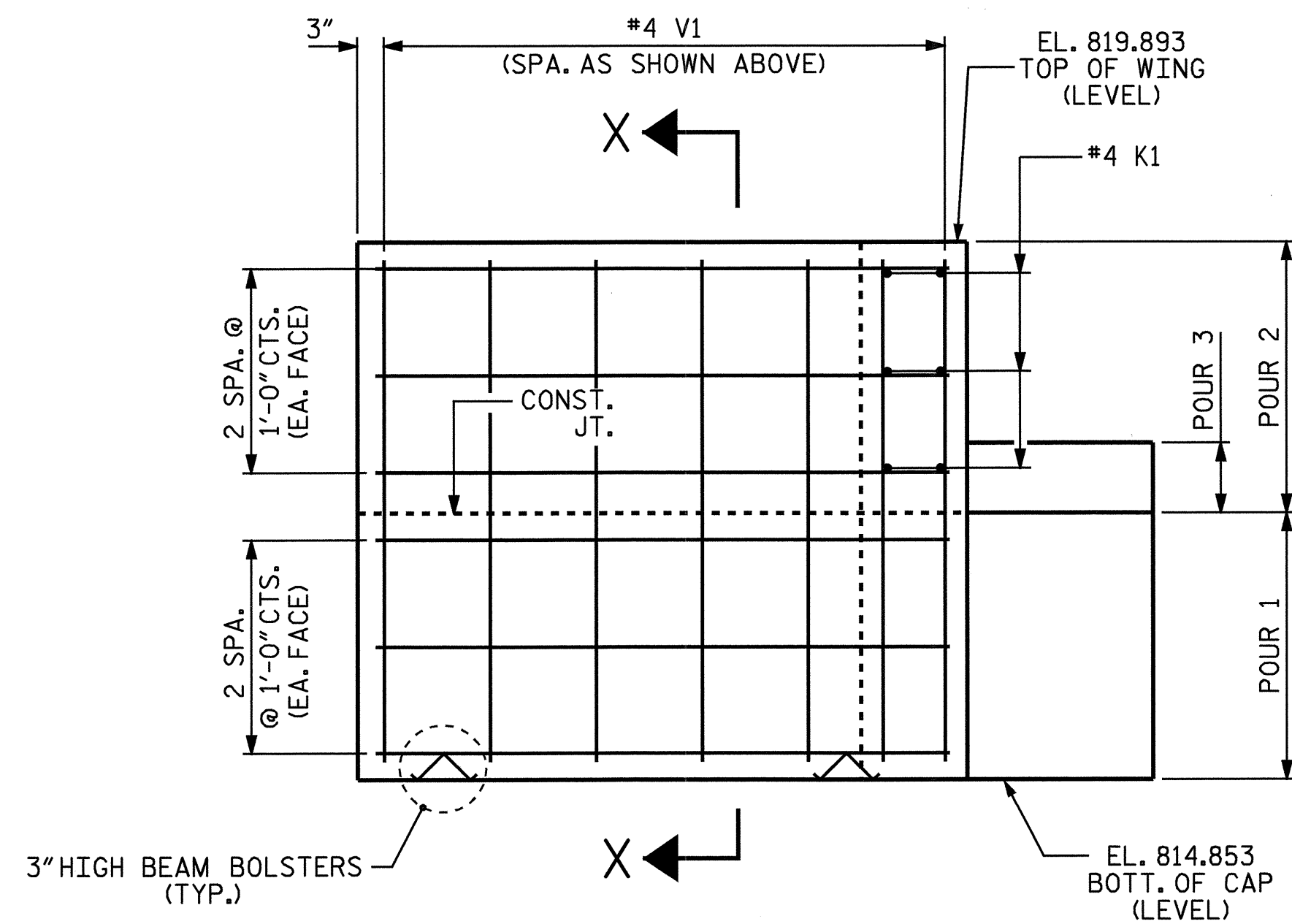


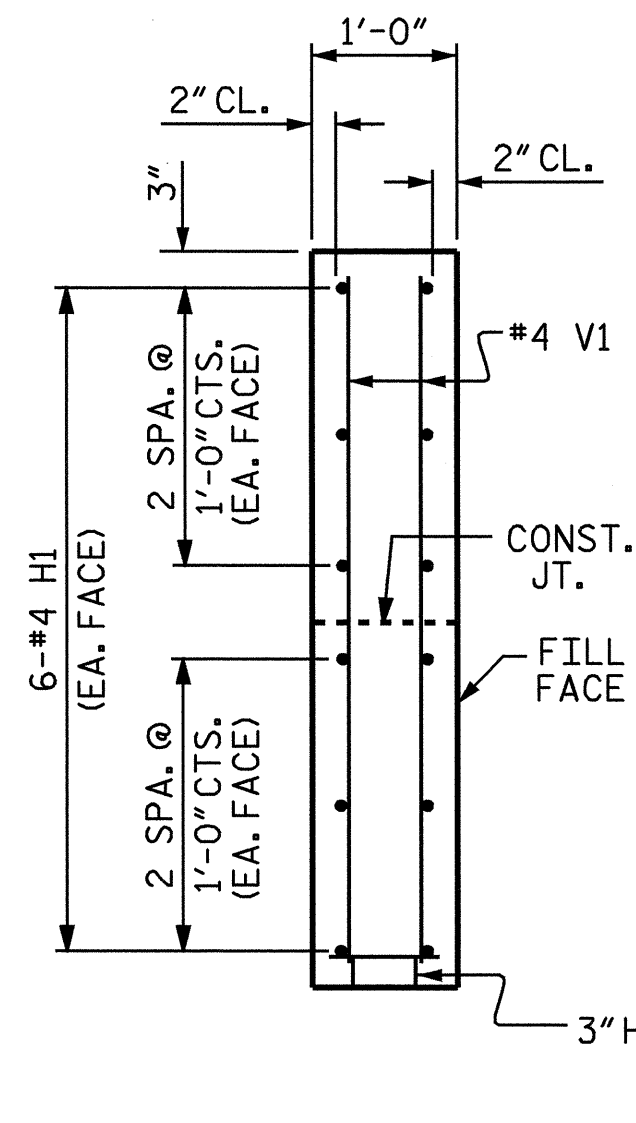
PLAN OF LEFT WING - W1



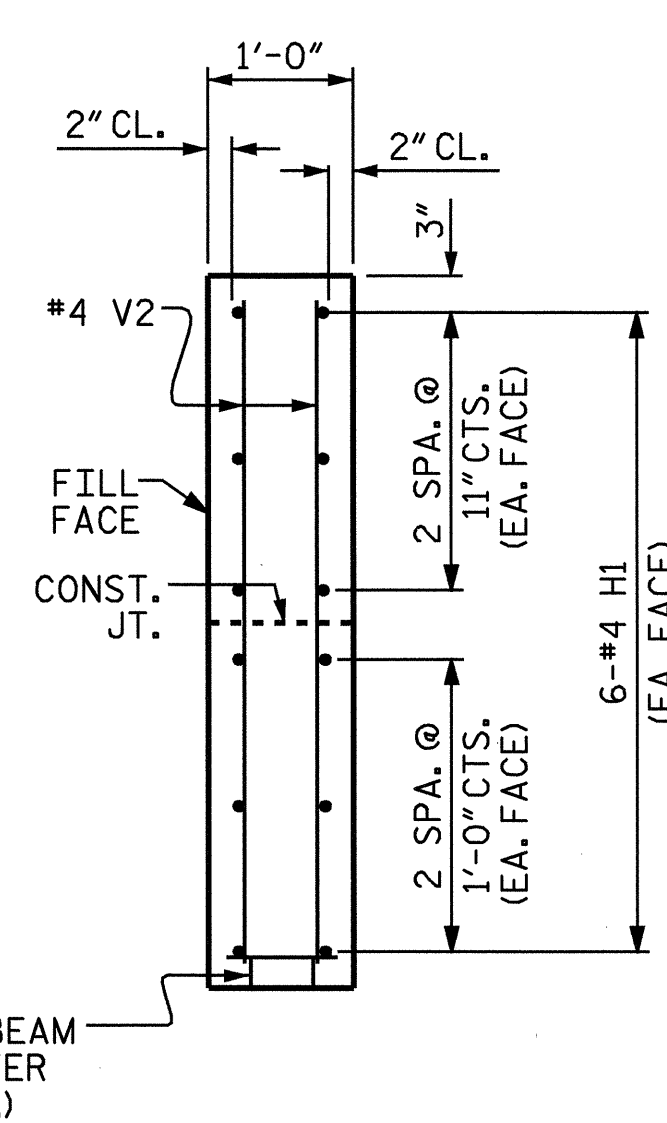
PLAN OF RIGHT WING - W2



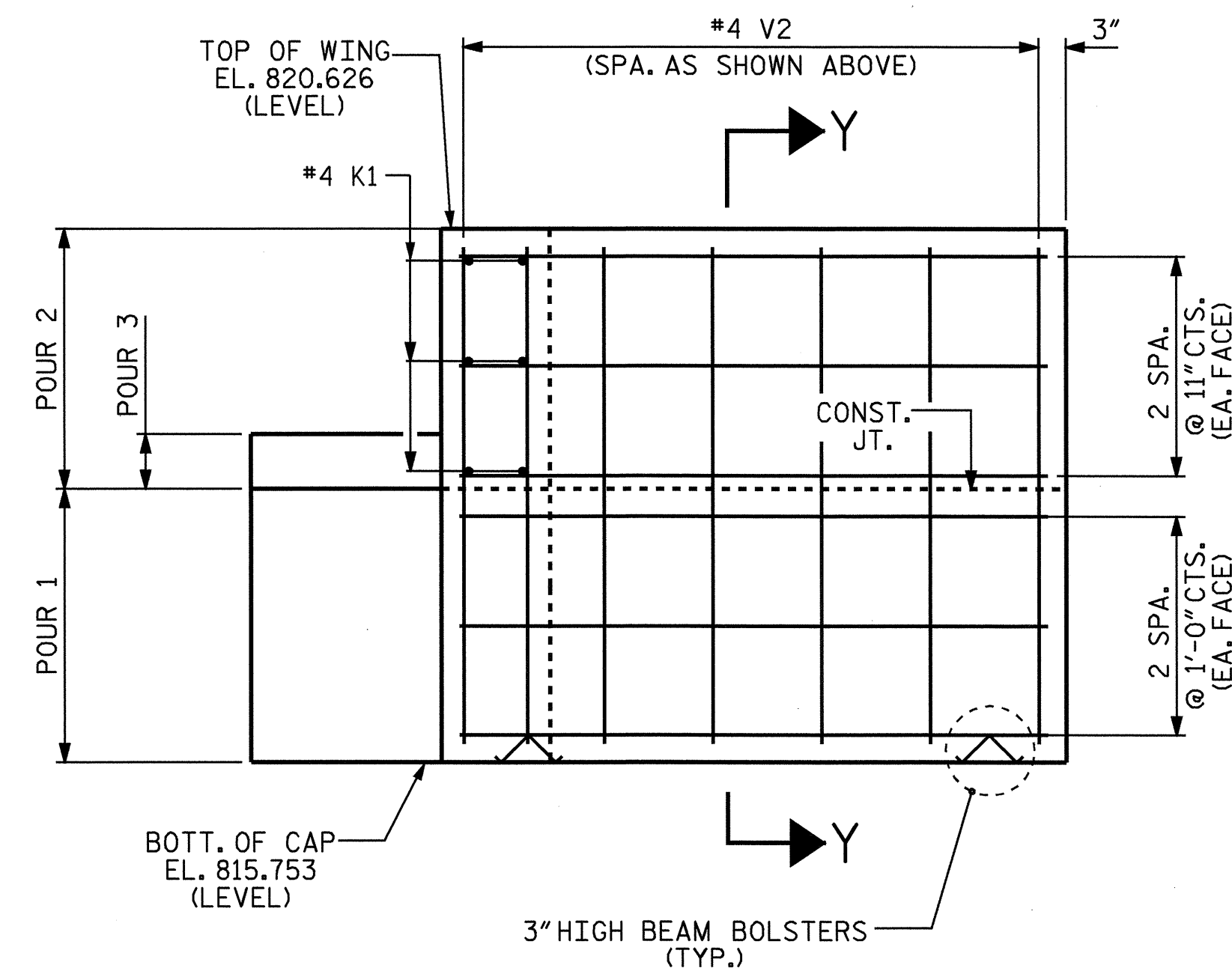
ELEVATION OF LEFT WING - W1



SECTION X-X



SECTION Y-Y



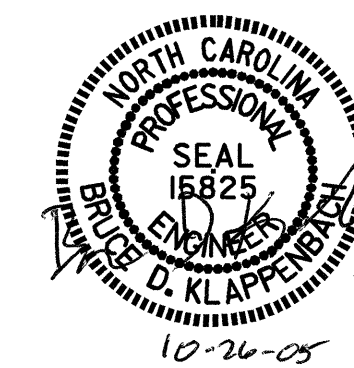
ELEVATION OF RIGHT WING - W2

PROJECT NO. B-3847  
GUILFORD COUNTY  
 STATION: 14+60.00 -L-

SHEET 2 OF 3

STATE OF NORTH CAROLINA  
 DEPARTMENT OF TRANSPORTATION  
 RALEIGH

SUBSTRUCTURE  
 END BENT 2



DRAWN BY : M. G. SHAIKH DATE : 05-13-05  
 CHECKED BY : D. A. GLADDEN DATE : 10-17-05

26-OCT-2005 13:52  
 I:\STRUCT\mshaiKH\MICROS\B-3847\_sd.E\*.dgn  
 mshaiKH

REVISIONS						SHEET NO.
NO.	BY:	DATE:	NO.	BY:	DATE:	
1			3			5-19
2			4			TOTAL SHEETS 23