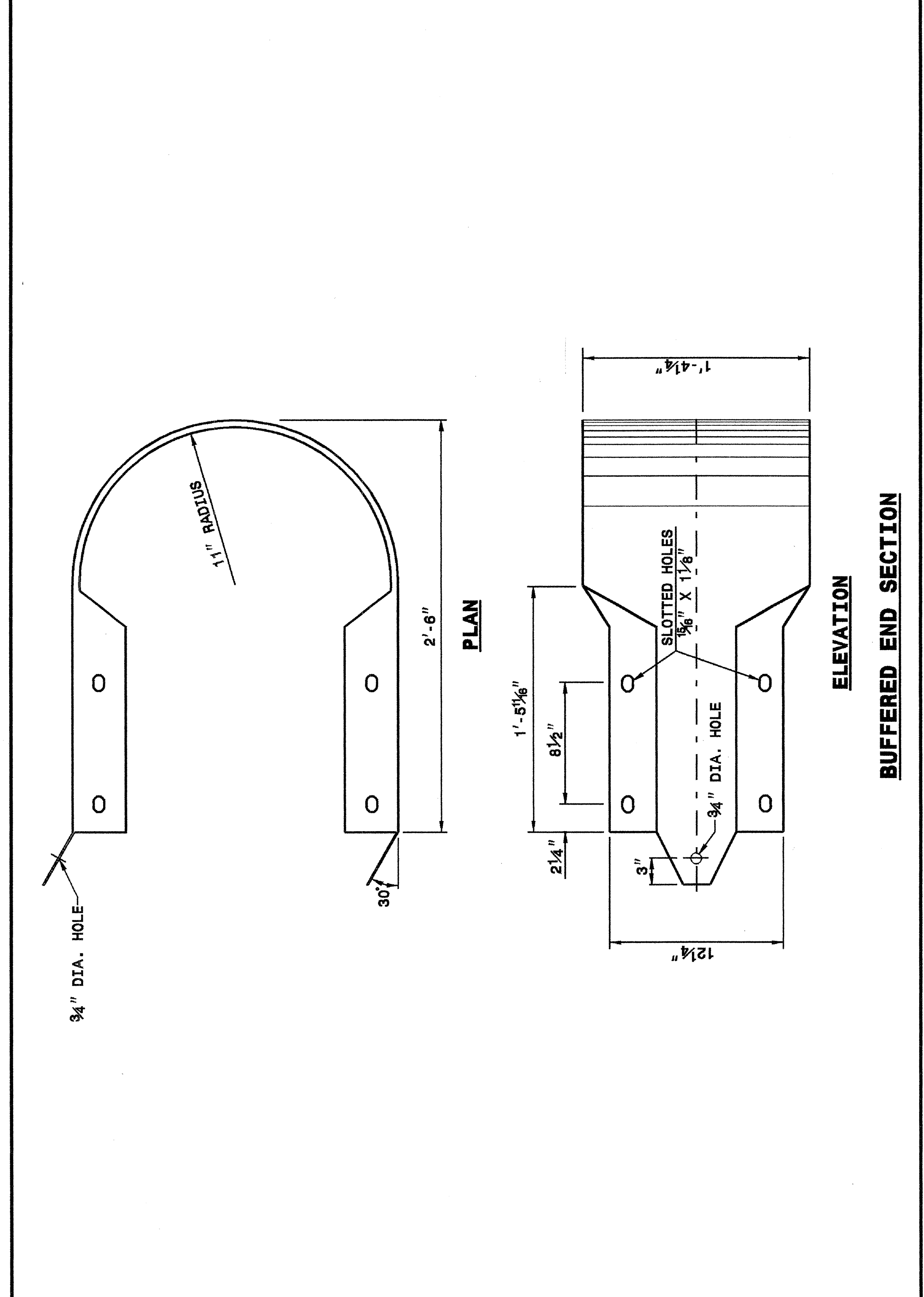


STATE OF NORTH CAROLINA  
DEPT. OF TRANSPORTATION  
DIVISION OF HIGHWAYS  
RALEIGH, N.C.

ENGLISH DETAIL DRAWING FOR  
GUARDRAIL INSTALLATION

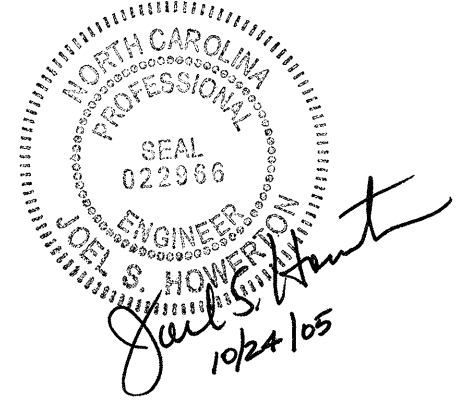
SHEET 7 OF 7  
862D02



STATE OF NORTH CAROLINA  
DEPT. OF TRANSPORTATION  
DIVISION OF HIGHWAYS  
RALEIGH, N.C.

ENGLISH DETAIL DRAWING FOR  
GUARDRAIL INSTALLATION

SHEET 7 OF 7  
862D02



DESIGN SERVICES UNIT  
STANDARDS AND SPECIAL DESIGN  
Office 919-250-4128 FAX 919-250-4119

SEE PLATE FOR TITLE

ORIGINAL BY: 2002 STD. 862.02 DATE:  
MODIFIED BY: E.E. WARD DATE: 02-09-03  
CHECKED BY: DATE:  
FILE SPEC.: /usr/stds/02todetail/english/86202/862d02.dgn

5/14/99  
 W:\Special Details\stds\stds\02\stds to Special Details\english\86202\862d02.dgn  
 W:\Special Details\stds\stds\02\stds to Special Details\english\86202\862d02.dgn  
 er-toward  
 AT 05188660