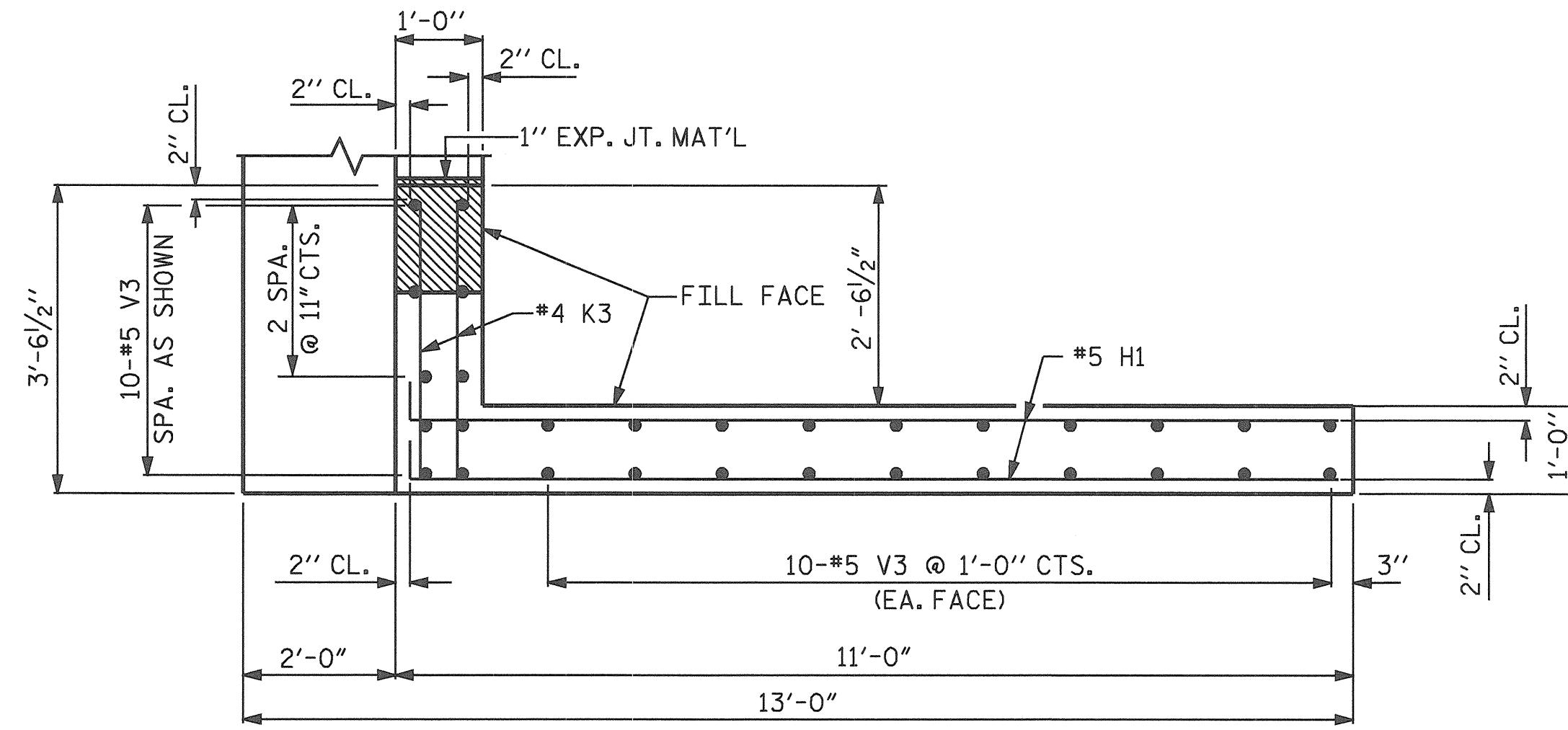
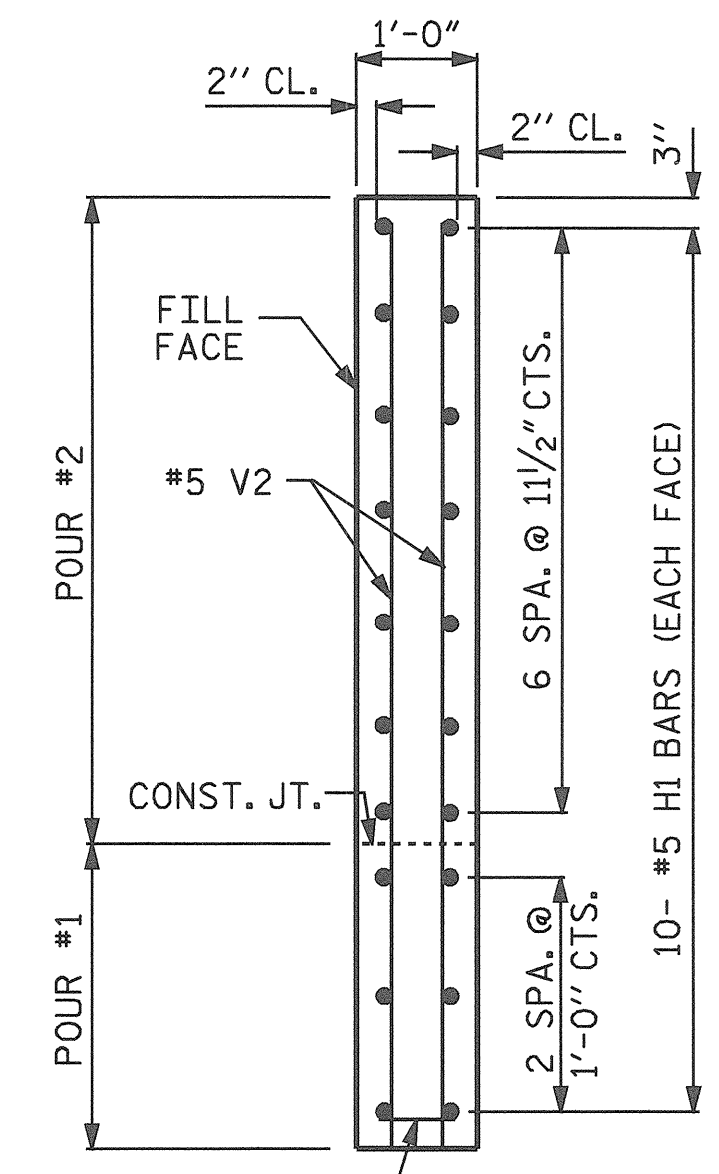


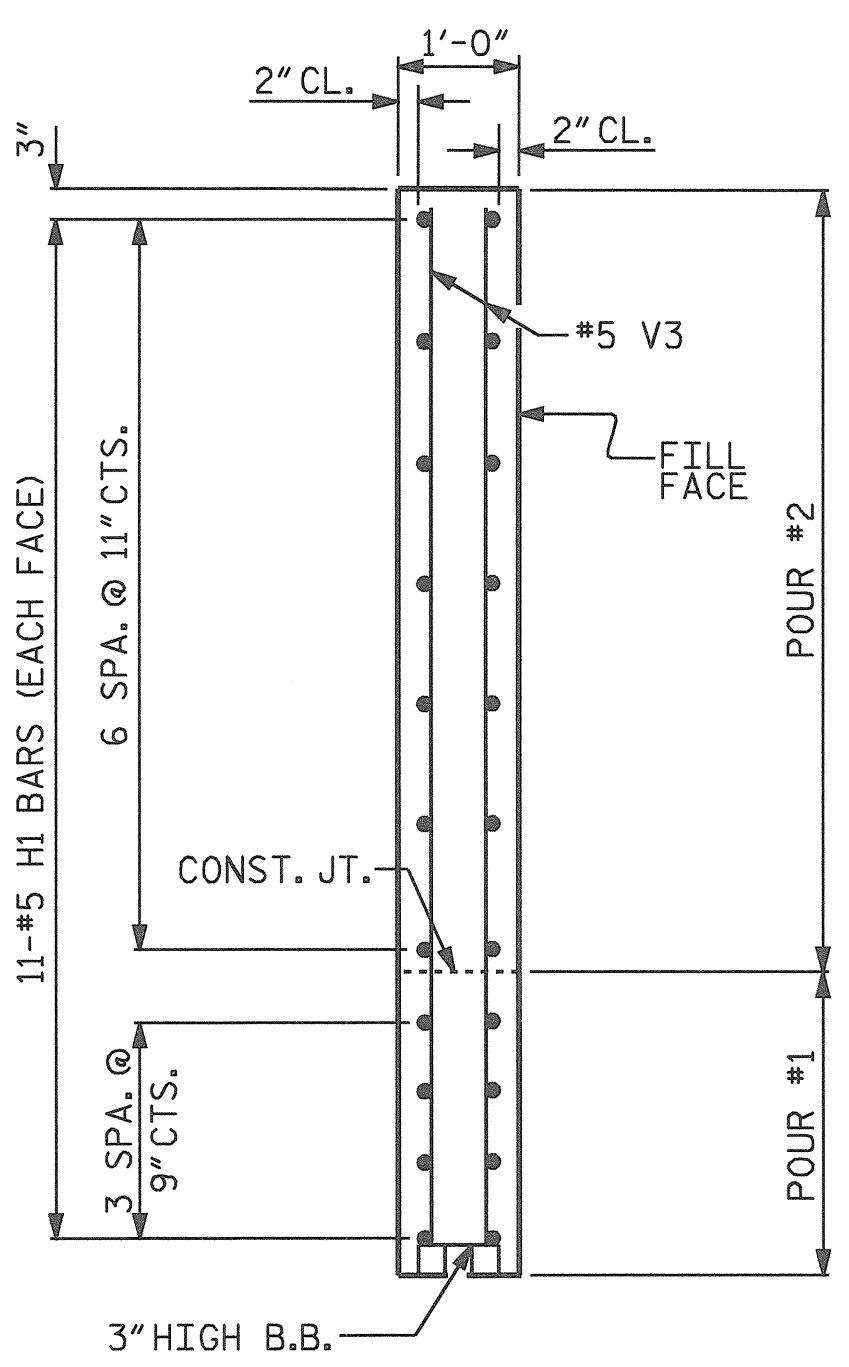
PLAN OF WING (W1)



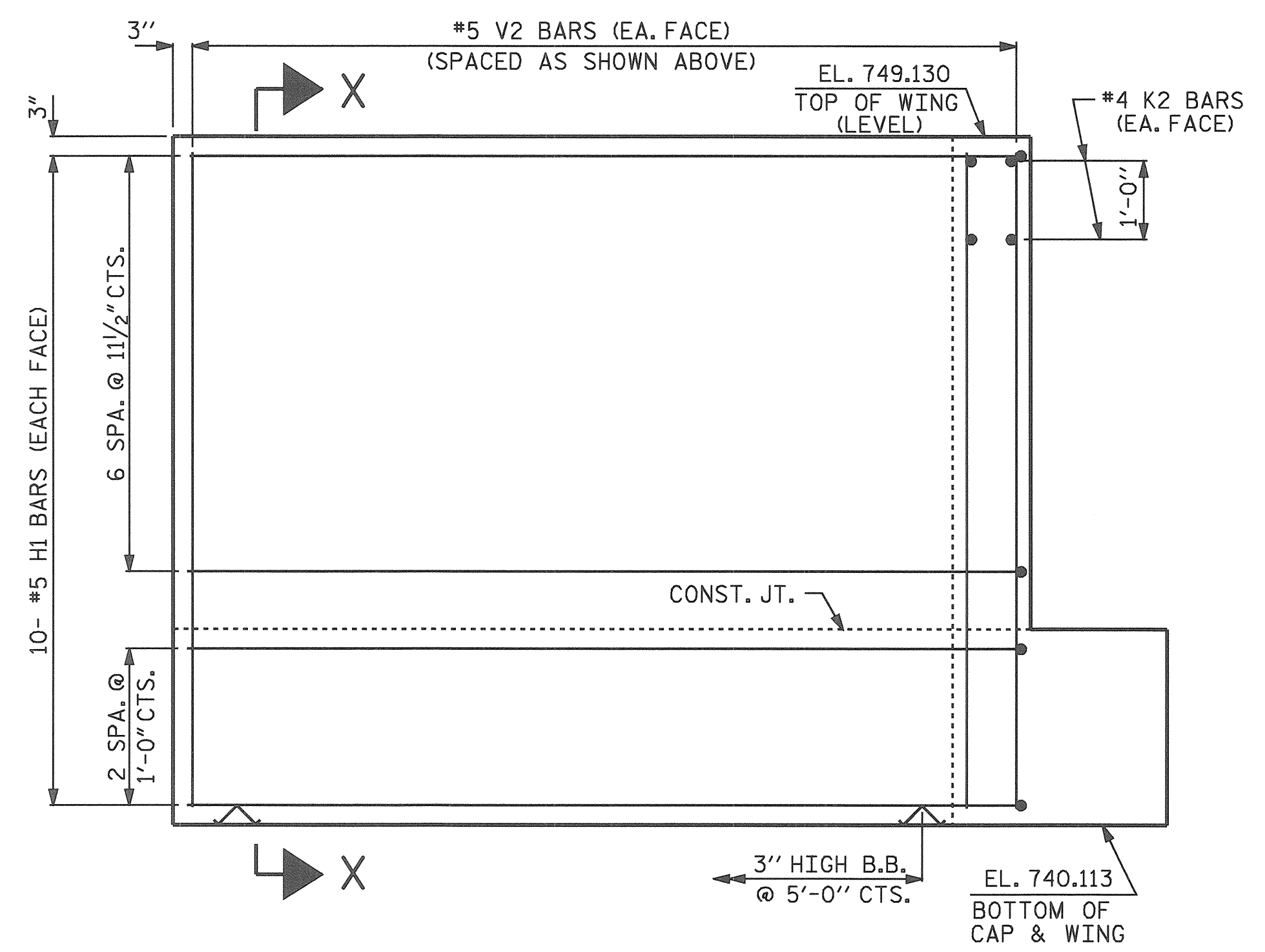
PLAN OF WING (W2)



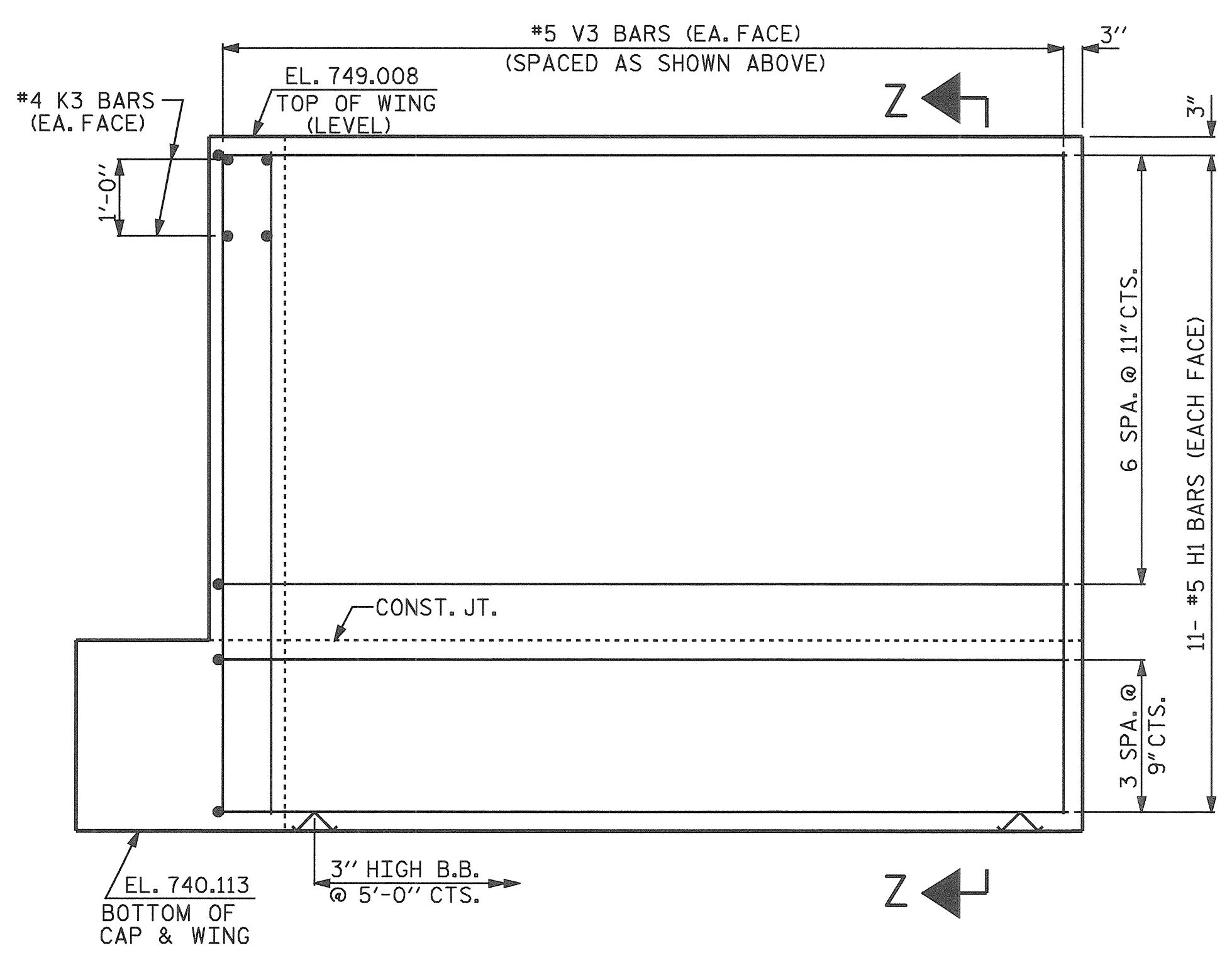
SECTION X-X



SECTION Z-Z



ELEVATION OF WING (W1)

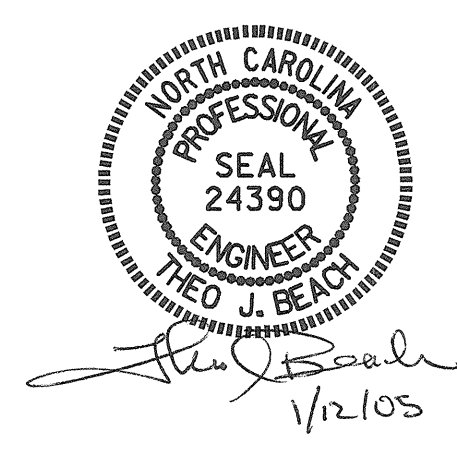


ELEVATION OF WING (W2)

PROJECT NO. B-3652
 GUILFORD COUNTY
 STATION: 21+87.50 -L-

SHEET 2 OF 3

STATE OF NORTH CAROLINA DEPARTMENT OF TRANSPORTATION RALEIGH					
SUBSTRUCTURE END BENT No. 2					
REVISIONS					
NO.	BY:	DATE:	NO.	BY:	DATE:
1			3		
2			4		
SHEET NO. S-32					TOTAL SHEETS 42



DRAWN BY : C. H. SIMPSON DATE : 06/23/04
 CHECKED BY : P. C. BREWER DATE : 06/29/04