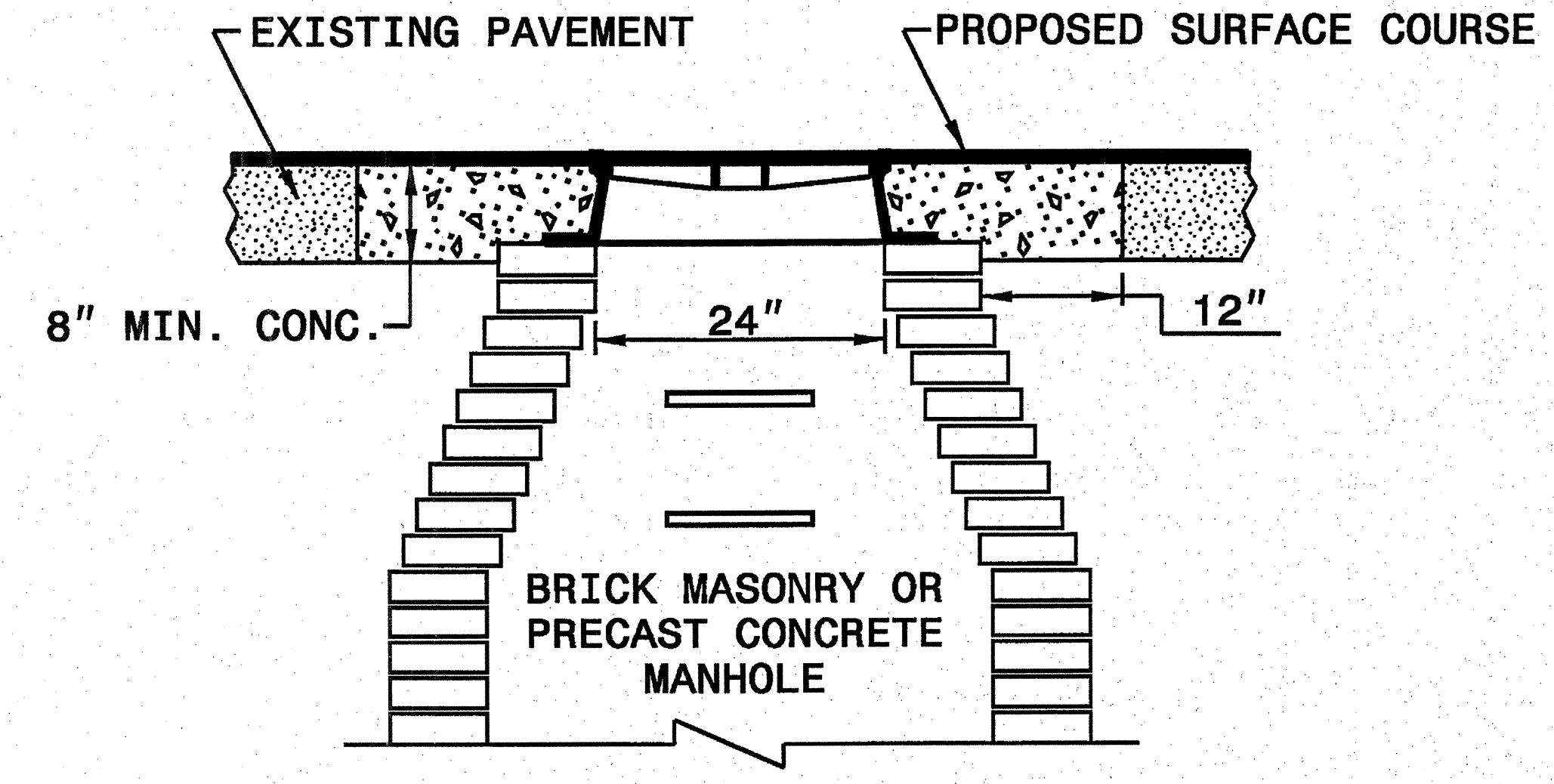


STATE OF NORTH CAROLINA
 DEPT. OF TRANSPORTATION
 DIVISION OF HIGHWAYS
 RALEIGH, N.C.

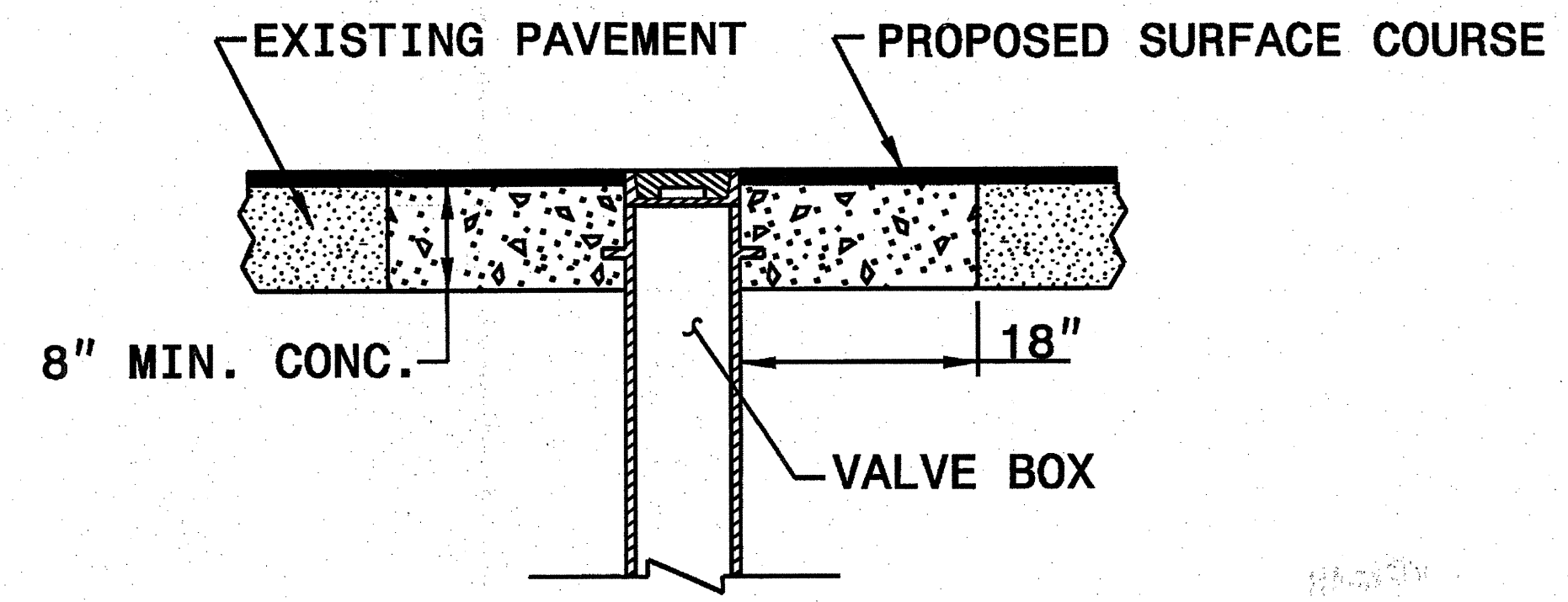
ENGLISH DETAIL DRAWING FOR
MANHOLE AND VALVE BOX ADJUSTMENTS

GENERAL NOTES:

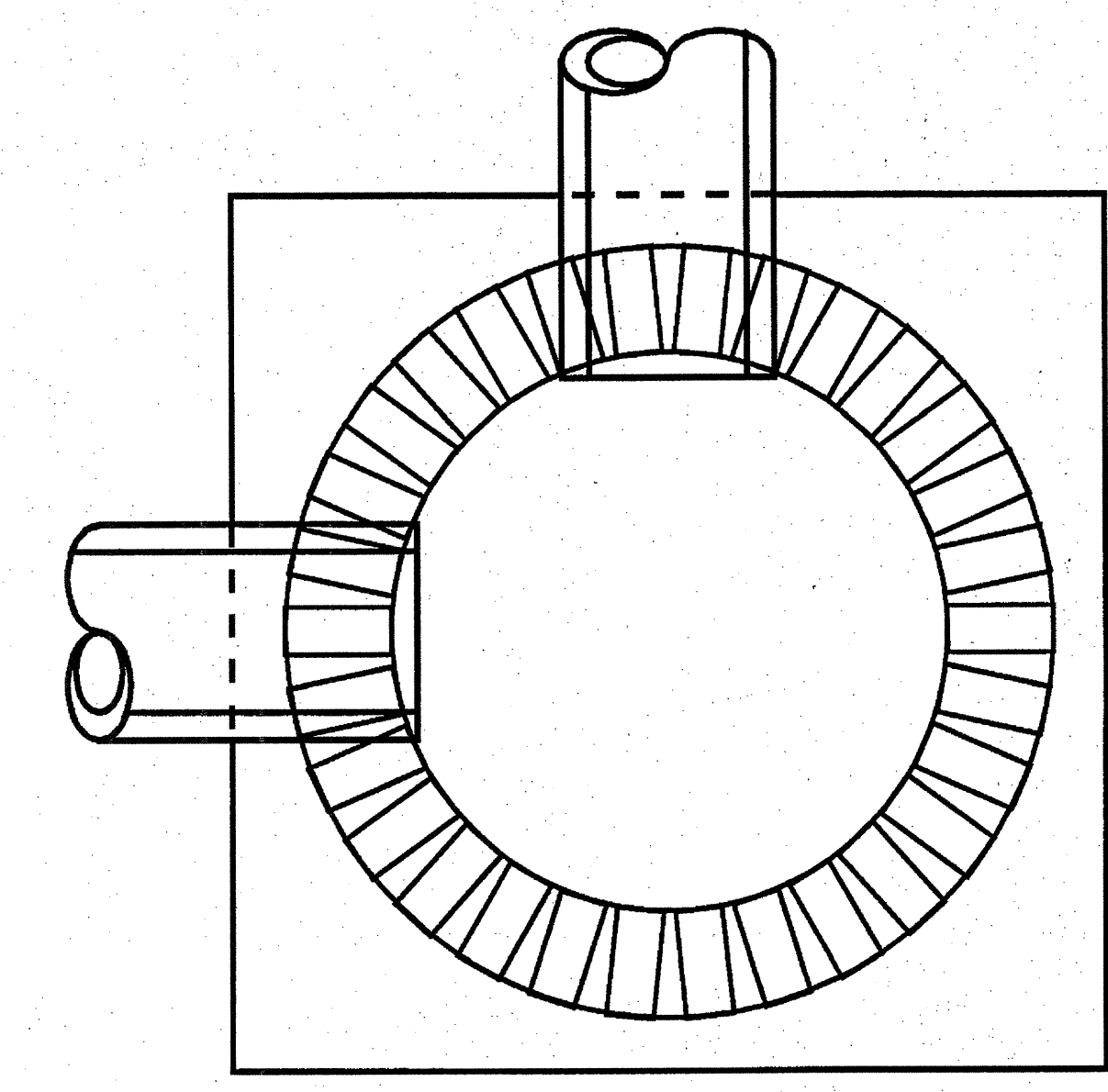
1. RAPID SET GROUT, MORTAR, OR CONCRETE SHALL HAVE A MINIMUM COMPRESSIVE STRENGTH OF 4000 PSI.
2. ALL FAULTY EXISTING BRICKWORK TO BE REMOVED AND REPLACED WITH NEW BRICK MASONRY.
3. EXCAVATION FOR THE ADJUSTMENT SHALL BE SHEER CUT ON ALL SIDES.
4. AREA BELOW 8" DEPTH CAN BE FILLED WITH 78M OR NO. 57 CLEAN STONE.
5. MORTAR SHALL BE MIXED TO NCDOT SPECIFICATIONS.
6. MORTAR JOINTS $\frac{1}{2}$ " \pm $\frac{1}{8}$ "



MANHOLE CONCRETE ENCASEMENT



VALVE BOX CONCRETE ENCASEMENT



ELEVATION VIEW

PLACE BRICK ACCORDING TO ELEVATION VIEW

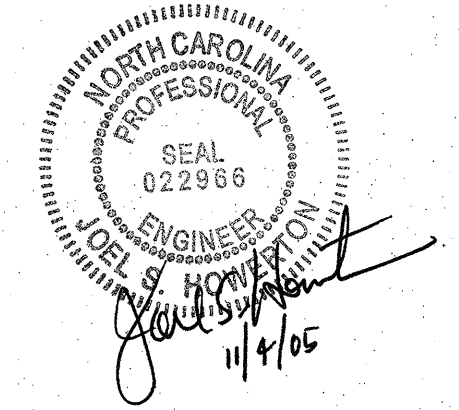
STATE OF NORTH CAROLINA
 DEPT. OF TRANSPORTATION
 DIVISION OF HIGHWAYS
 RALEIGH, N.C.

ENGLISH DETAIL DRAWING FOR
MANHOLE AND VALVE BOX ADJUSTMENTS

SHEET 1 OF 1
840D55

SHEET 1 OF 1
840D55

26-OCT-2004 11:35
 W:\Special_Details\usr\details\stand\840d55.dgn
 eroward AT DS212260



PROJECT SERVICES UNIT
STANDARDS AND SPECIAL DESIGN
 Office 919-250-4128 FAX 919-250-4119

SEE PLATE FOR TITLE

ORIGINAL BY:	DATE:
MODIFIED BY: E.E. WARD	DATE:
CHECKED BY: <i>andrew</i>	DATE: 11/4/05
FILE SPEC.: J:\usr\details\stand\840d55.dgn	