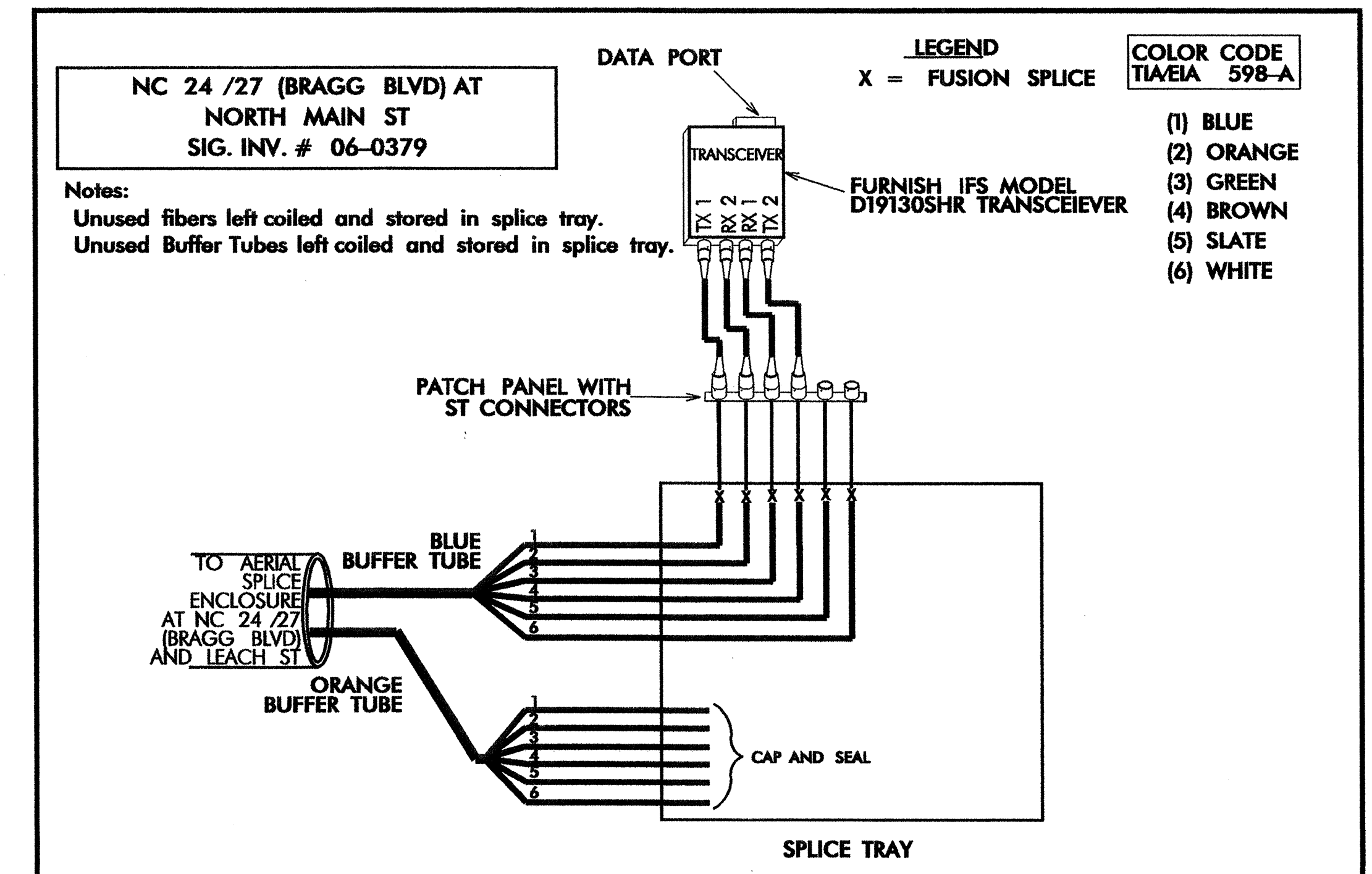
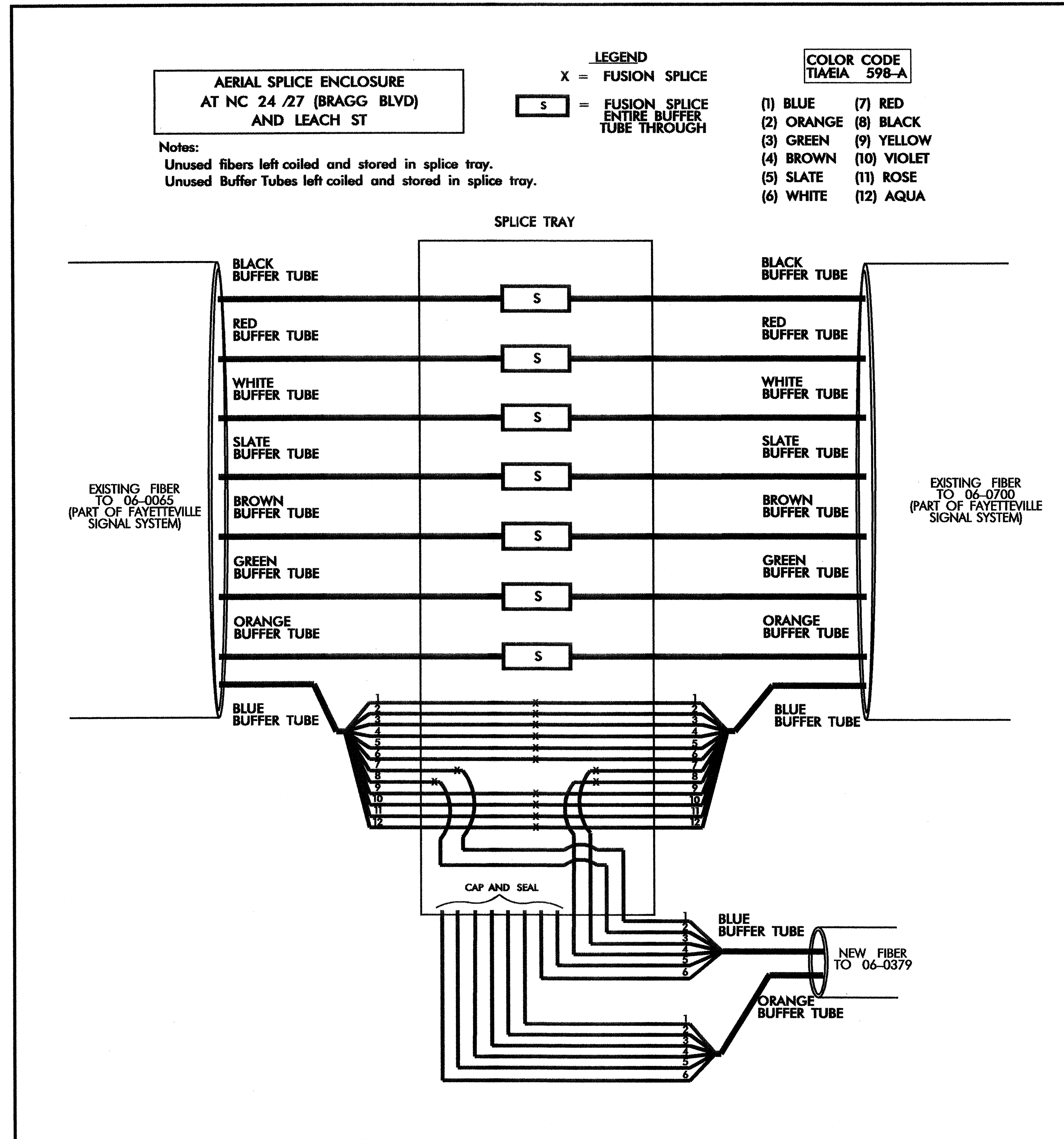


FIBER OPTIC CABLE



TRANSCEIVER TERMINATION CONFIGURATIONS ARE GENERIC. CONTRACTOR IS RESPONSIBLE FOR DETERMINING \ ENSURING PROPER TERMINATIONS

	SPLICE DETAIL		
	DIVISION 06 CUMBERLAND COUNTY SPRING LAKE PLAN DATE: OCTOBER 2004 REVIEWED BY: I. N. AVERY PREPARED BY: S. C. WARDLE REVIEWED BY: G. G. MURR, JR.		
SCALE 	REVISIONS _____ INIT. DATE _____ INIT. DATE	SIGNATURE 	DATE 11-1-04