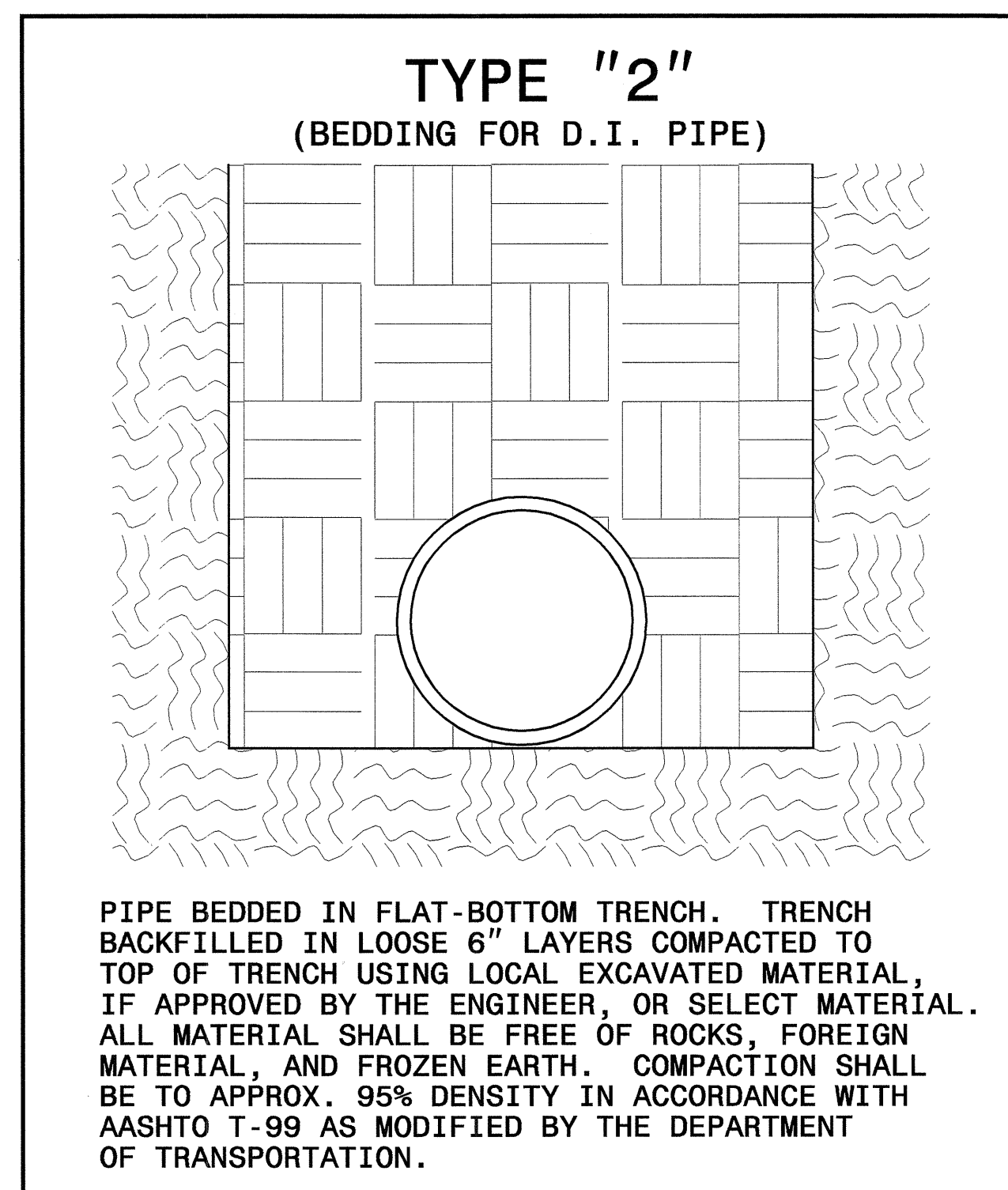
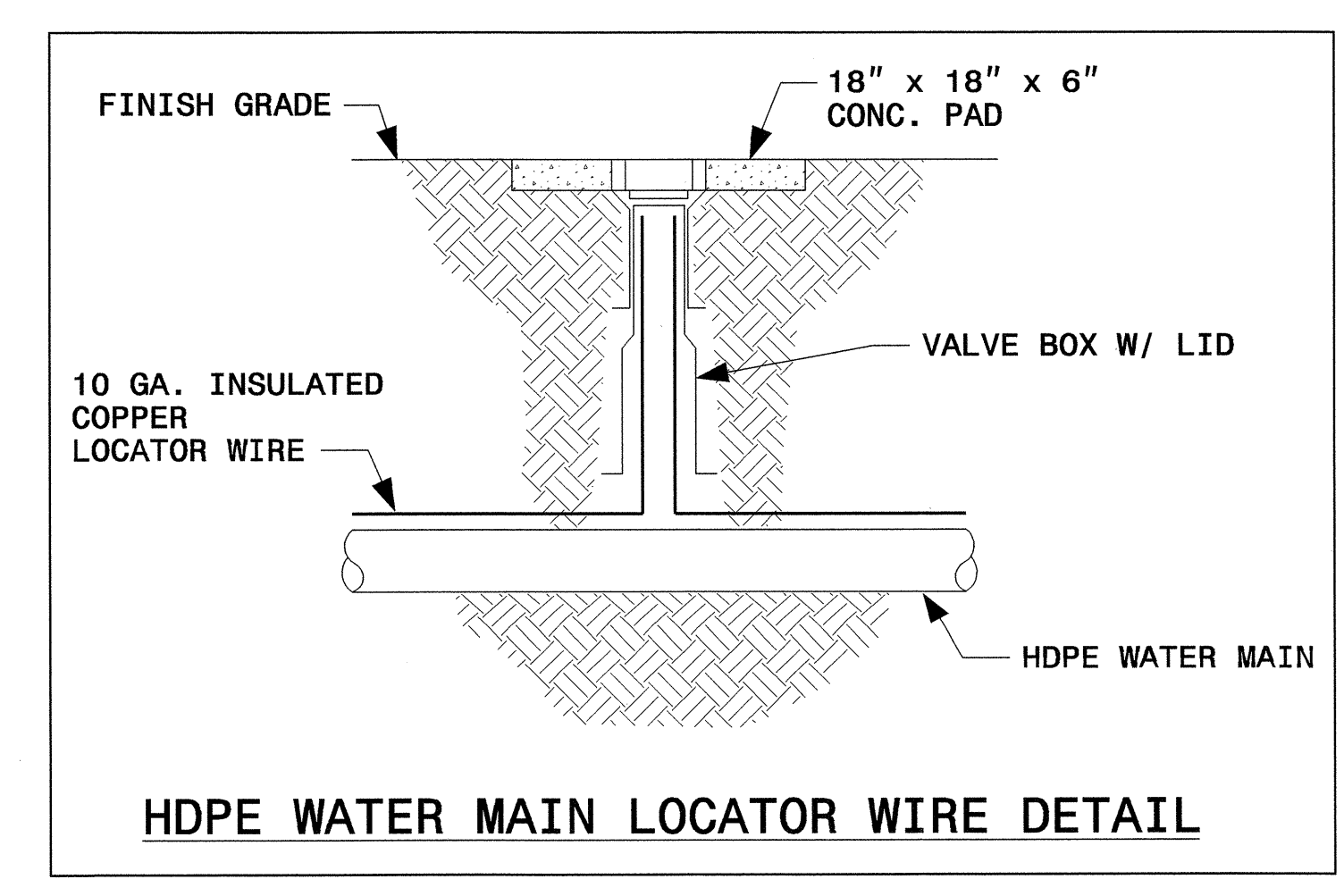
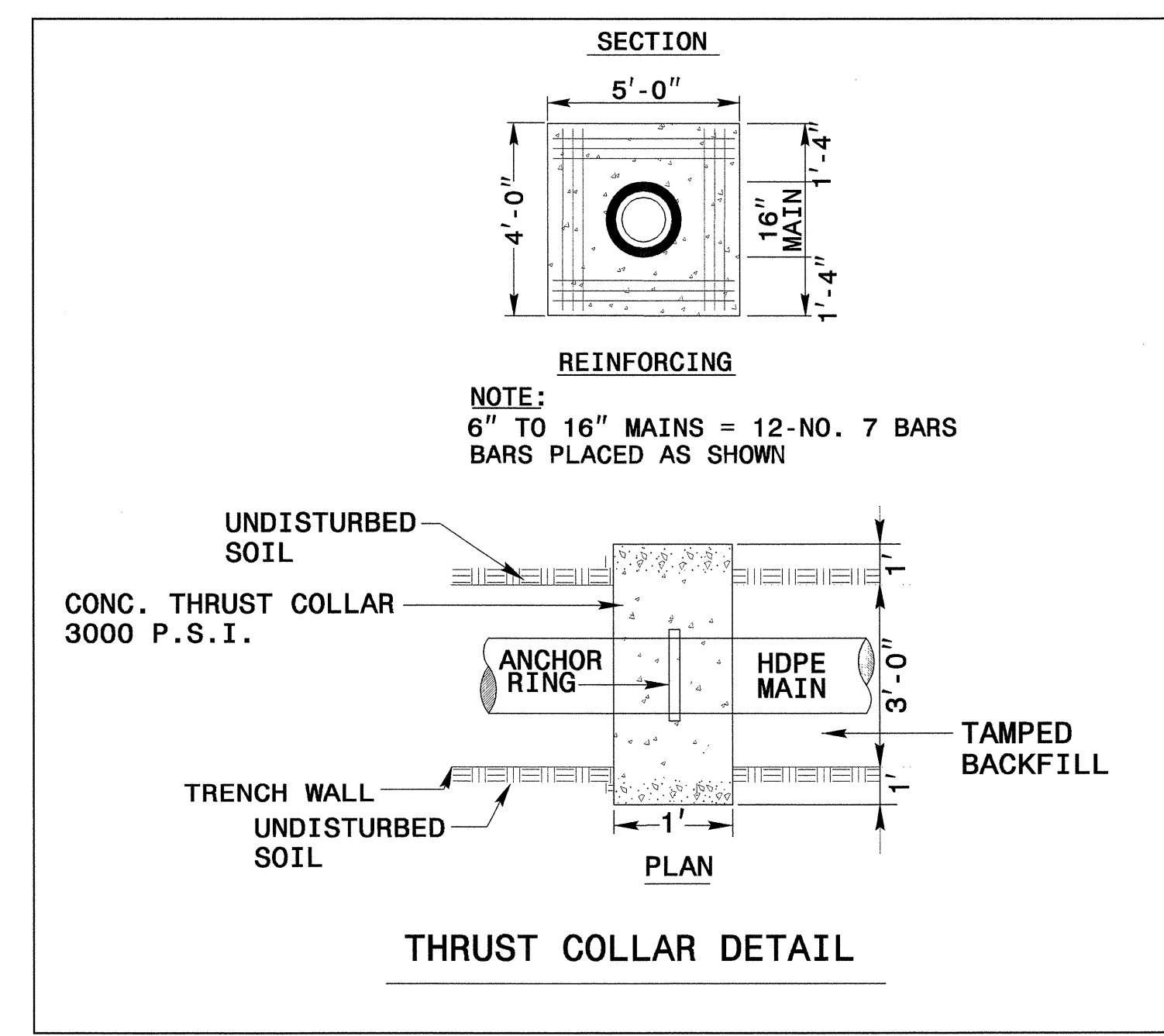
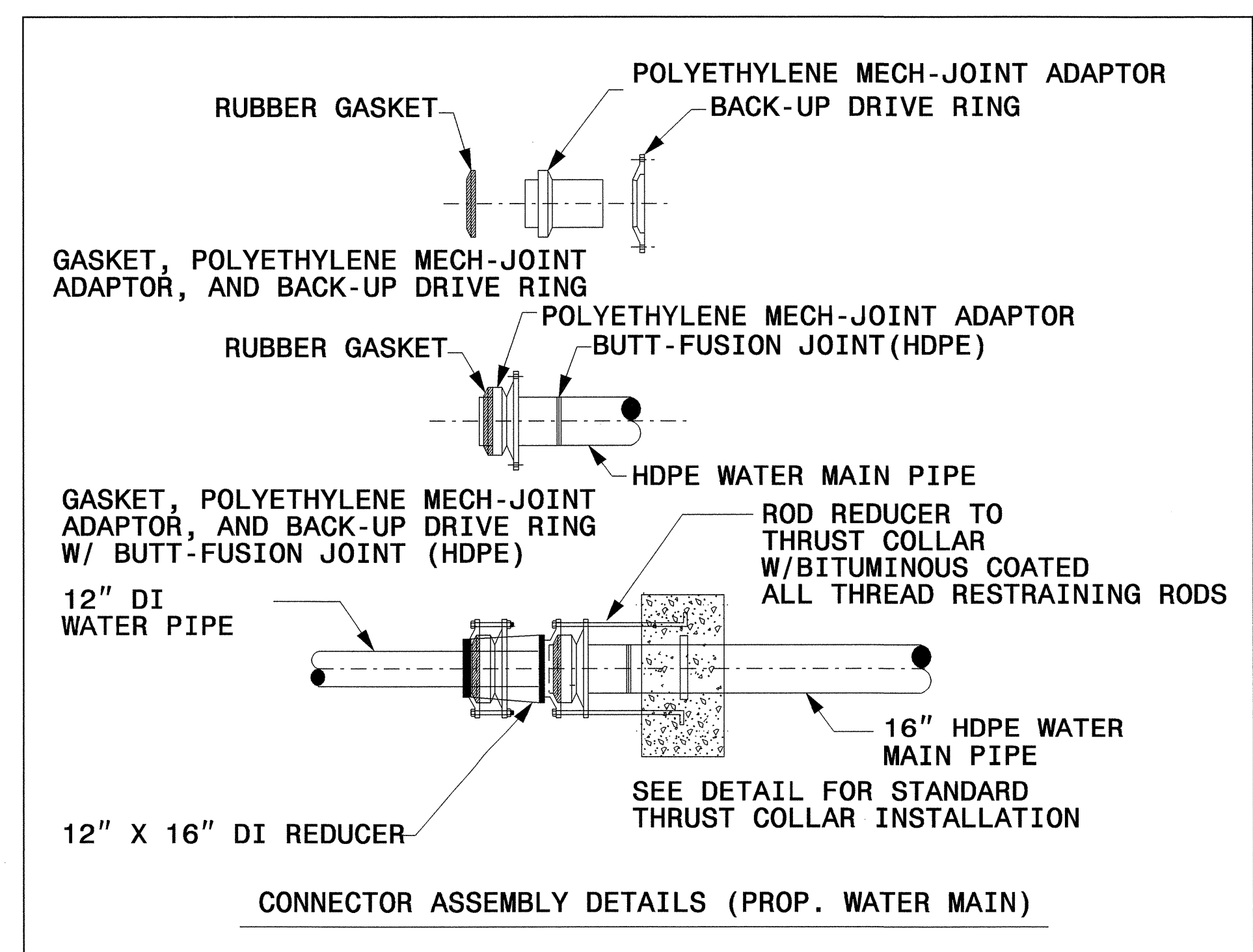
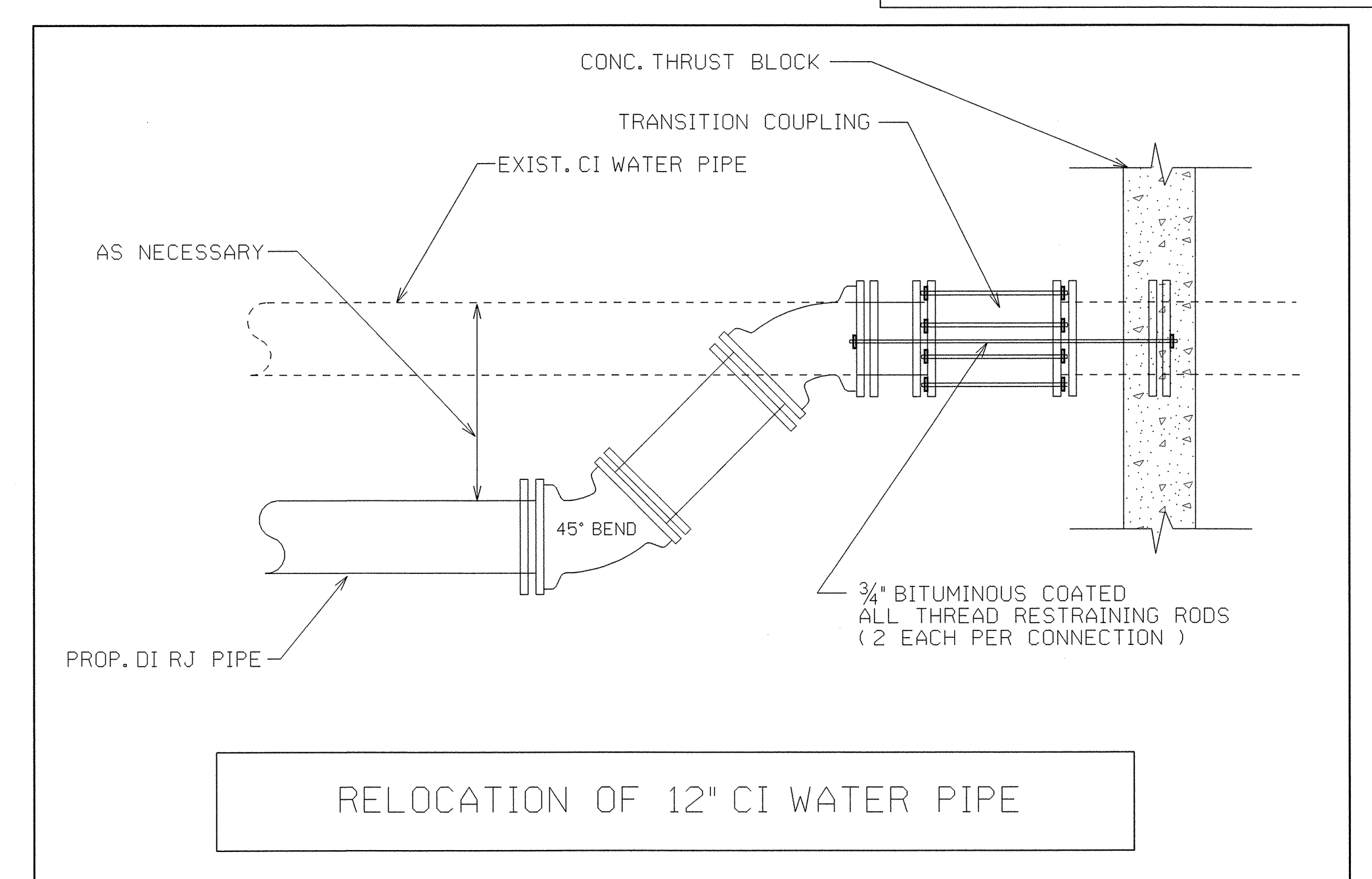


UTILITY CONSTRUCTION



MAXIMUM TRENCH WIDTH AT TOP OF PIPE

NOMINAL PIPE SIZE (INCHES)	TRENCH WIDTH (INCHES)	NOMINAL PIPE SIZE (INCHES)	TRENCH WIDTH (INCHES)
4	28	20	44
6	30	24	48
8	32	30	54
10	34	36	60
12	36	42	66
14	38	48	72
16	40	54	78
18	42		



8/17/99
T.M.E.S. CONSULTING, INC.
1000 W. HARRIS STREET
RANDOLPH, NC 28134
TEL: (704) 781-1111
FAX: (704) 781-1112
WWW.TMESCONSULTING.COM