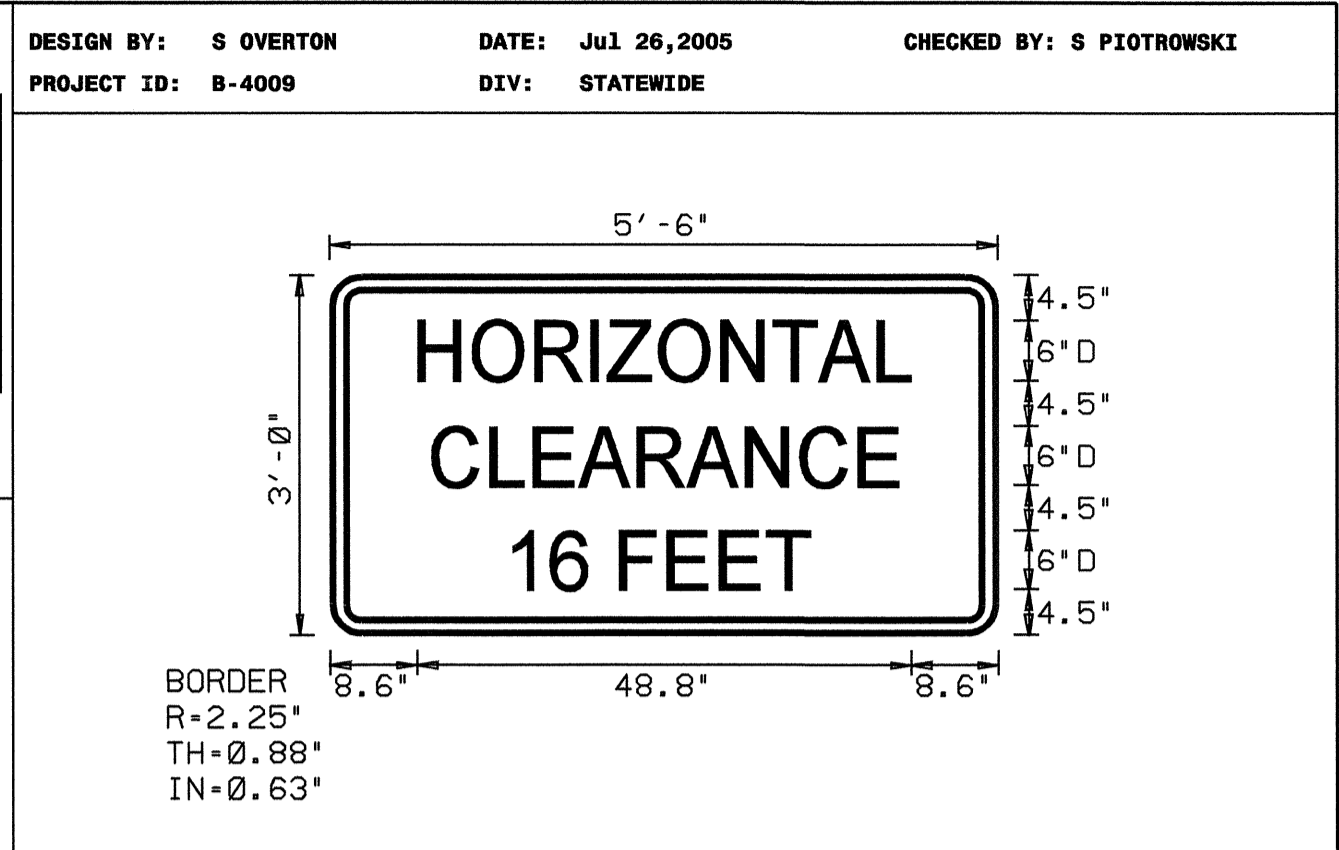


SIGN NUMBER: SPO5233
 TYPE: D
 QUANTITY: 4
 SIGN WIDTH: 5'-6"
 HEIGHT: 3'-0"
 TOTAL AREA: 16.5 Sq.Ft.
 BORDER TYPE: RECESSED
 RECESS: 0.63"
 WIDTH: 0.88"
 RADII: 2.25"
 NO. Z BARS: 1
 LENGTH: 16'-0"
 MAT'L: 0.125" (3.2 mm) ALUMINUM



LETTER POSITIONS

Letter spacings are to start of next letter

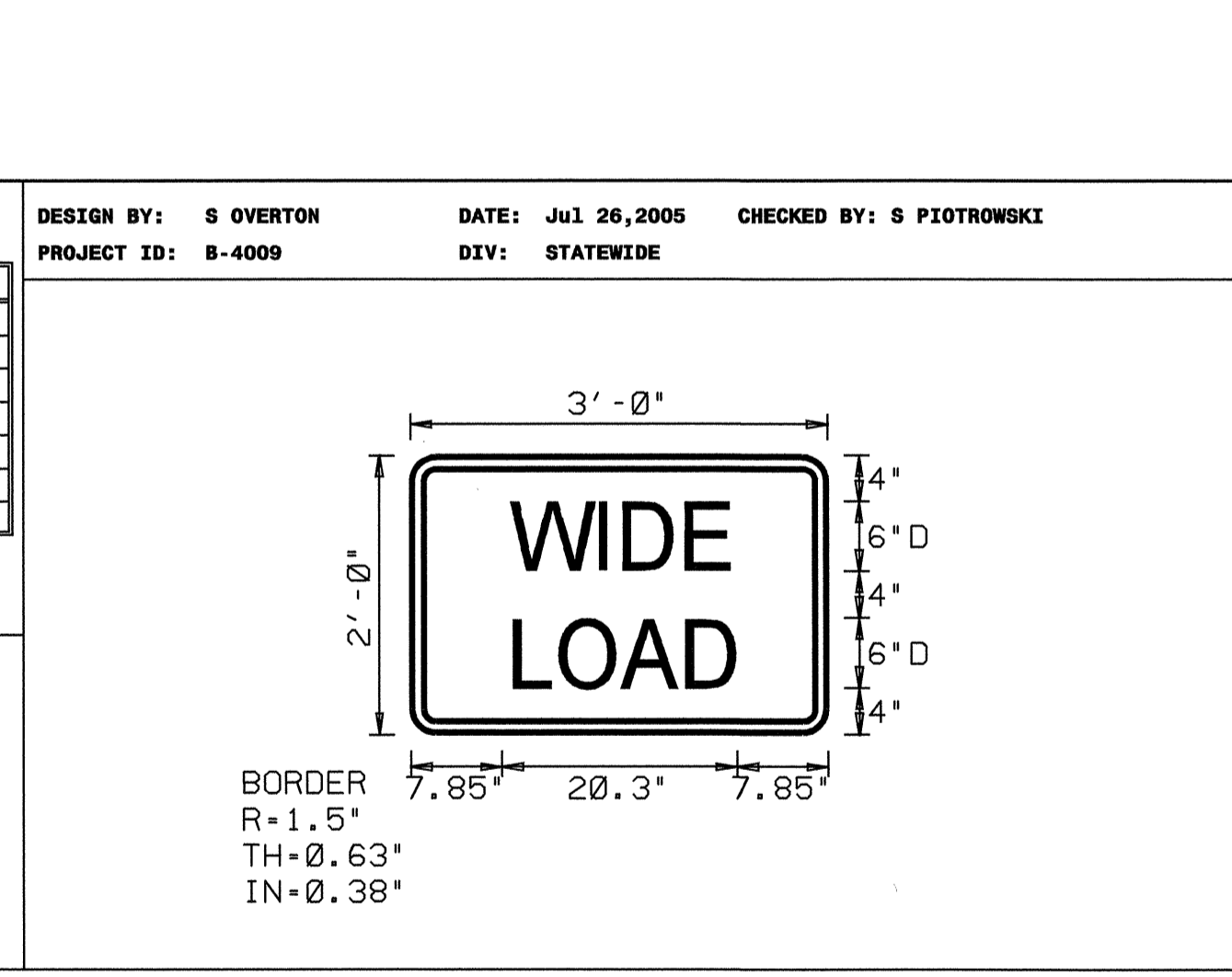
Letter	H	O	R	I	Z	O	N	T	A	L	Series/Size	
H	8.6	5.5	5.7	5.5	2.4	5.2	5.6	5.2	4	6.1	3.7	8.6
O	9.9	5.2	4.8	4.4	6.1	5.2	6.1	5.5	5.2	3.7	9.9	
R	17.7	2.9	4.1	6	4.8	4.8	4.4	3.7	17.7			

Spacing Factor is 1 unless specified otherwise

FILENAME: HORIZONTAL_CLEARANCE

NORTH CAROLINA D.O.T. SIGN DETAIL

SIGN NUMBER: SPO5235
 TYPE: D
 QUANTITY: 47
 SIGN WIDTH: 3'-0"
 HEIGHT: 2'-0"
 TOTAL AREA: 6.0 Sq.Ft.
 BORDER TYPE: RECESSED
 RECESS: 0.38"
 WIDTH: 0.63"
 RADII: 1.5"
 NO. Z BARS: 1
 LENGTH: 16'-0"
 MAT'L: 0.080" (2.0 mm) ALUMINUM



LETTER POSITIONS

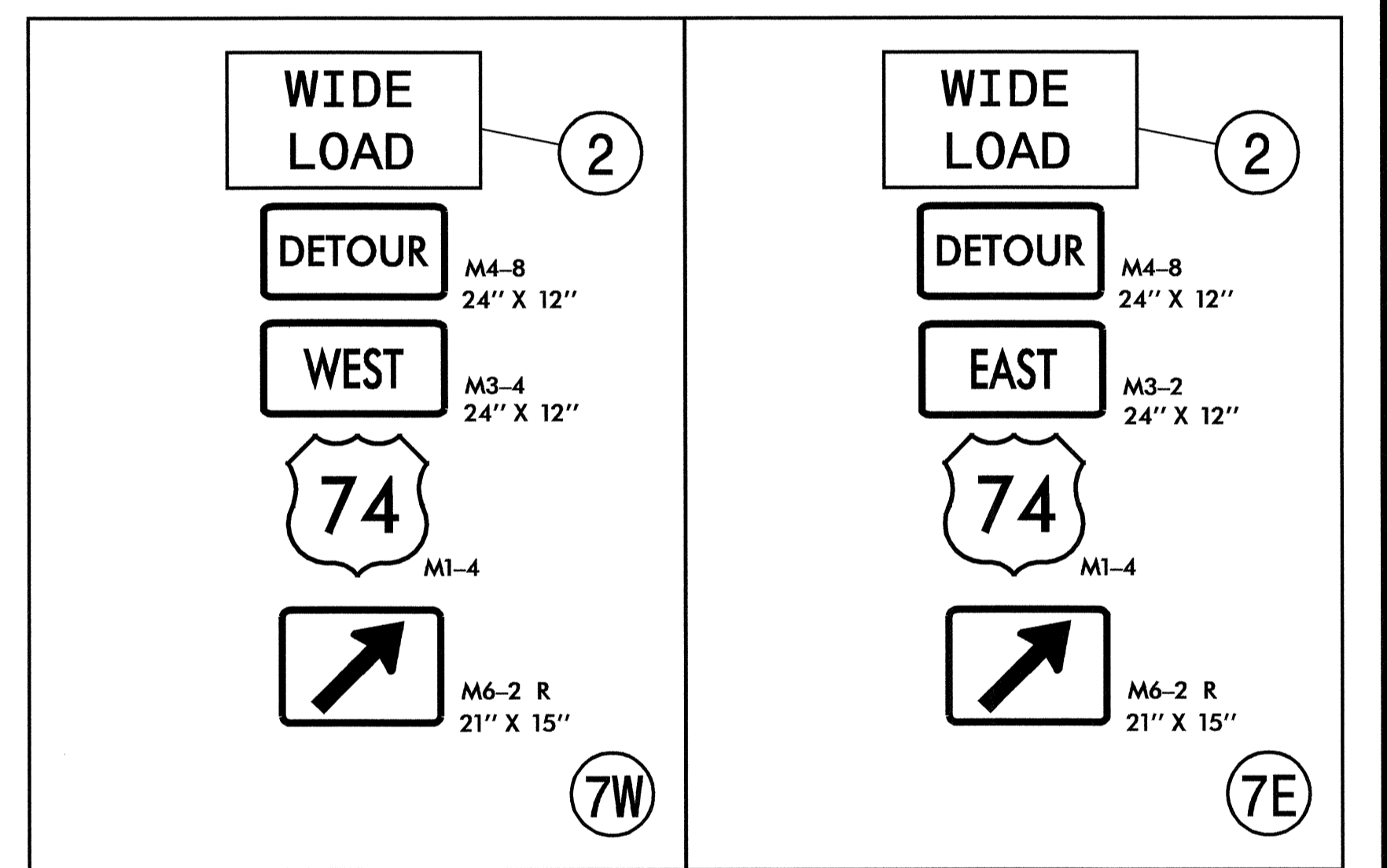
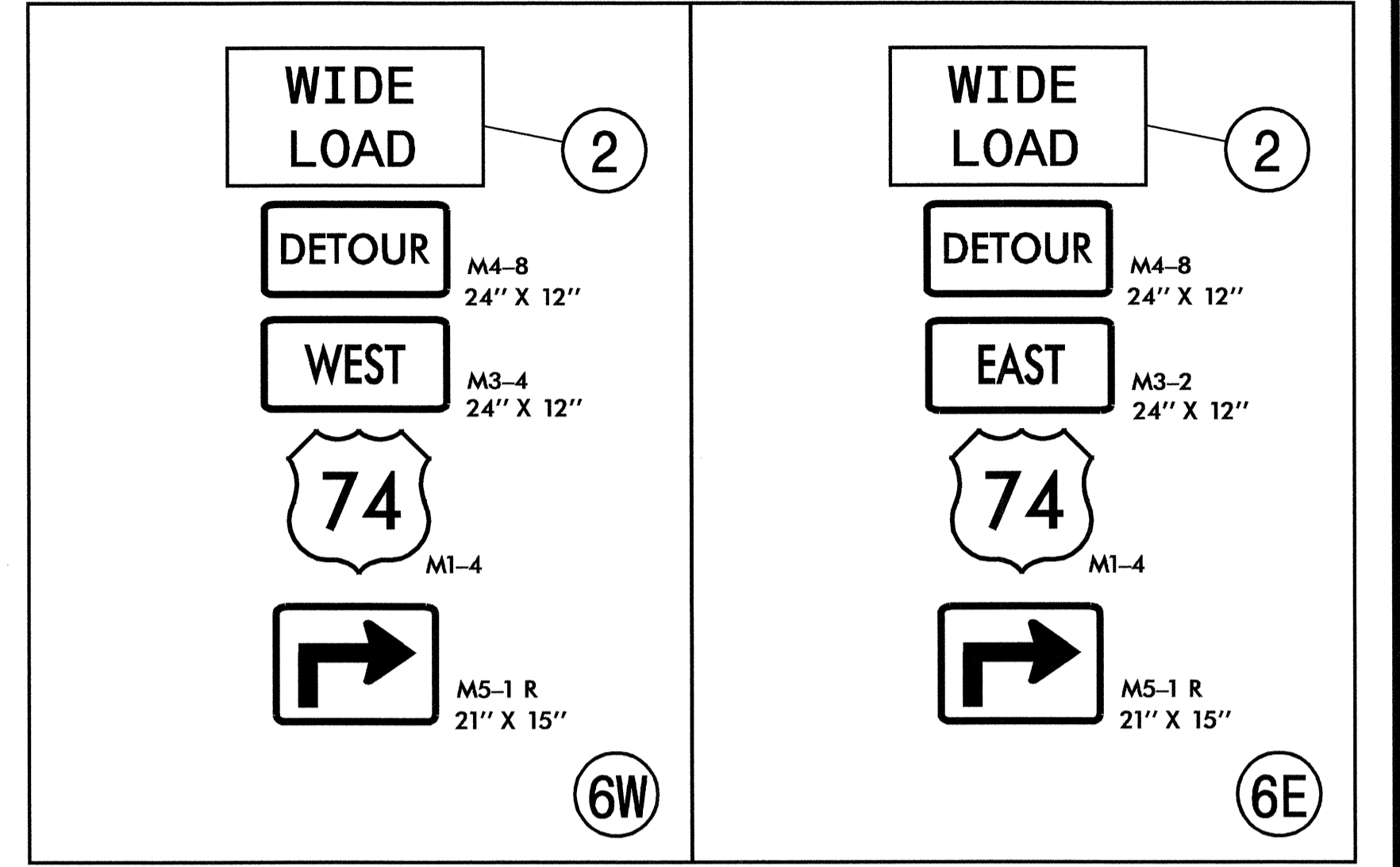
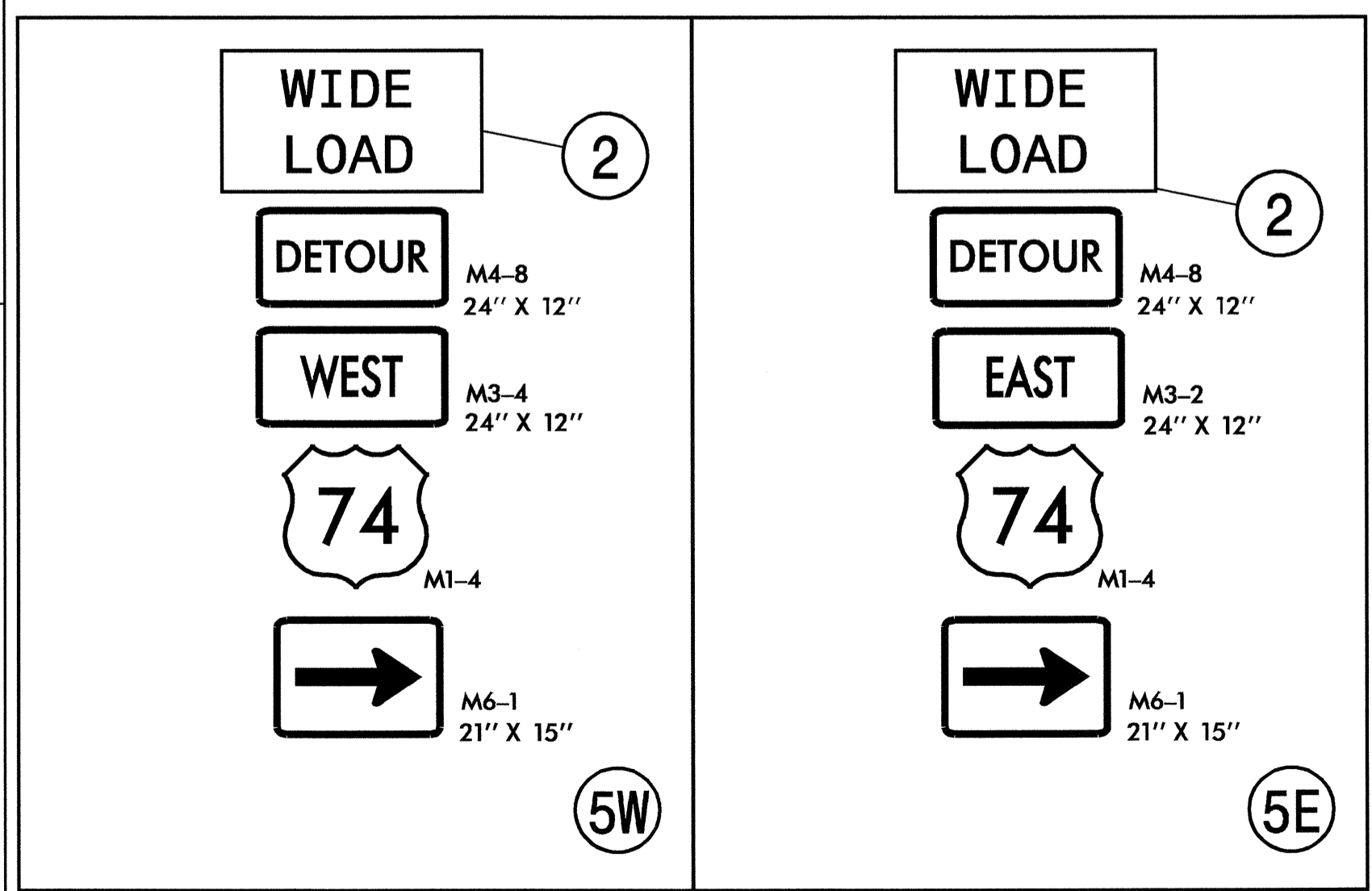
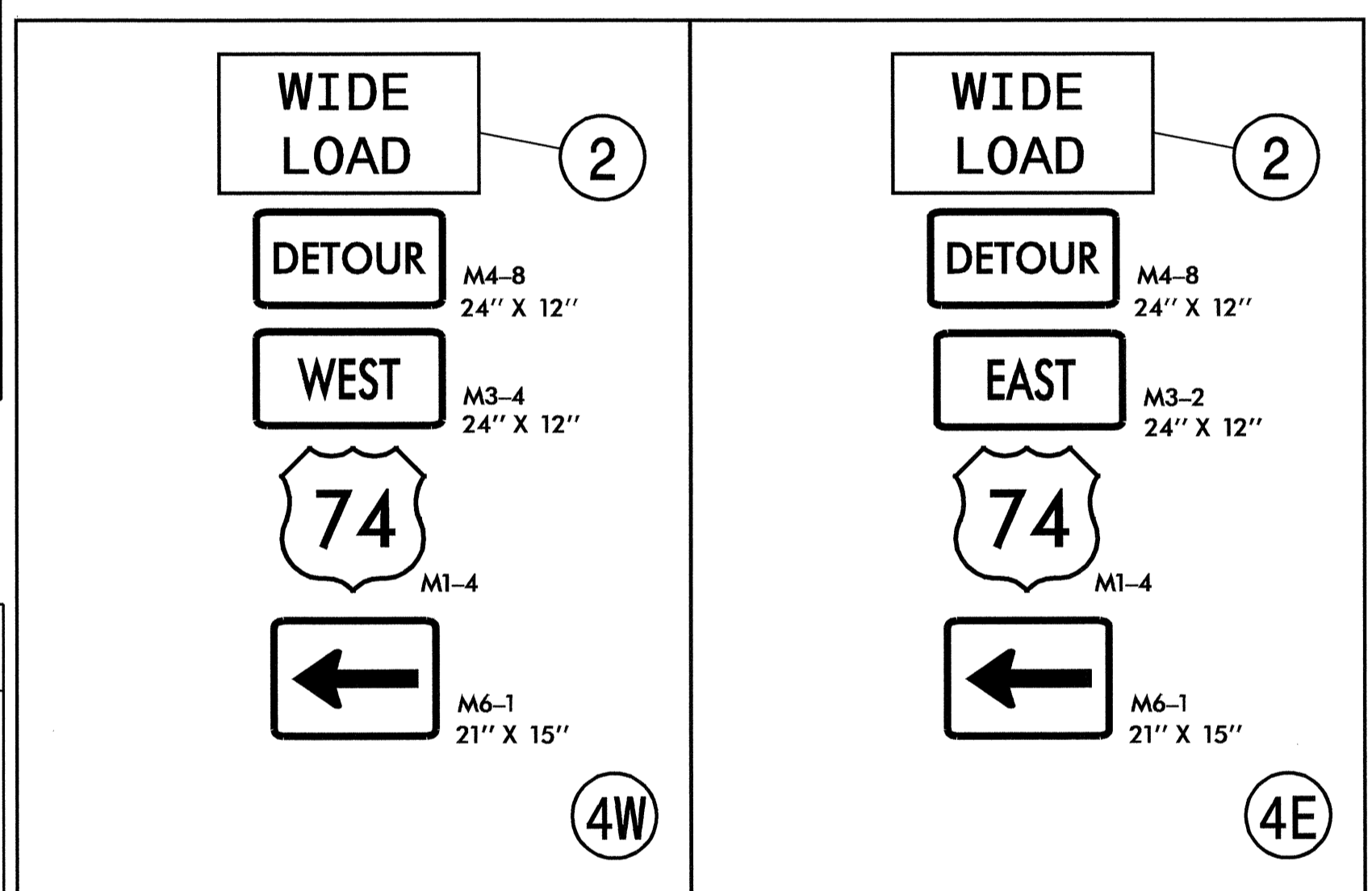
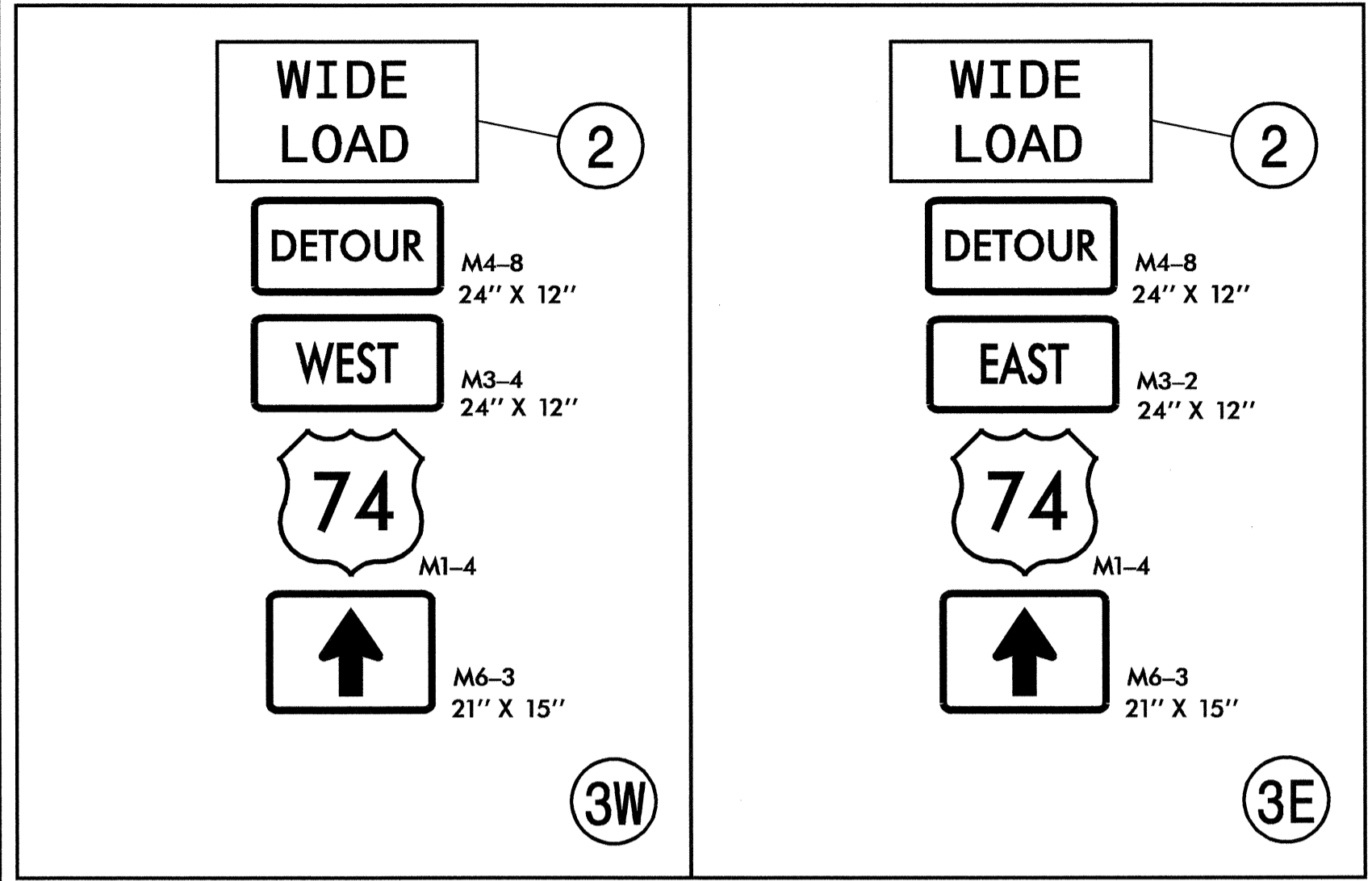
Letter spacings are to start of next letter

Letter	W	I	D	E	Series/Size	
W	9.1	6.4	2.4	5.5	3.7	9.1
I	7.9	4.8	5.4	6.1	4	7.9

Spacing Factor is 1 unless specified otherwise

FILENAME: HORIZONTAL_CLEARANCE

NORTH CAROLINA D.O.T. SIGN DETAIL



LEGEND

(XX) - SIGN NUMBER

NOTES

- SIGNS SHALL BE MOUNTED ON "U" CHANNEL POSTS.
- SIGNS SHALL BE FIELD LOCATED BY THE ENGINEER.
- SIGNS ALONG DIVIDED ROADWAYS SHALL BE DUAL MOUNTED.

APPROVED: [Signature] DATE: 7/26/05

SEAL: [Professional Seal]

WIDE LOAD DETOUR ROUTE & SIGNS

SCALE: NONE	REVISIONS
DATE: 7/05	
DWG. BY: KPB	
DESIGN BY: JWG	
REVIEWED BY: JWG	

29-JUL-2005 07:45:11 \\net5-cct801\B-4009\Traffic\trattficcontrol\top\B-4009 Tcp_Tcp-12.dgn
 mws01094 AT 12:12:24:68