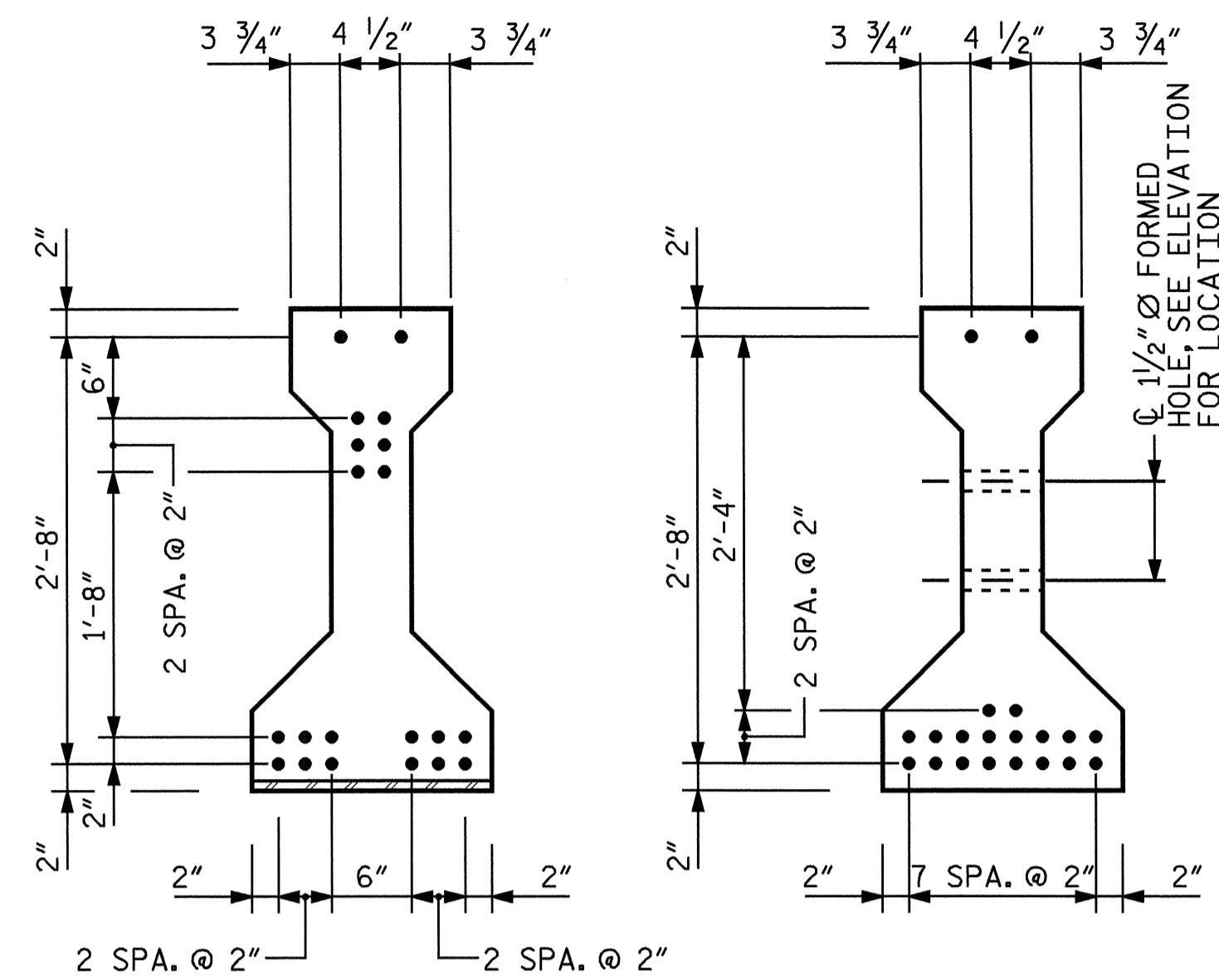
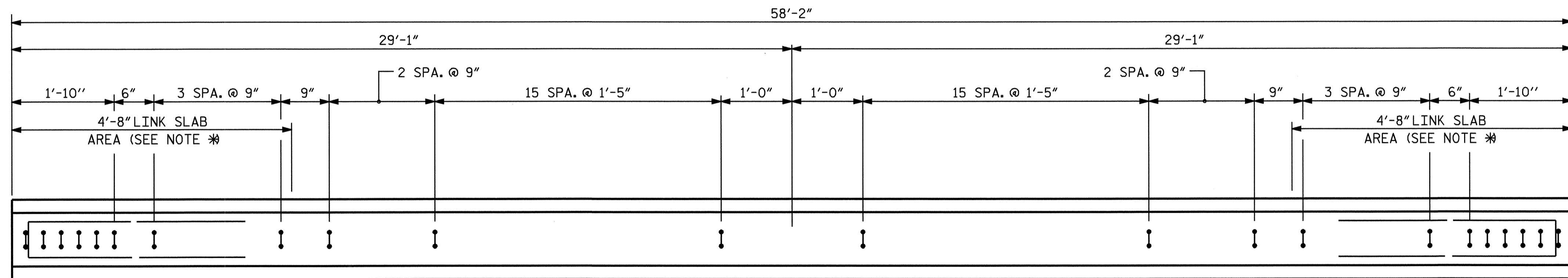


SECTION A-A

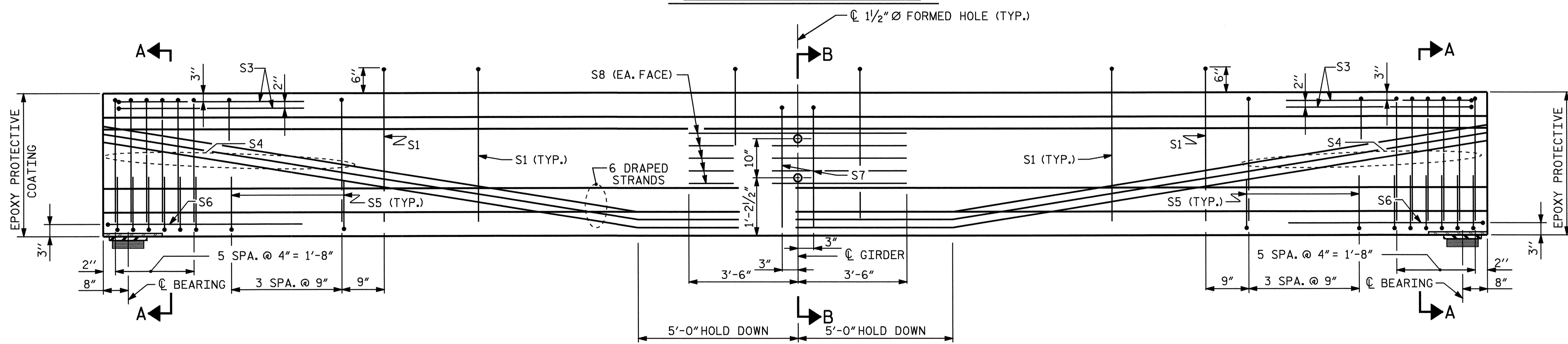
SECTION B-B
(S1 AND S5 BARS NOT SHOWN)



AT END OF GIRDER AT C OF GIRDER
0.6" Ø LOW RELAXATION STRAND LAYOUT



PLAN OF GIRDER



ELEVATION OF GIRDER

0.6" Ø L.R GRADE 270 STRANDS

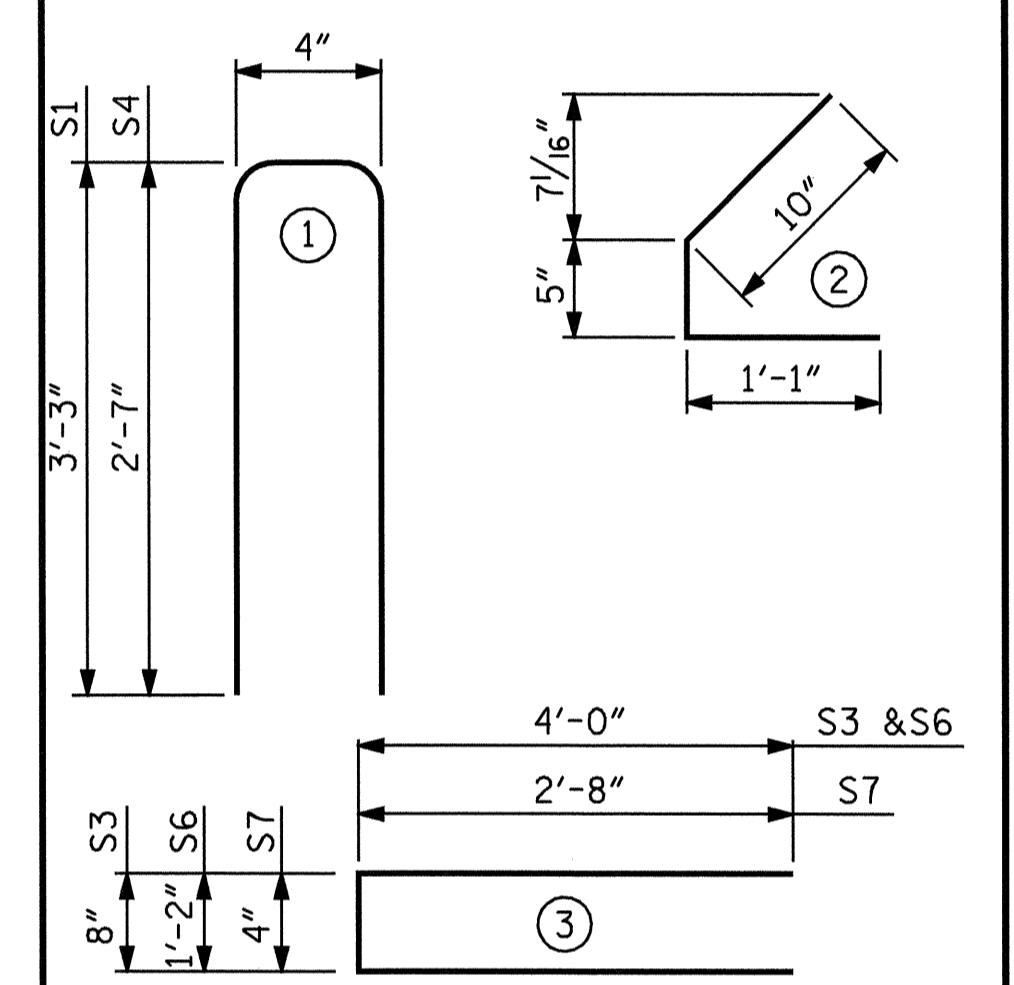
AREA (SQ. INCHES)	ULTIMATE STRENGTH (LBS. PER STRAND)	APPLIED PRESTRESS (LBS. PER STRAND)
0.217	58,600	43,950

REINFORCING STEEL FOR ONE GIRDER

BAR	NUMBER	SIZE	TYPE	LENGTH	WEIGHT
S1	36	#4	1	6'-10"	164
S3	4	#4	3	8'-8"	23
S4	20	#5	1	5'-6"	115
S5	40	#4	2	2'-4"	62
S6	2	#4	3	9'-2"	12
S7	2	#5	3	5'-8"	12
S8	5	#4	STR.	7'-0"	23

BAR TYPES

ALL BAR DIMENSIONS ARE OUT-TO-OUT



QUANTITIES FOR ONE GIRDER

SPANS C & M	REINFORCING STEEL	8000.0 PSI CONCRETE	0.6" Ø L.R STRAND
	LB.	C.Y.	No.
	411	5.5	20

GIRDERS REQUIRED

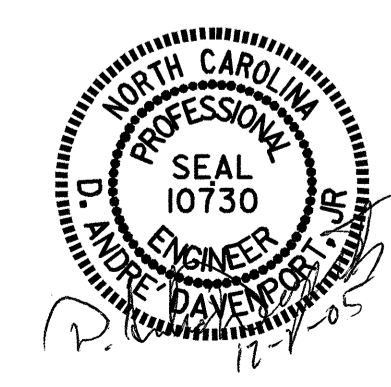
NUMBER	LENGTH	TOTAL LENGTH
10	58'-2"	581.67

PROJECT NO. B-4009
ANSON COUNTY
STATION: 38+66.50-L-

SHEET 3 OF 5

STATE OF NORTH CAROLINA
DEPARTMENT OF TRANSPORTATION
RALEIGH

AASHTO TYPE II
PRESTRESSED CONCRETE GIRDER
SPANS C & M



ASSEMBLED BY : H. T. BARBOUR	DATE : 1-5-05	CADD STANDARD
CHECKED BY : A. COLE	DATE : 2-05	
DRAWN BY : RB 2/97	REV. 8/16/99 RWW/LES	
CHECKED BY : EEM 2/97		

REVISIONS						SHEET NO.
NO.	BY:	DATE:	NO.	BY:	DATE:	S-21
1			3			TOTAL SHEETS
2			4			64