

NOTES

FOR ELASTOMERIC BEARINGS, SEE SPECIAL PROVISIONS.

AT ALL FIXED POINTS OF SUPPORT, NUTS FOR ANCHOR BOLTS ARE TO BE TIGHTENED FINGER TIGHT AND THEN BACKED OFF 1/2 TURN. THE THREAD OF THE NUT AND BOLT SHALL THEN BE BURRED WITH A SHARP POINTED TOOL.

THE 2" Ø PIPE SLEEVE SHALL BE CUT FROM SCHEDULE 40 PVC PLASTIC PIPE. THE PVC PLASTIC PIPE SHALL MEET THE REQUIREMENTS OF ASTM D1785.

STEEL SOLE PLATES, ANCHOR BOLTS, NUTS, AND WASHERS SHALL BE GALVANIZED IN ACCORDANCE WITH THE STANDARD SPECIFICATIONS.

PRIOR TO WELDING, GRIND THE GALVANIZED SURFACE OF THE PORTION OF THE EMBEDDED PLATE AND SOLE PLATE THAT ARE TO BE WELDED. AFTER WELDING, DAMAGED GALVANIZED SURFACES SHALL BE REPAIRED IN ACCORDANCE WITH THE STANDARD SPECIFICATIONS.

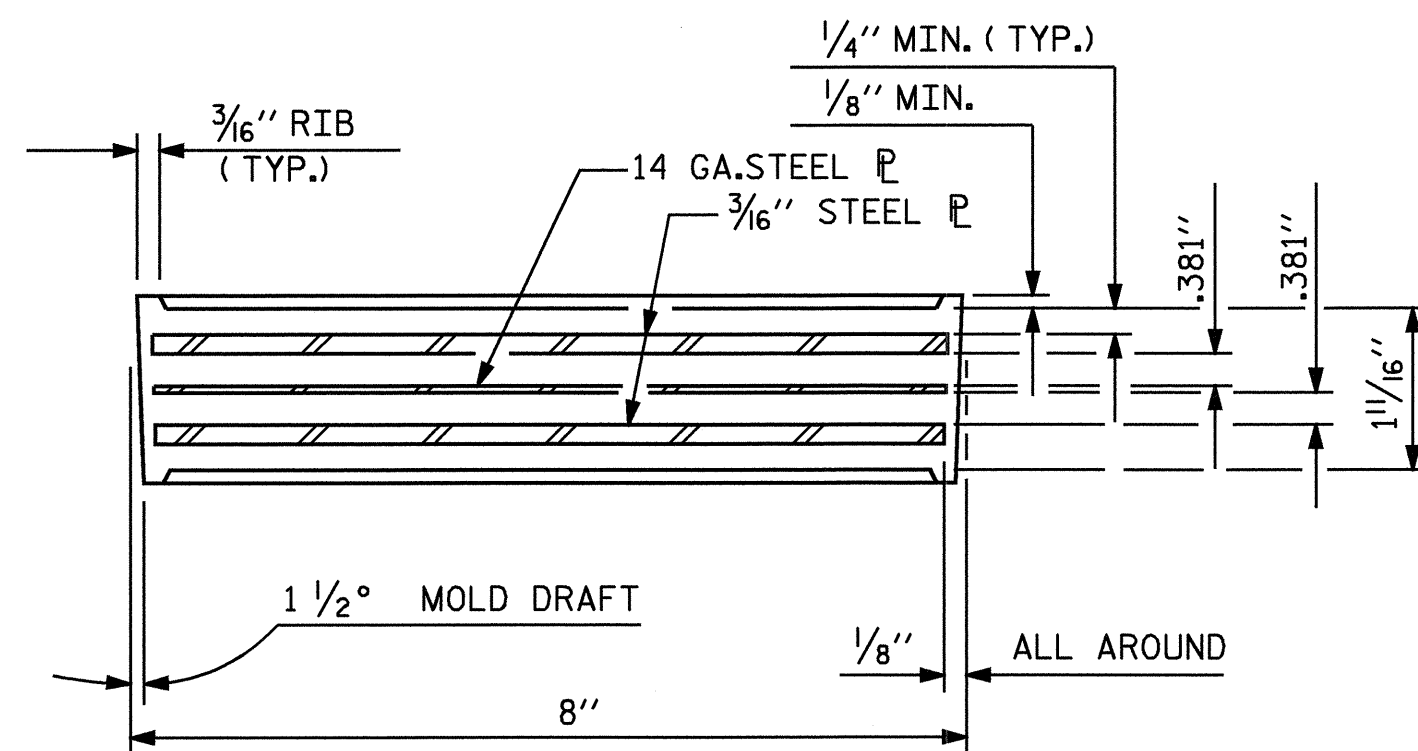
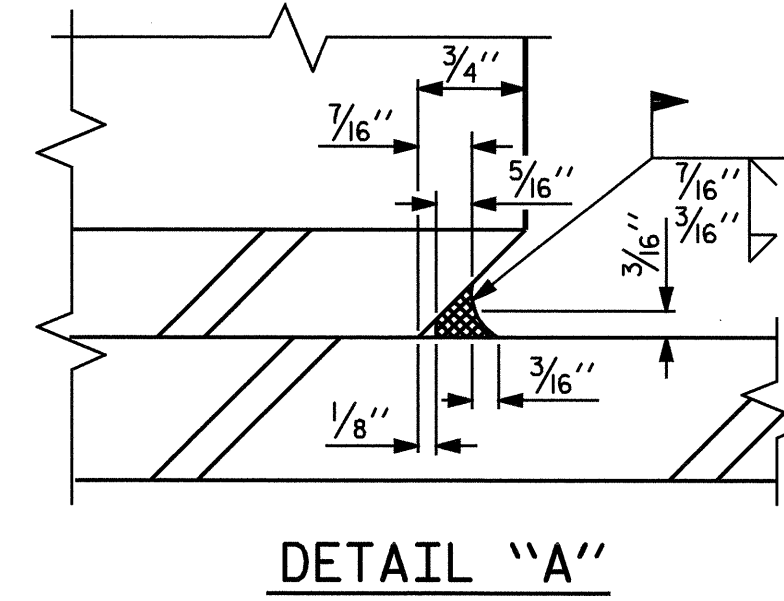
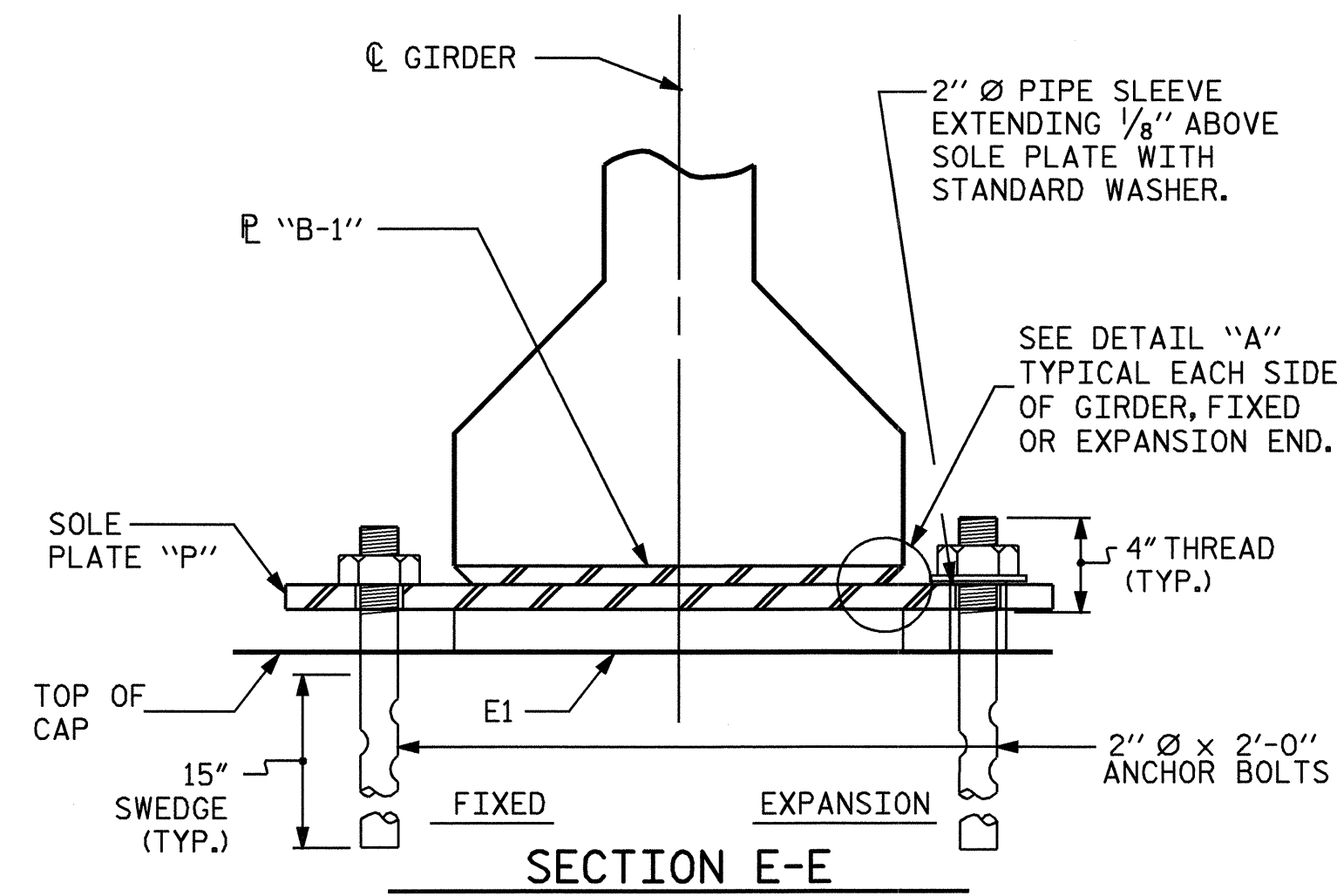
WHEN WELDING THE SOLE PLATE TO THE EMBEDDED PLATE IN THE GIRDER, USE TEMPERATURE INDICATING WAX PENS, OR OTHER SUITABLE MEANS, TO ENSURE THAT THE TEMPERATURE OF THE SOLE PLATE DOES NOT EXCEED 300°F. TEMPERATURES ABOVE THIS MAY DAMAGE THE ELASTOMER.

SOLE PLATE "P", BOLTS, NUTS, WASHERS, AND PIPE SLEEVE SHALL BE INCLUDED IN THE PAY ITEM FOR PRESTRESSED CONCRETE GIRDERS.

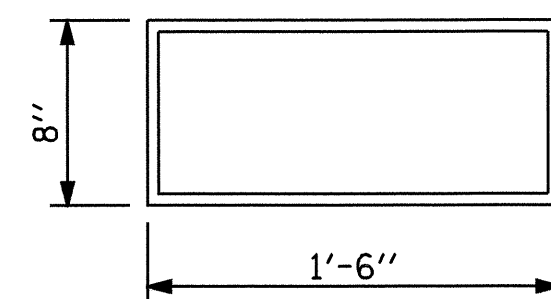
ANCHOR BOLTS SHALL MEET THE REQUIREMENTS OF ASTM A449. NUTS SHALL MEET THE REQUIREMENTS OF AASHTO M291-DH OR AASHTO M292-2H. WASHERS SHALL MEET THE REQUIREMENTS OF AASHTO M293. SHOP DRAWINGS ARE NOT REQUIRED FOR ANCHOR BOLT, NUTS AND WASHERS. SHOP INSPECTION IS REQUIRED.

ALL SURFACES OF BEARING PLATES SHALL BE SMOOTH AND STRAIGHT.

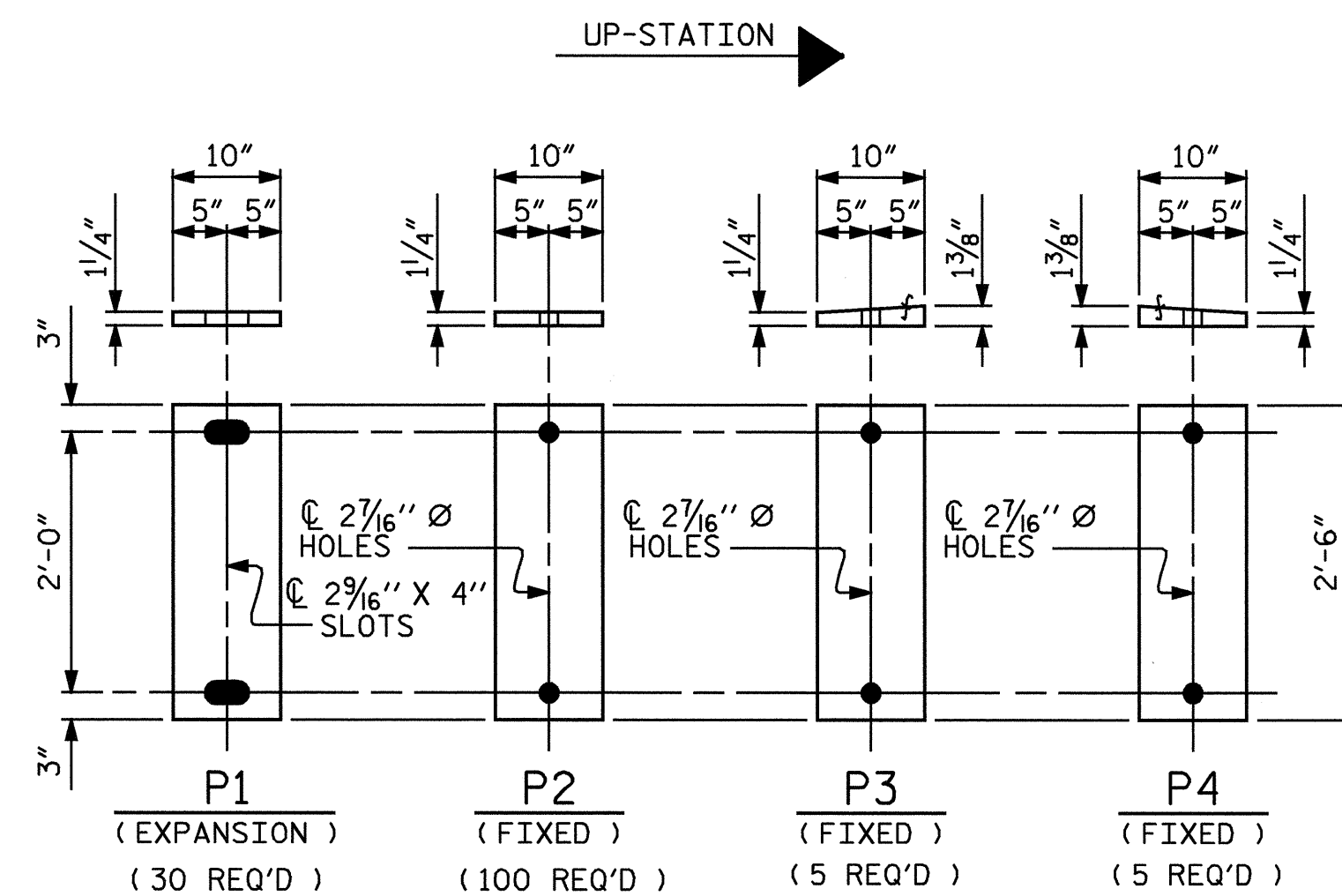
- LOAD RATINGS -	
	MAX.D.L.+L.L.
36"PCG -TYPE III	115 K



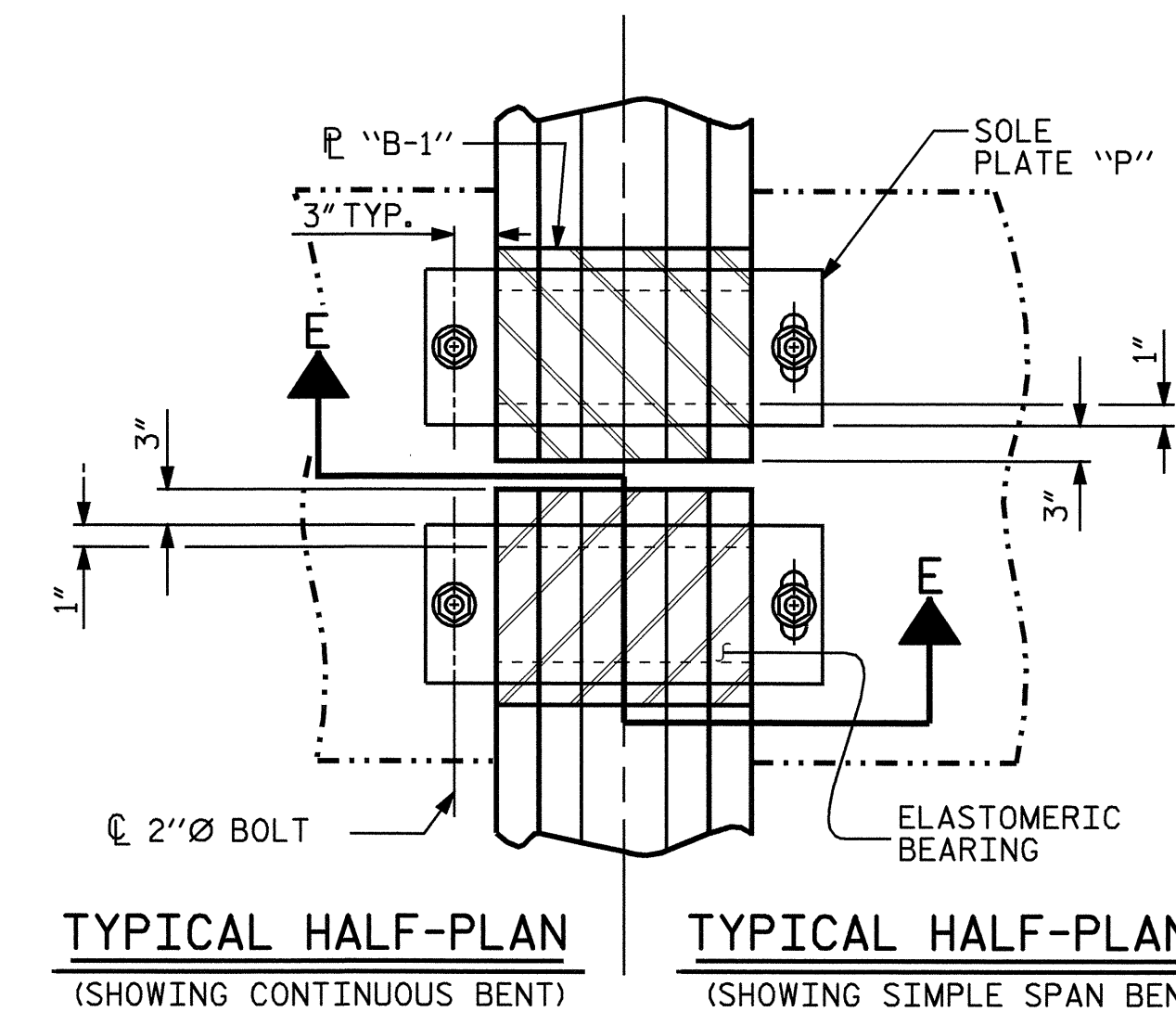
TYPICAL SECTION OF ELASTOMERIC BEARINGS



E1 (140 REQ'D)
PLAN VIEW OF ELASTOMERIC BEARING
TYPE III

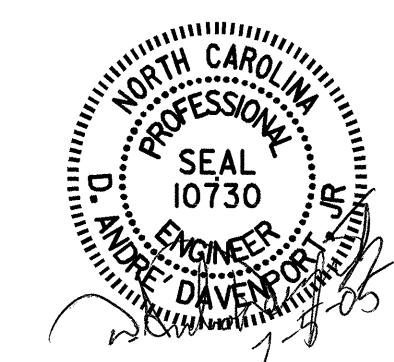


SOLE PLATE DETAILS ("P")



TYPICAL HALF-PLAN (SHOWING CONTINUOUS BENT)
TYPICAL HALF-PLAN (SHOWING SIMPLE SPAN BENT)

PROJECT NO. B-4009
ANSON COUNTY
STATION: 38+66.50-L-



STATE OF NORTH CAROLINA DEPARTMENT OF TRANSPORTATION RALEIGH					
ELASTOMERIC BEARING DETAILS					
PRESTRESSED CONCRETE GIRDER SUPERSTRUCTURE					
REVISIONS					SHEET NO.
NO.	BY:	DATE:	NO.	BY:	DATE:
1			3		
2			4		
					TOTAL SHEETS 64

ASSEMBLED BY :	H. T. BARBOUR	DATE :	1-06-05
CHECKED BY :	A. COLE	DATE :	2-05
DRAWN BY :	WJH 8/89	REV. 8/16/99	RWW/LES
CHECKED BY :	CRK 8/89	REV. 10/17/00	RWW/LES
		REV. 7/10/01	RWW/LES