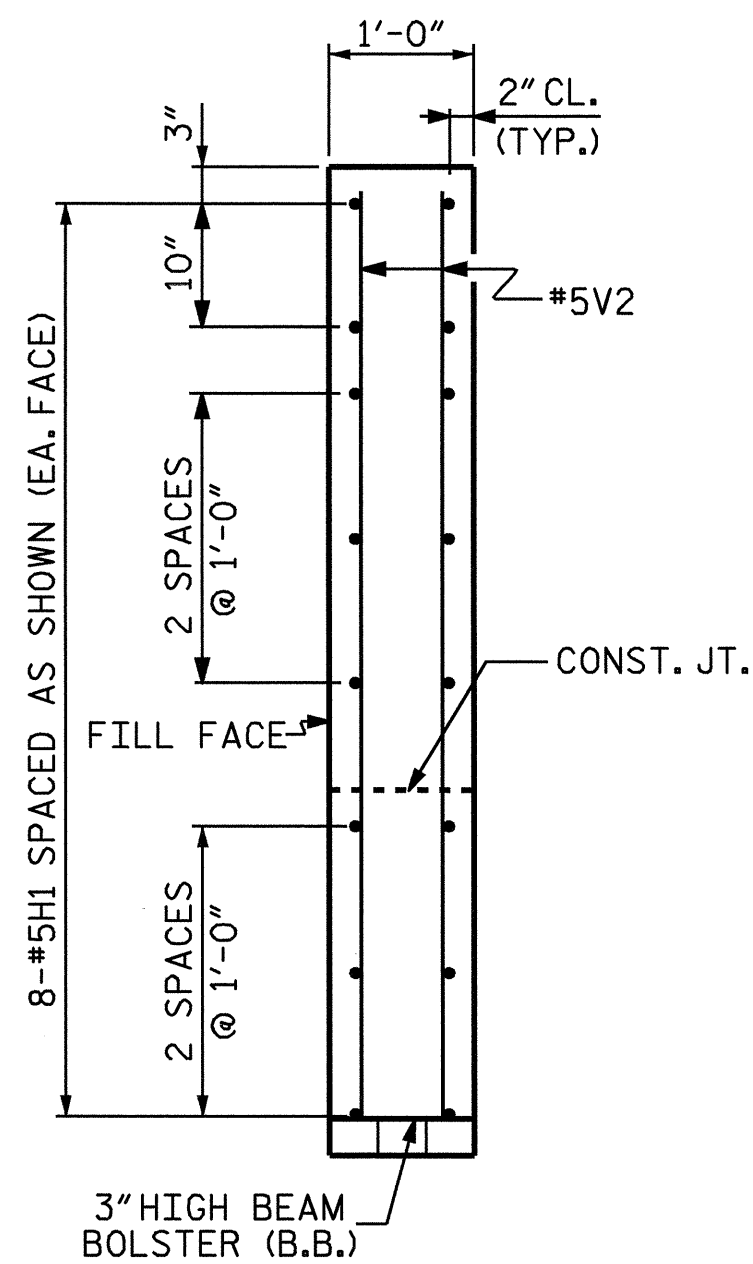
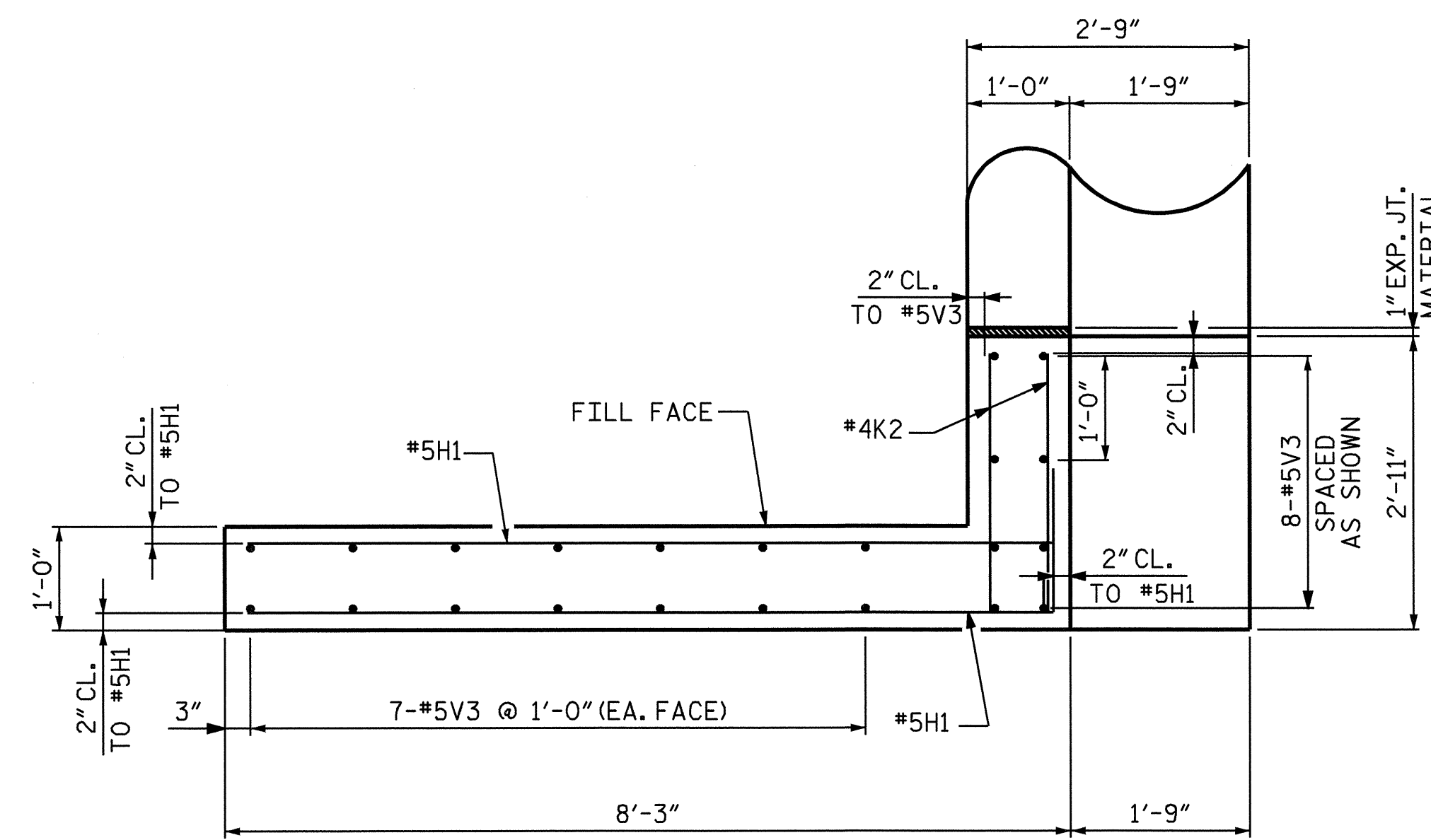


PLAN OF LEFT WING

W1

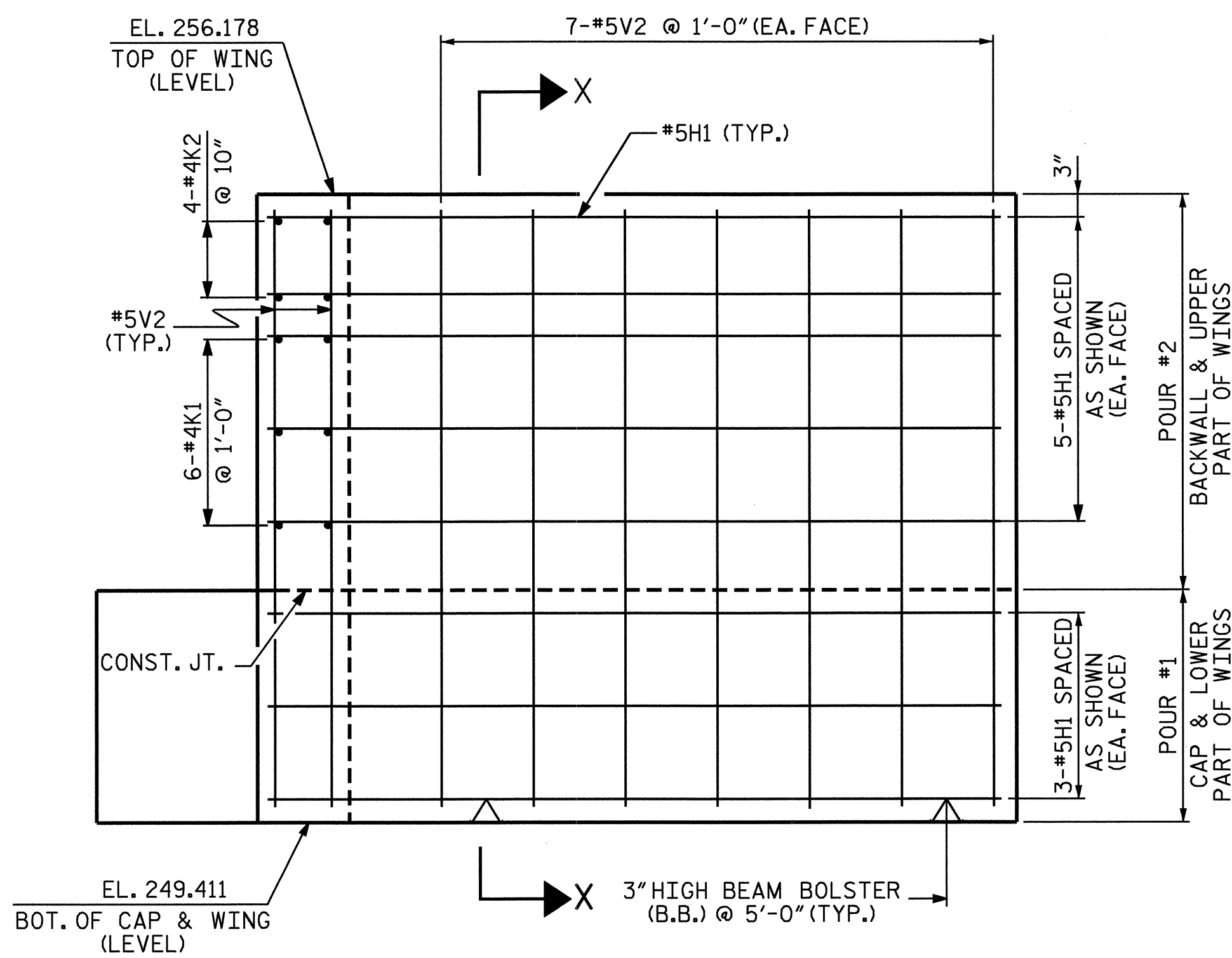


SECTION X-X



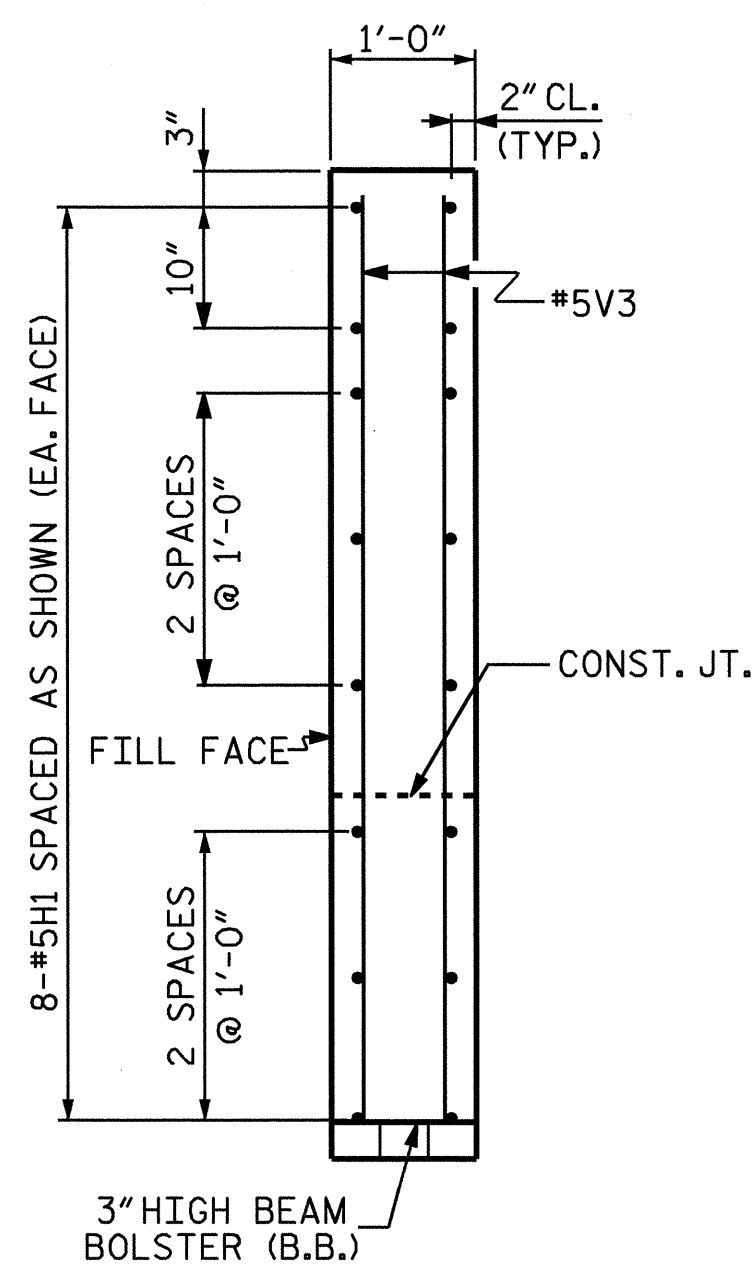
PLAN OF RIGHT WING

W2

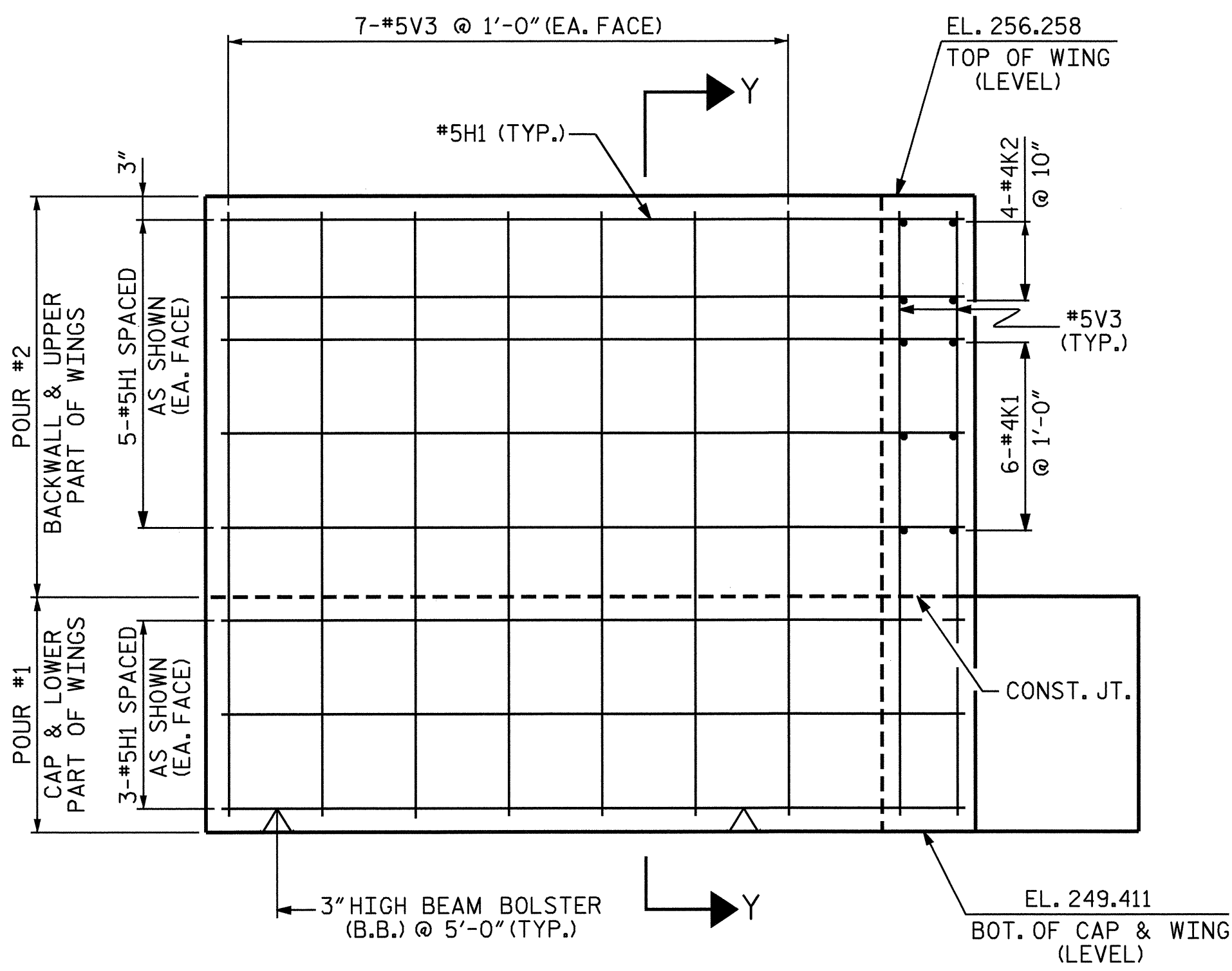


ELEVATION OF LEFT WING

W1



SECTION Y-Y



ELEVATION OF RIGHT WING

W2

PROJECT NO. B-4009
 ANSON COUNTY
 STATION: 38+66.50 -L-

SHEET 2 OF 3

STATE OF NORTH CAROLINA
 DEPARTMENT OF TRANSPORTATION
 RALEIGH

SUBSTRUCTURE
 END BENT #1



DRAWN BY : A. SORSENGINH/B. GREEN DATE : 3-7-05
 CHECKED BY : A. COLE DATE : 3-16-05

12-AUG-2005 08:27
 R:\STRUCTURE\Training\MICROS\B4009_2.DGN
 adavenport

REVISIONS						SHEET NO. S-30
NO.	BY:	DATE:	NO.	BY:	DATE:	
1			3			TOTAL SHEETS 64
2			4			

NC006