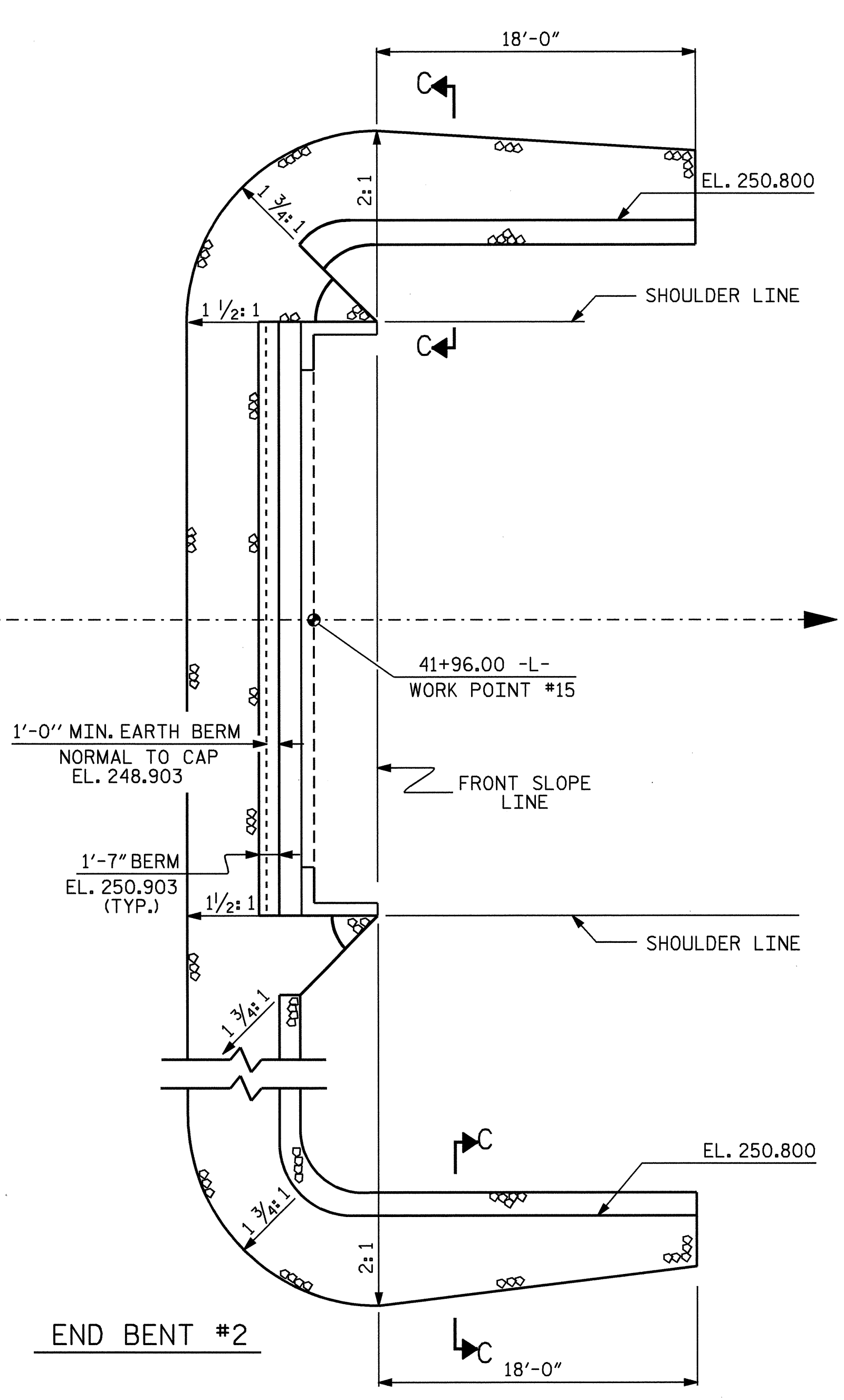


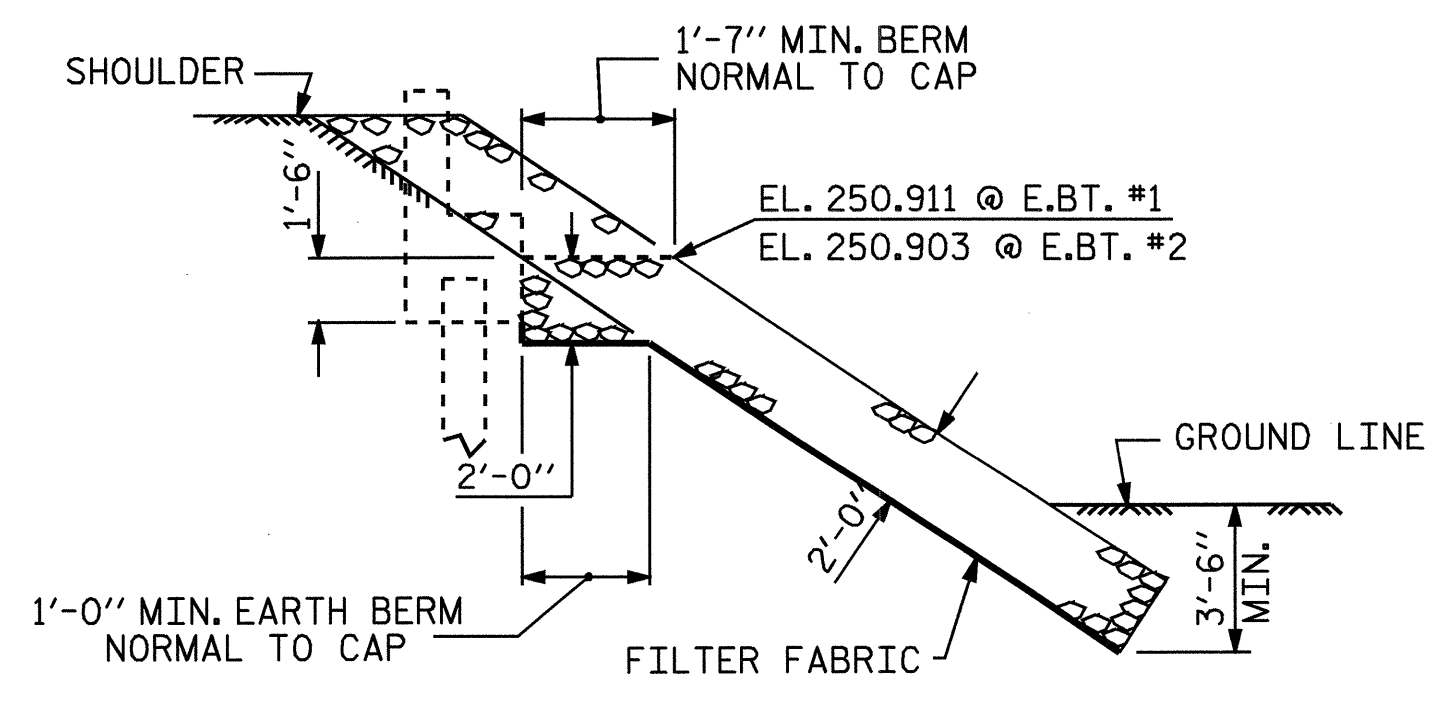
END BENT #1



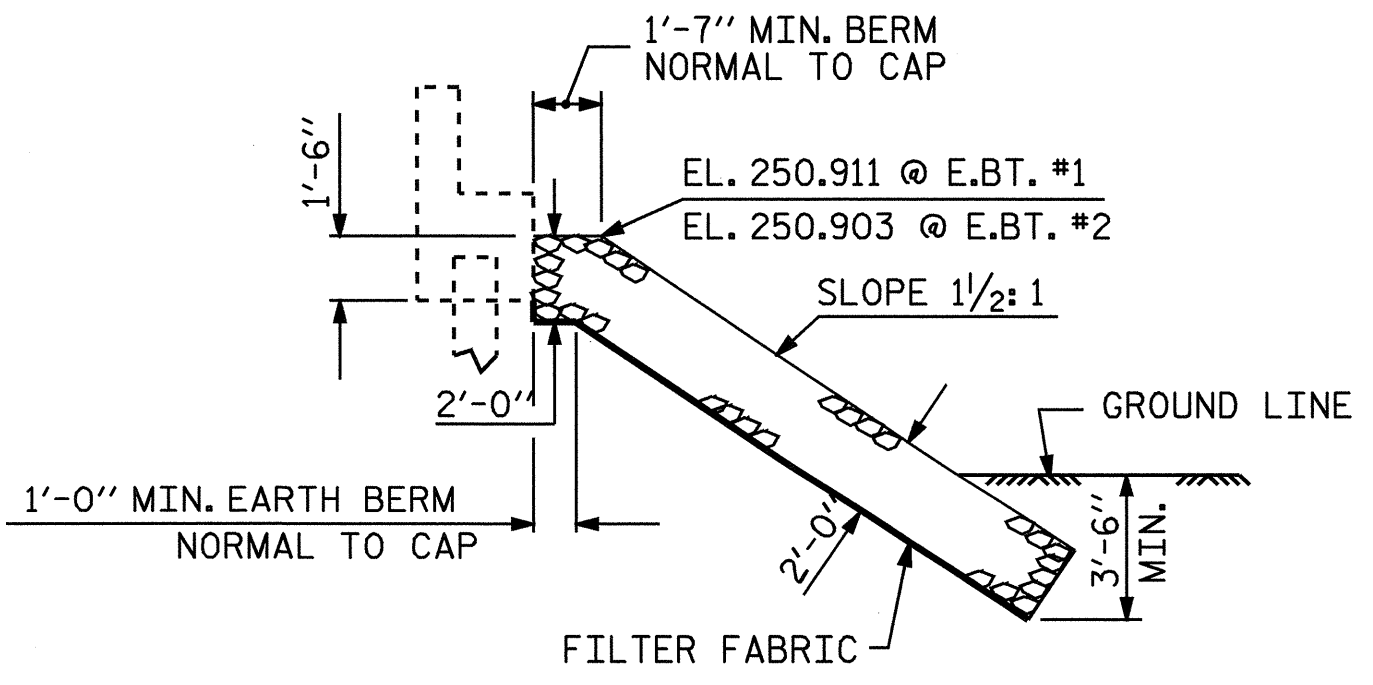
END BENT #2

PLAN

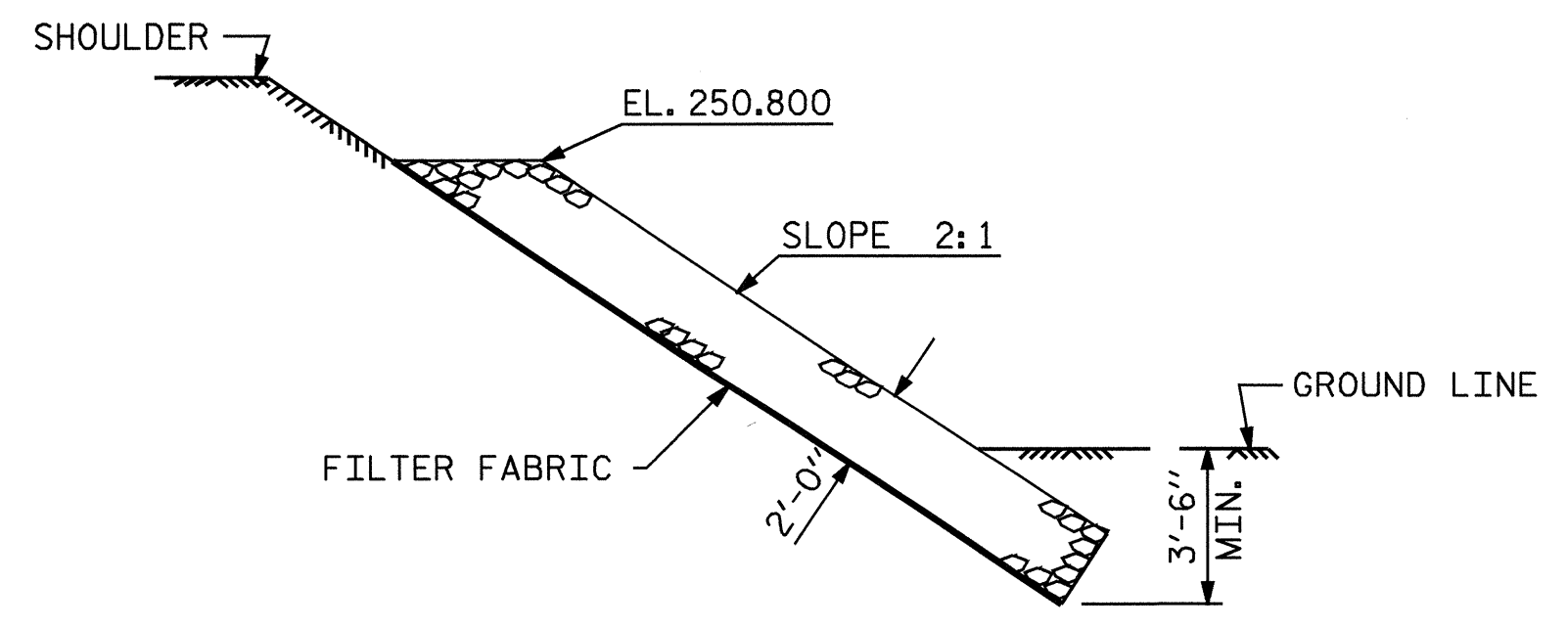
ESTIMATED QUANTITIES		
BRIDGE @ STA. 38+66.50 -L-	PLAIN RIP RAP CLASS II	FILTER FABRIC FOR DRAINAGE
	TONS	SQUARE YARDS
END BENT 1	291	325
END BENT 2	319	355
TOTAL	610	680



SECTION H-H



SECTION C-C



SECTION C-C

BERM RIP RAPPED

PROJECT NO. B-4009
ANSON COUNTY
 STATION: 38+66.50 -L-

STATE OF NORTH CAROLINA
 DEPARTMENT OF TRANSPORTATION
 RALEIGH

— RIP RAP DETAILS —



ASSEMBLED BY : A. SORSENGINH DATE : 12-21-04
 CHECKED BY : H.T. BARBOUR DATE : 1-21-05
 DRAWN BY : FCJ 2/88 REV. 7/17/98 REK/RWW
 CHECKED BY : ARB 8/88 REV. 8/16/99 RWW/LES
 REV. 10/17/00 RWW/LES

REVISIONS						SHEET NO.
NO.	BY:	DATE:	NO.	BY:	DATE:	TOTAL SHEETS
1			3			64
2			4			64