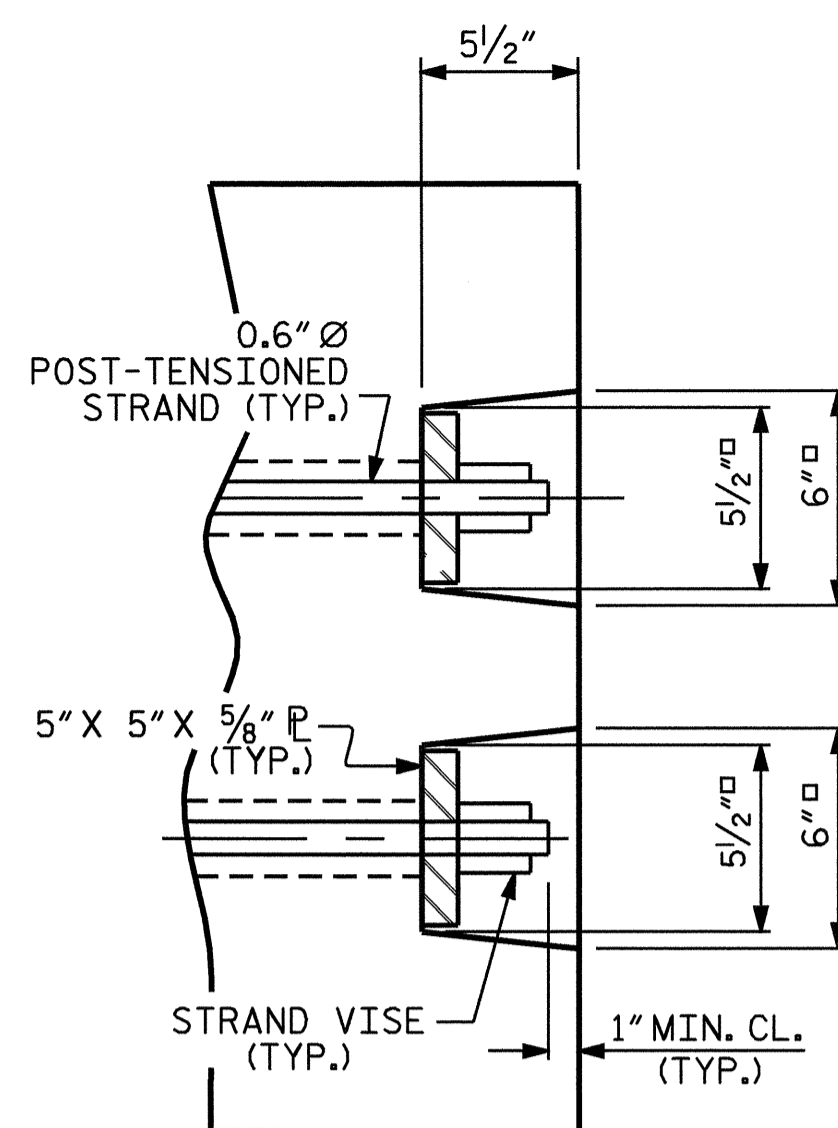


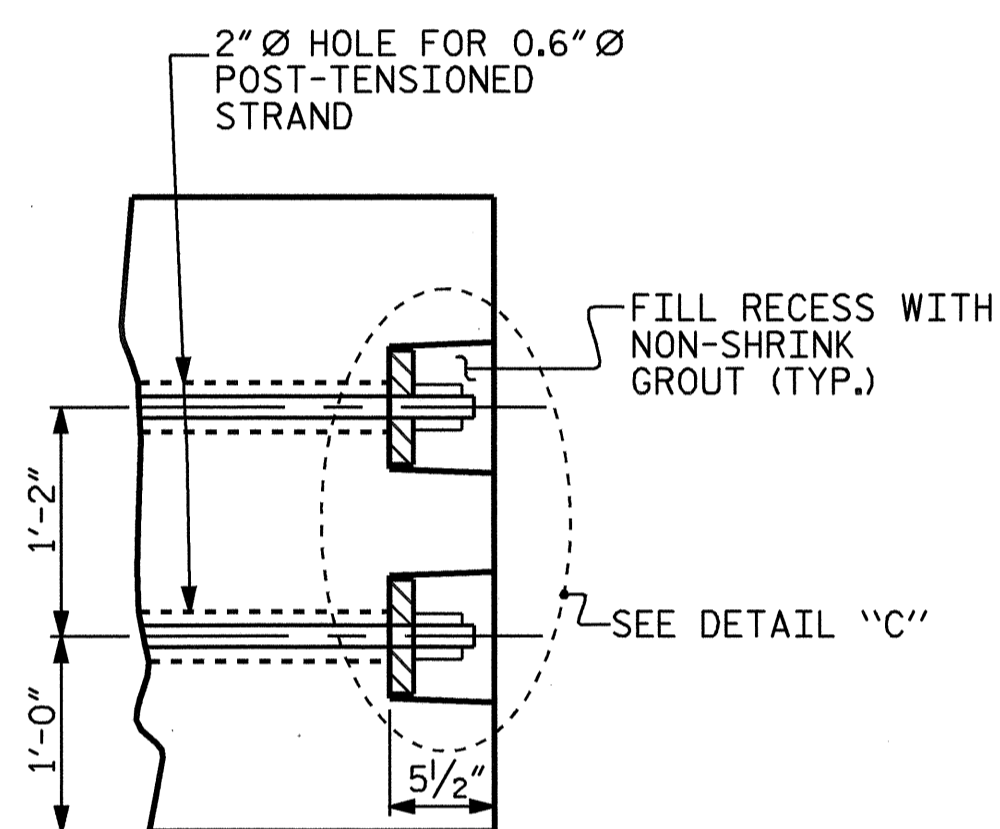
VIEW D-D
SHOWING ELEVATION VIEW OF GROUTED RECESS



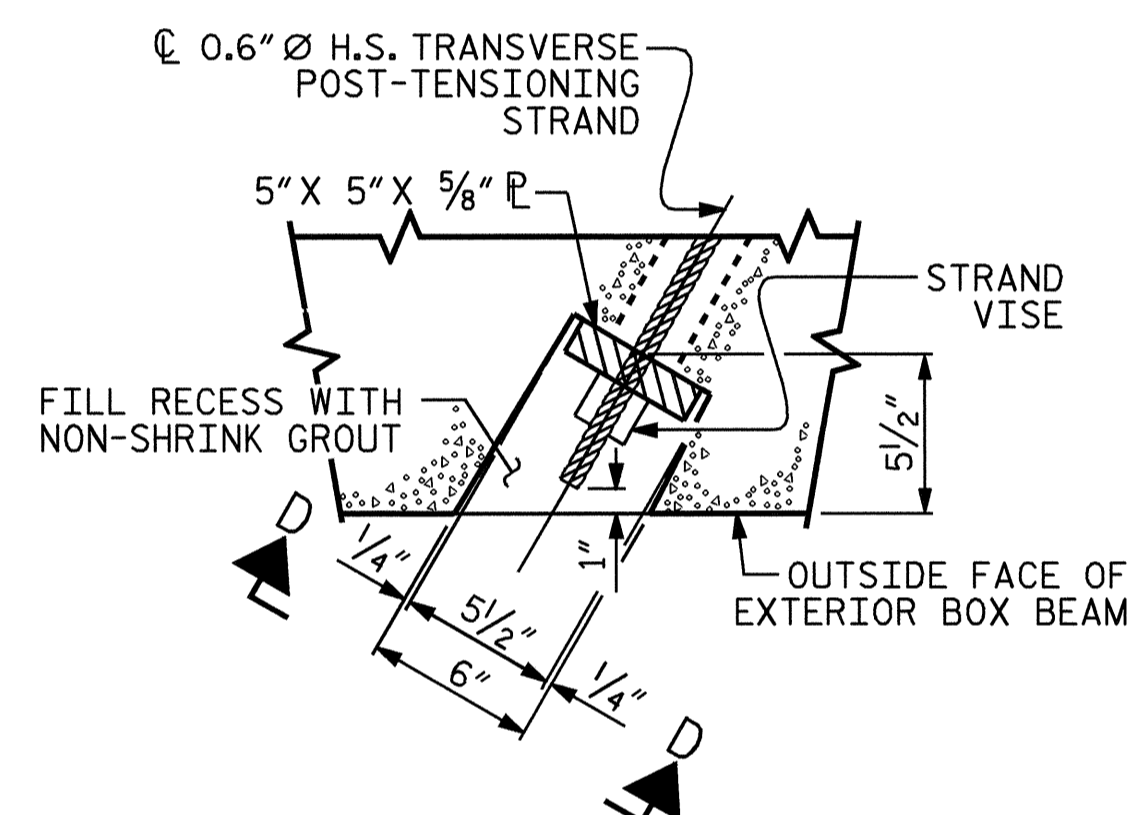
DETAIL "C"

BILL OF MATERIAL FOR ONE DIAPHRAGM					
BAR	NUMBER	SIZE	TYPE	LENGTH	WEIGHT
D1	3	#4	8	8'-7"	17
D2	6	#4	9	4'-0"	16
D3	2	#4	STR	2'-8"	4
REINFORCING STEEL					37 LBS.

DIAPHRAGMS REQUIRED PER BOX BEAM SECTION			
	NUMBER	REINFORCING STEEL PER DIAPH. (LBS.)	TOTAL REINFORCING STEEL FOR DIAPHRAGMS (LBS.)
SPAN A	5	37	185
TOTAL			185

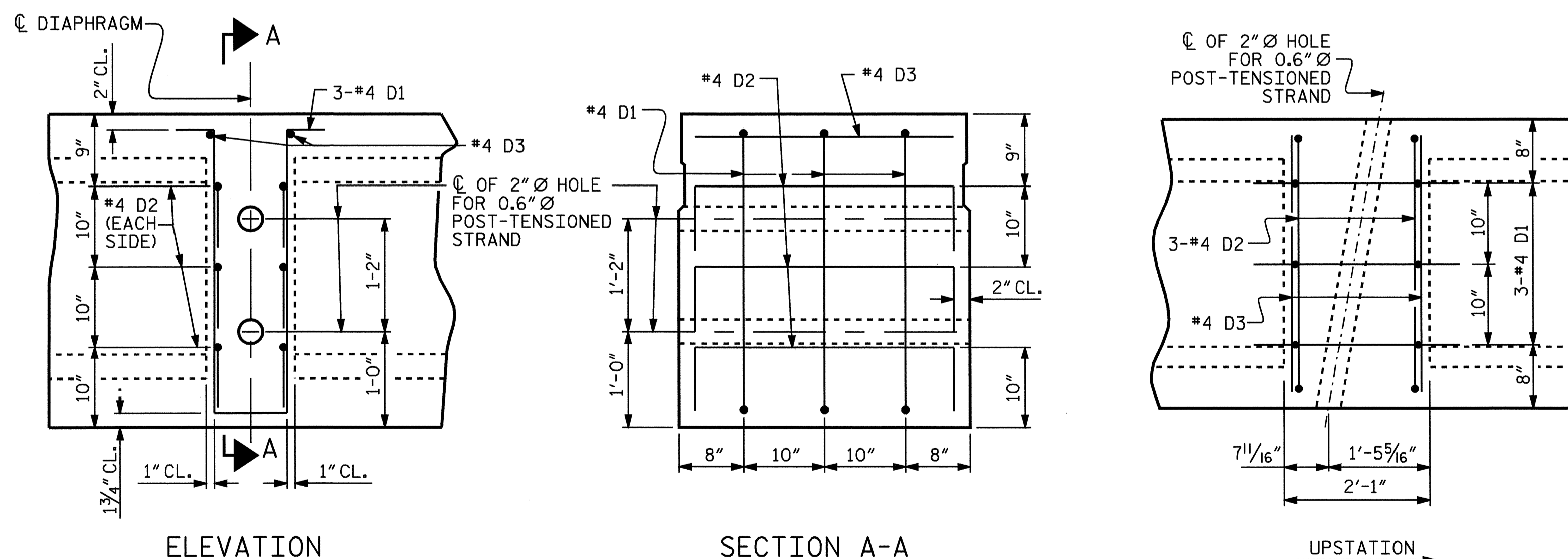


PART SECTION AT RECESS

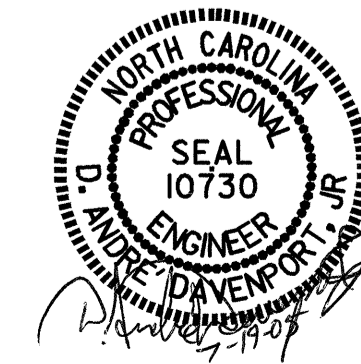


SECTION B-B

DOUBLE GROUTED RECESS AT END OF POST-TENSIONED STEEL BAR OF EXTERIOR 39" BOX BEAM



DOUBLE DIAPHRAGM FOR 39" BOX BEAM
#4 "S" BARS NOT SHOWN. #4 "S" BARS MAY BE SHIFTED SLIGHTLY TO CLEAR 2" Ø HOLE.



PROJECT NO. B-4266
RUTHERFORD COUNTY
STATION: 13+29.00-L-

SHEET 3 OF 5
STATE OF NORTH CAROLINA
DEPARTMENT OF TRANSPORTATION
RALEIGH
3'-0" X 3'-3"
PRESTRESSED CONCRETE
BOX BEAM UNIT

REVISIONS						TOTAL SHEETS
NO.	BY:	DATE:	NO.	BY:	DATE:	18
1			3			
2			4			

ASSEMBLED BY: H. TOM BARBOUR DATE: 4-5-05
CHECKED BY: D.A. DAVENPORT DATE: 4-05
DRAWN BY: TLA 3/05
CHECKED BY:

19-JUL-2005 13:38
R:\STRUCTURE\barbour\MICROS\B-4266.ed_boxbeam01.dgn
ddavenport