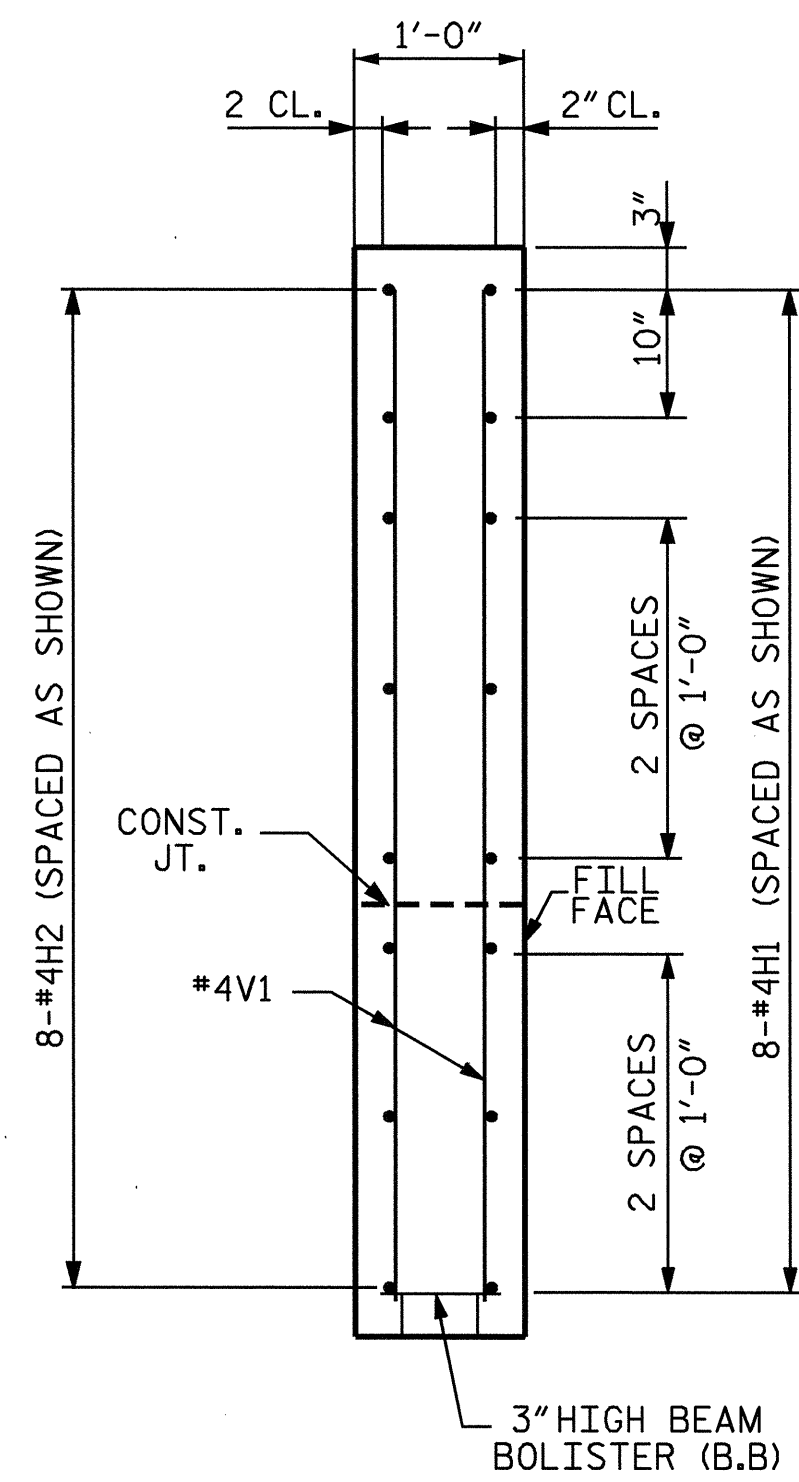
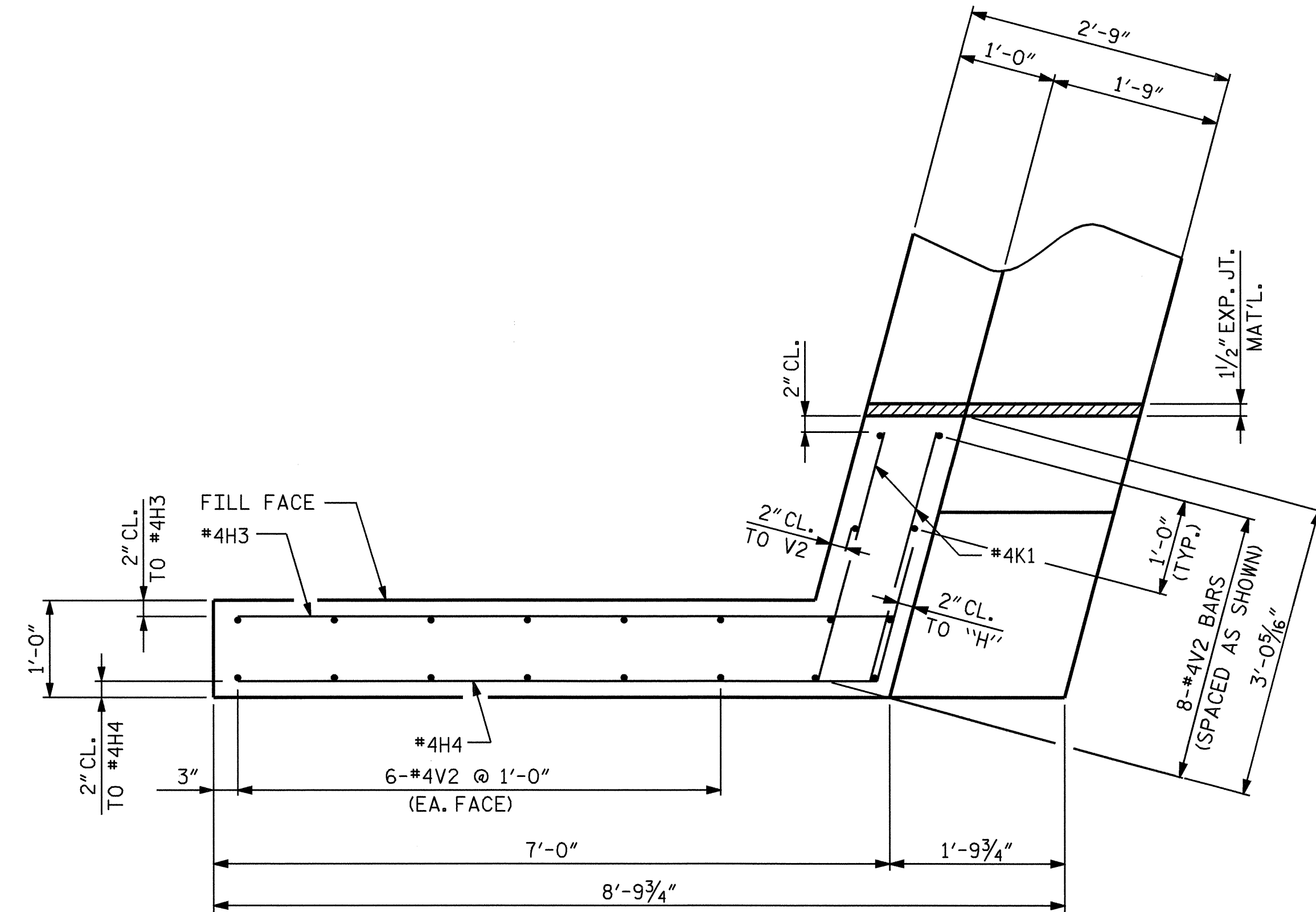


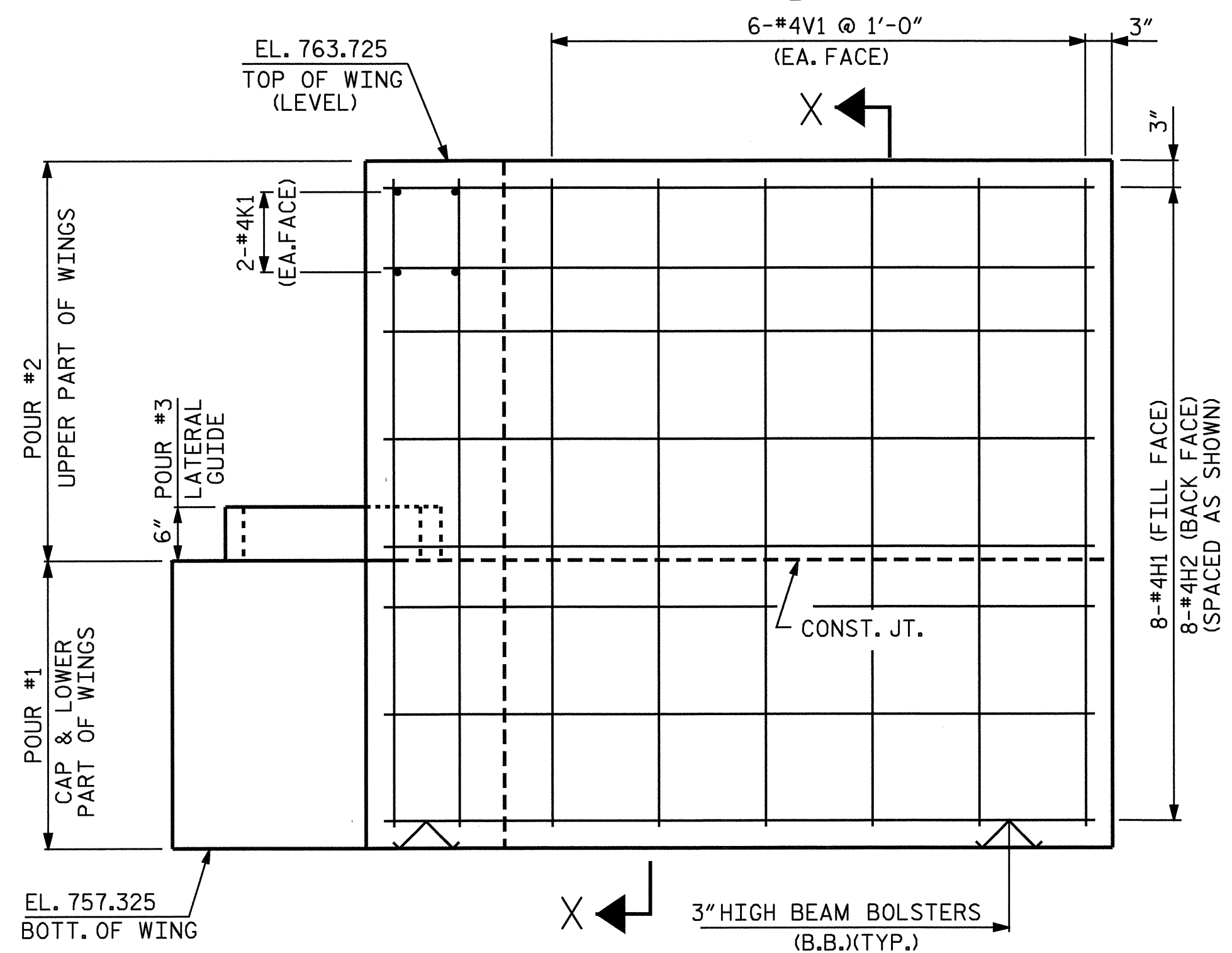
PLAN OF LEFT WING (W1)



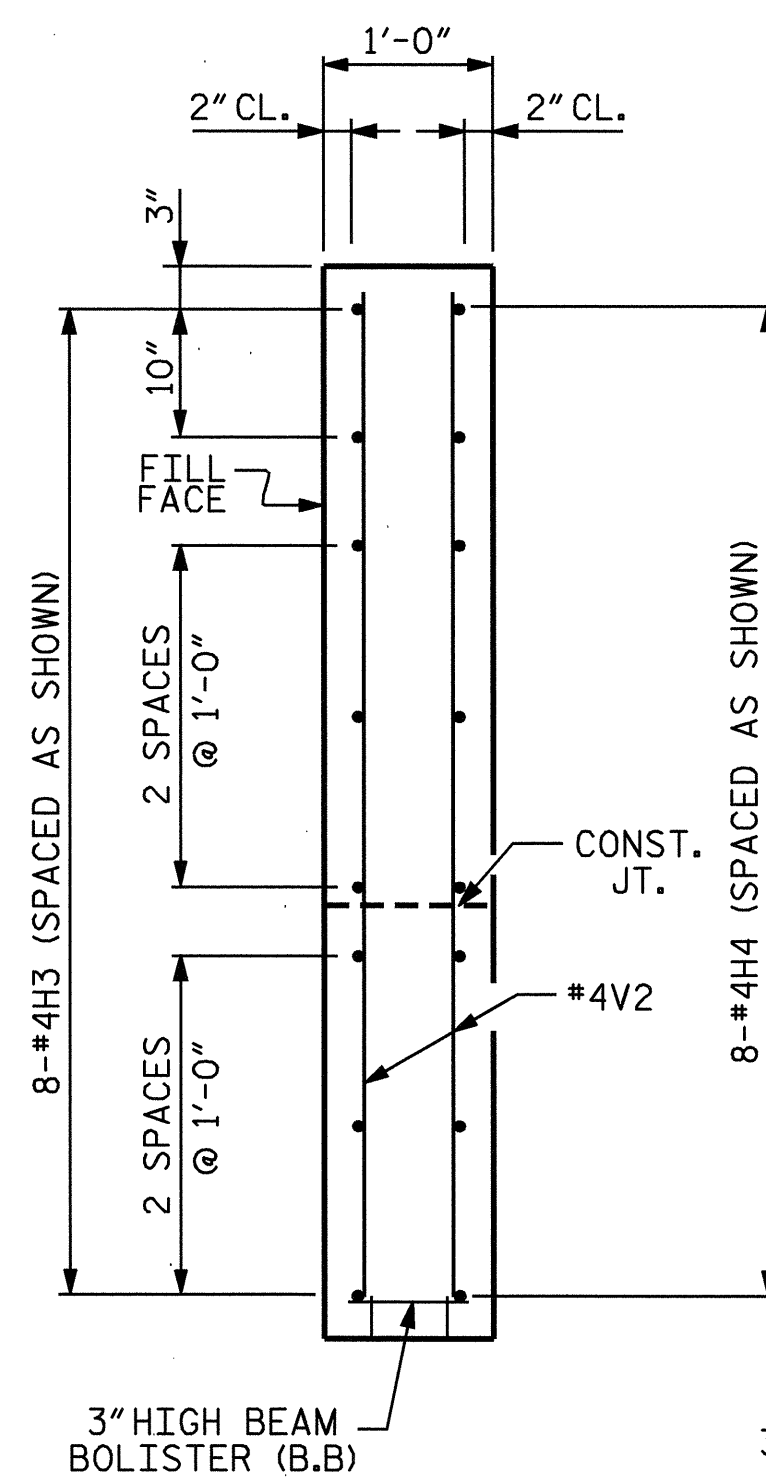
SECTION X-X



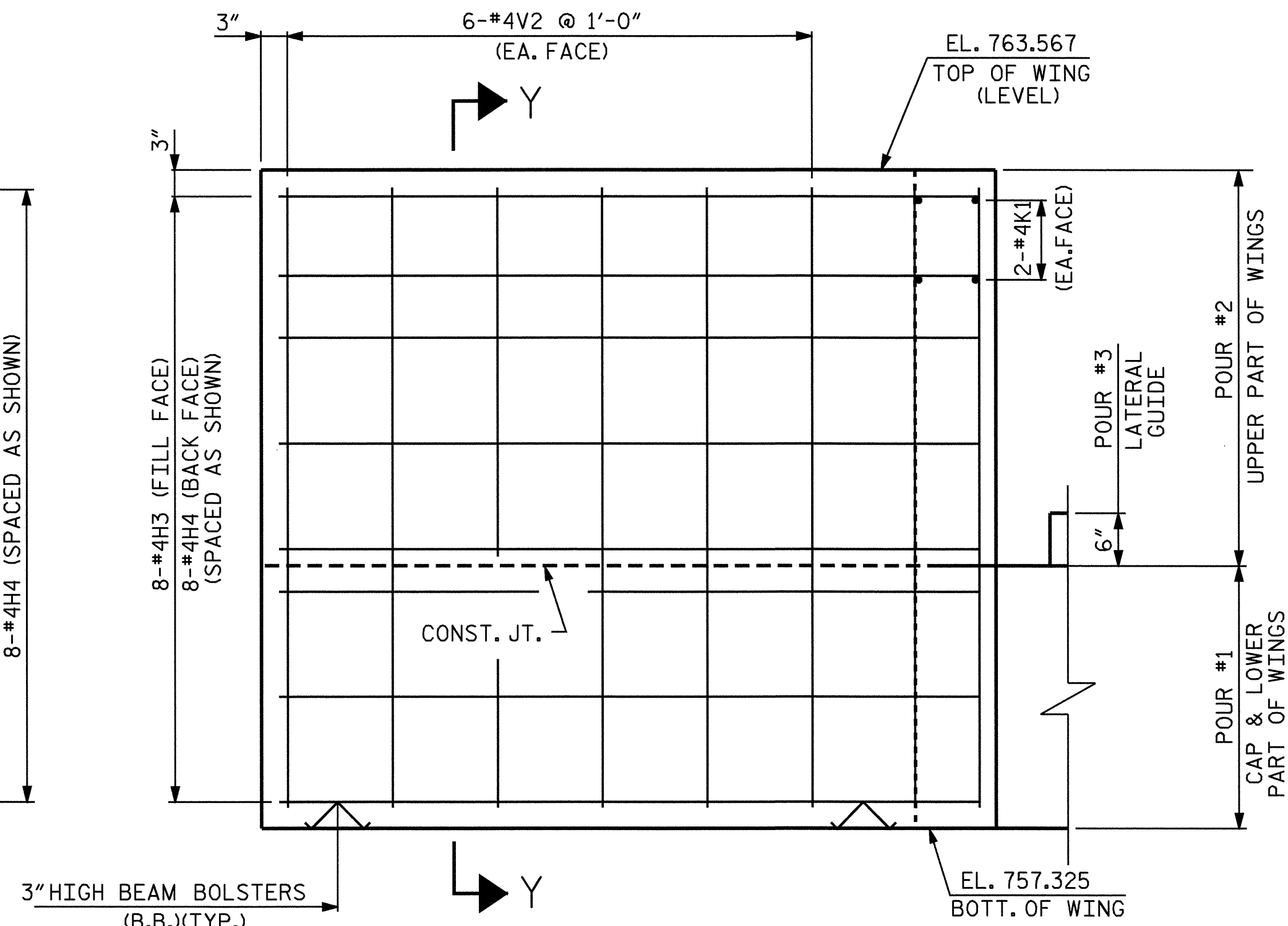
PLAN OF RIGHT WING (W2)



ELEVATION OF LEFT WING (W1)



SECTION Y-Y



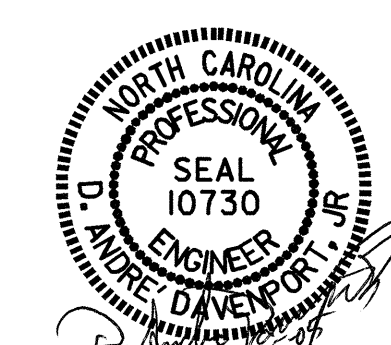
ELEVATION OF RIGHT WING (W2)

PROJECT NO. B-4266
 RUTHERFORD COUNTY
 STATION: 13+29.00 -L-

SHEET 2 OF 3

STATE OF NORTH CAROLINA
 DEPARTMENT OF TRANSPORTATION
 RALEIGH

SUBSTRUCTURE
 END BENT #1
 WING DETAILS



DRAWN BY: A. SORSENGINH/DAD DATE: 2/22/05
 CHECKED BY: H.T. BARBOUR DATE: 6/05

05-AUG-2005 07:04
 R:\STRUCT\adavenport\Microstation\B4266.sd.E*.dgn
 adavenport

REVISIONS						SHEET NO.	
NO.	BY:	DATE:	NO.	BY:	DATE:	S-10	
1			3			TOTAL SHEETS	18
2			4				