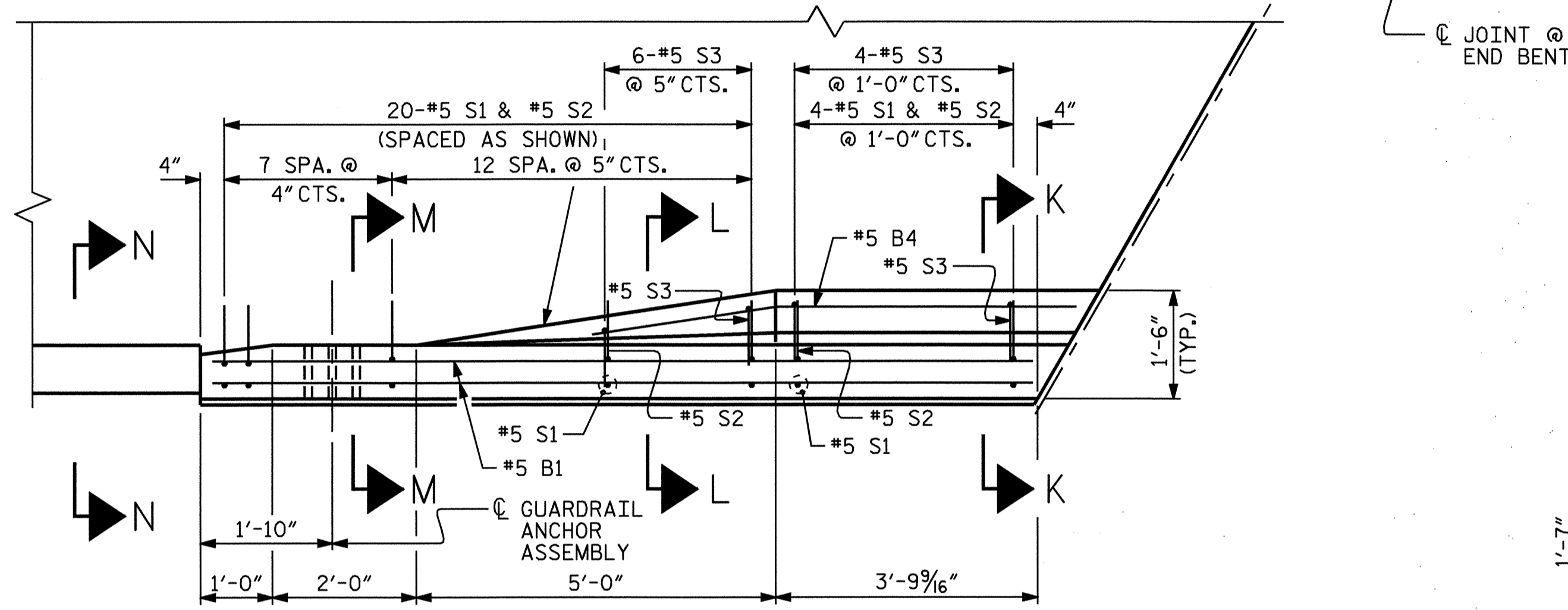
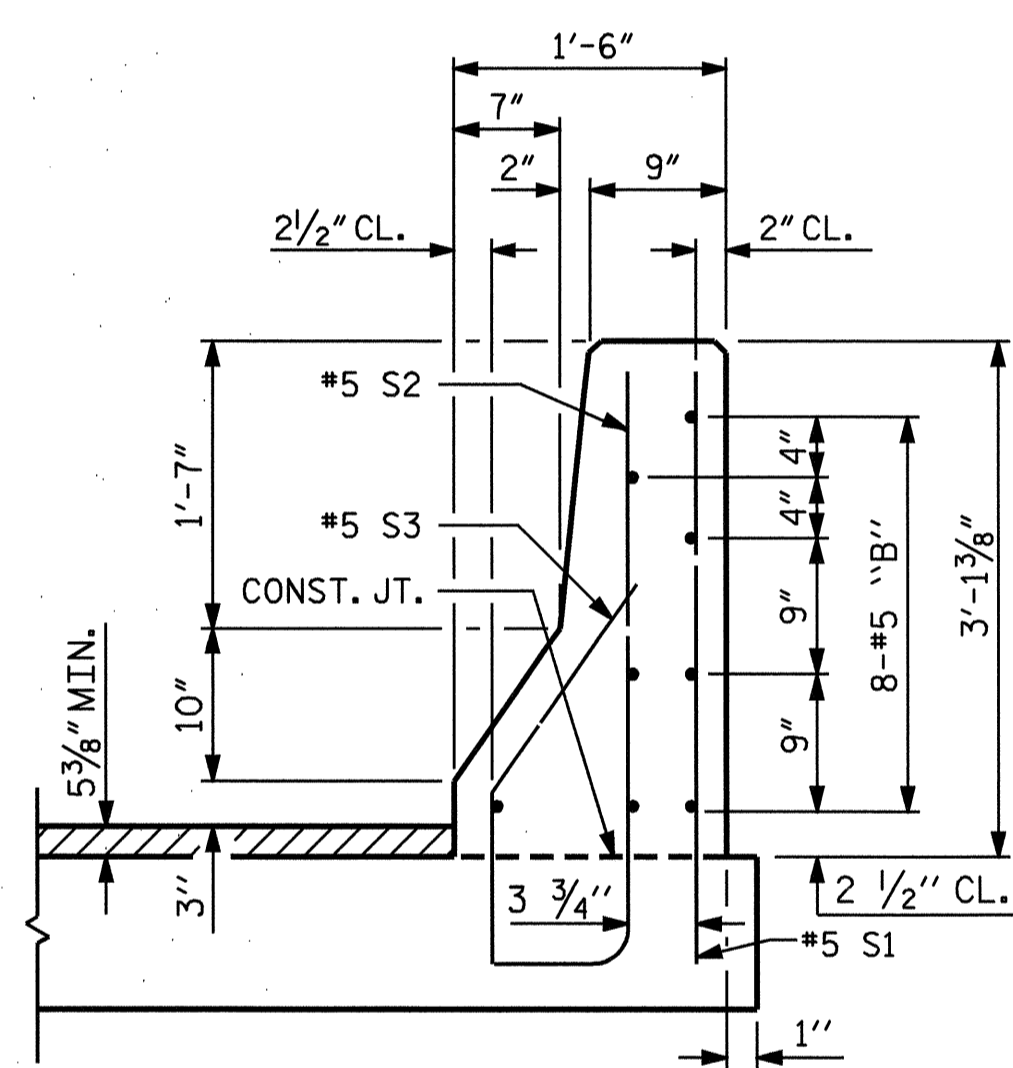


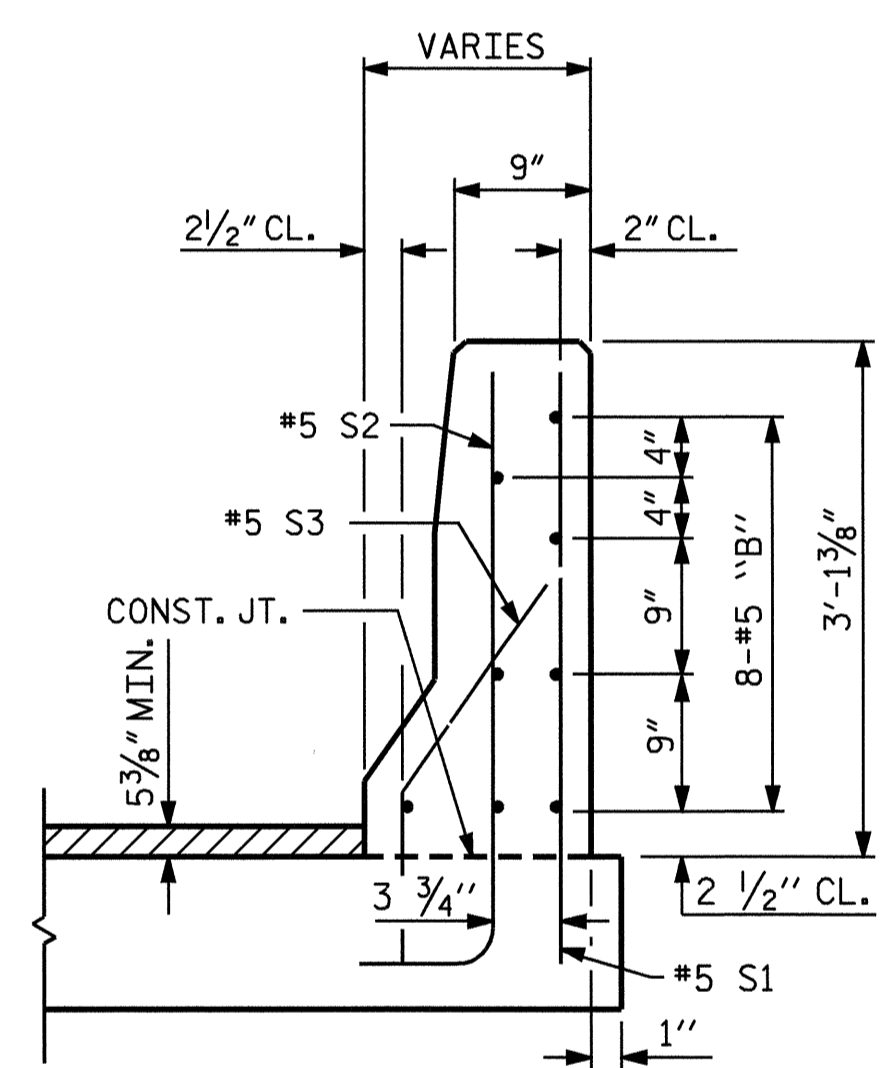
PLAN SECTION E-E
GUARDRAIL ANCHOR ASSEMBLY DETAILS



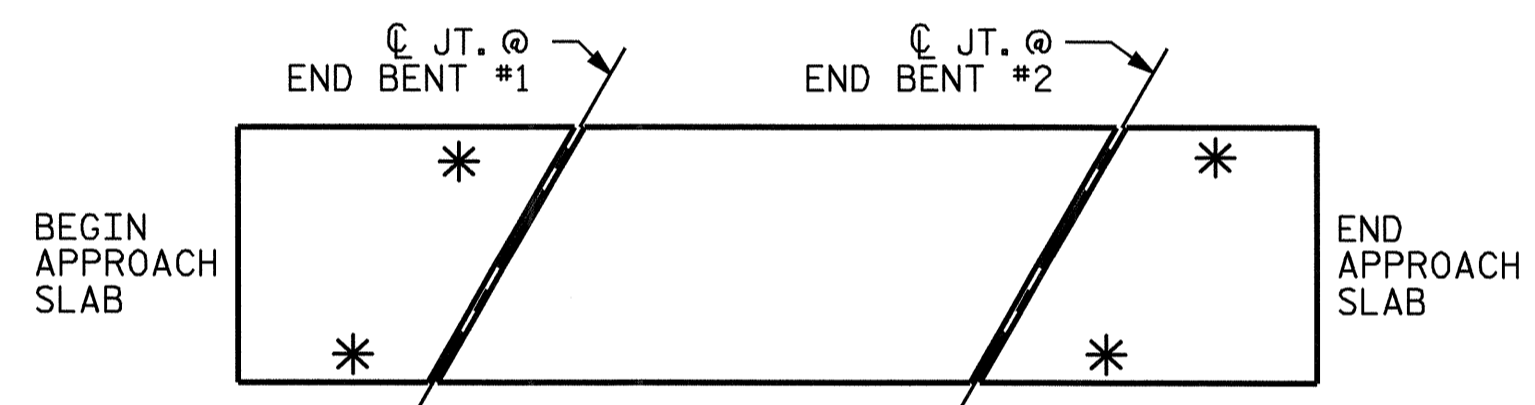
PLAN
 BEGIN APPROACH SLAB SHOWN,
 END APPROACH SLAB SIMILAR



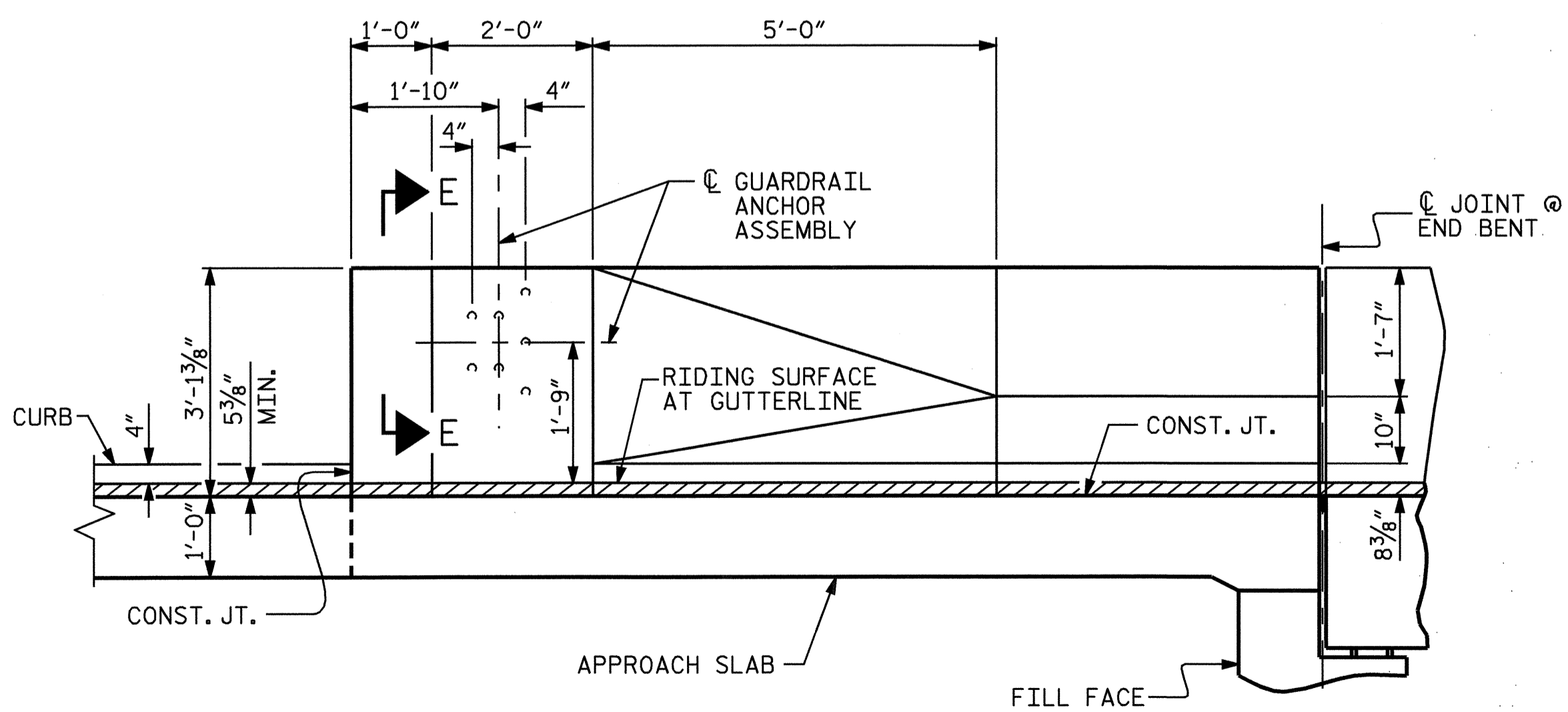
SECTION K-K



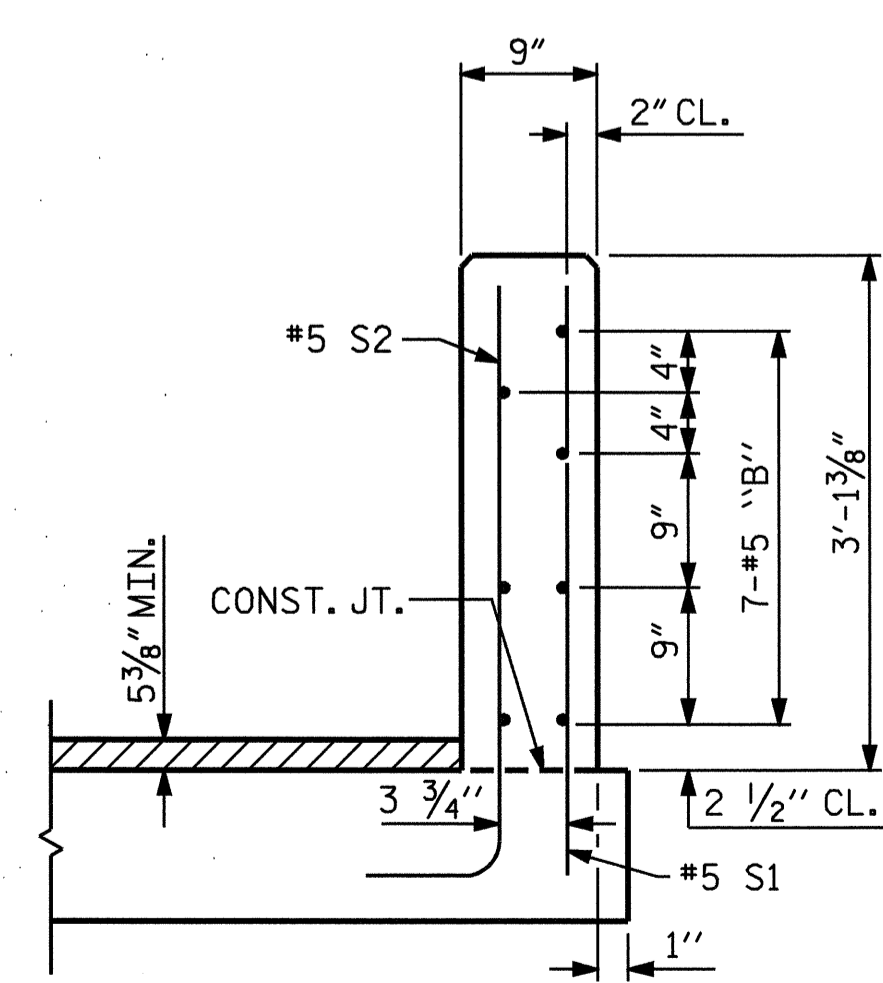
SECTION L-L



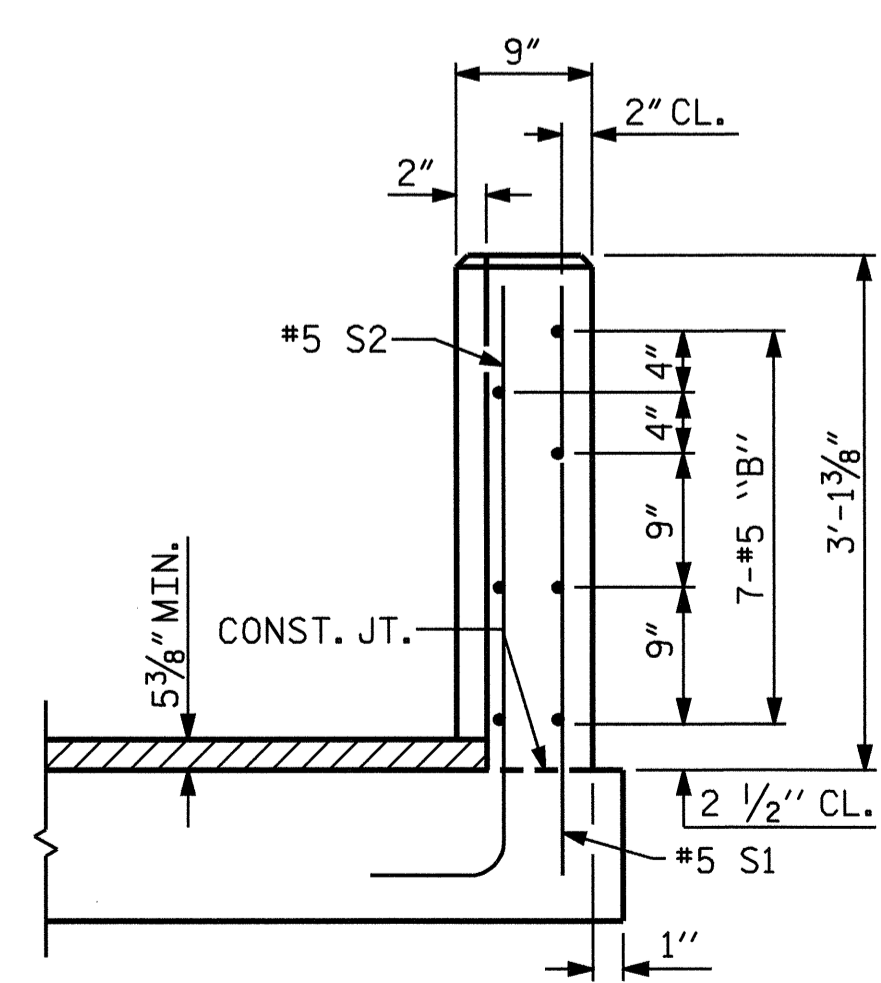
SKETCH SHOWING POINTS OF ATTACHMENT
 * INDICATES POINTS OF ATTACHMENT



ELEVATION



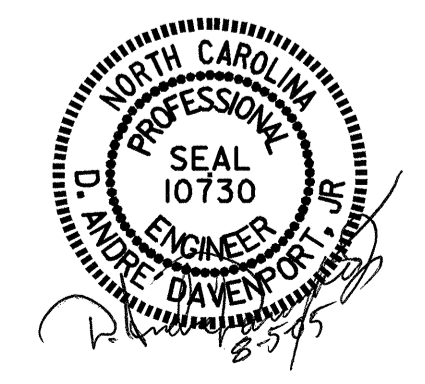
SECTION M-M



END VIEW

ASSEMBLED BY : S. P. LAM	DATE : 8/05/05
CHECKED BY : AS / DAD	DATE : 8/05/05
DRAWN BY : LES 8/01	REV. 5/7/03R RWW/JTE
CHECKED BY : RDR 8/01	

05-AUG-2005 13:59
 R:\STRUCT\aliam\MICROS2\B-42662.DGN
 adavenport



PROJECT NO. B-4266
RUTHERFORD COUNTY
 STATION: 13+29.00 -L-

SHEET 2 OF 3

REVISIONS						SHEET NO.
NO.	BY:	DATE:	NO.	BY:	DATE:	S-17
1			3			TOTAL SHEETS 18
2			4			

STD. NO. BAS9