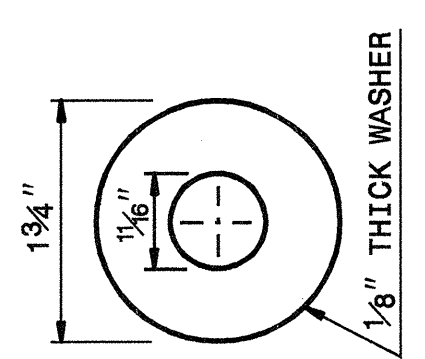
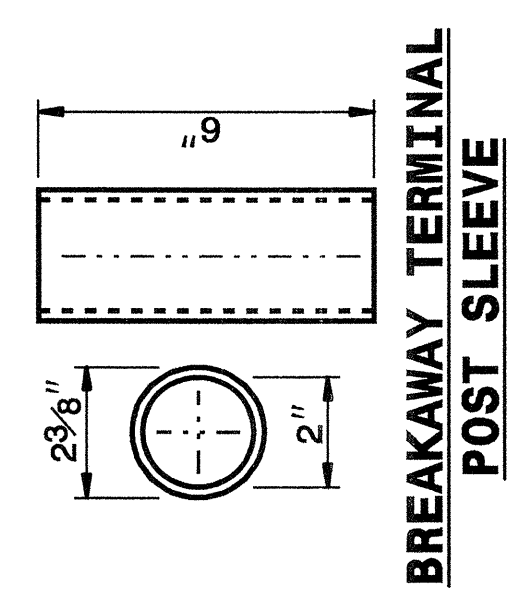
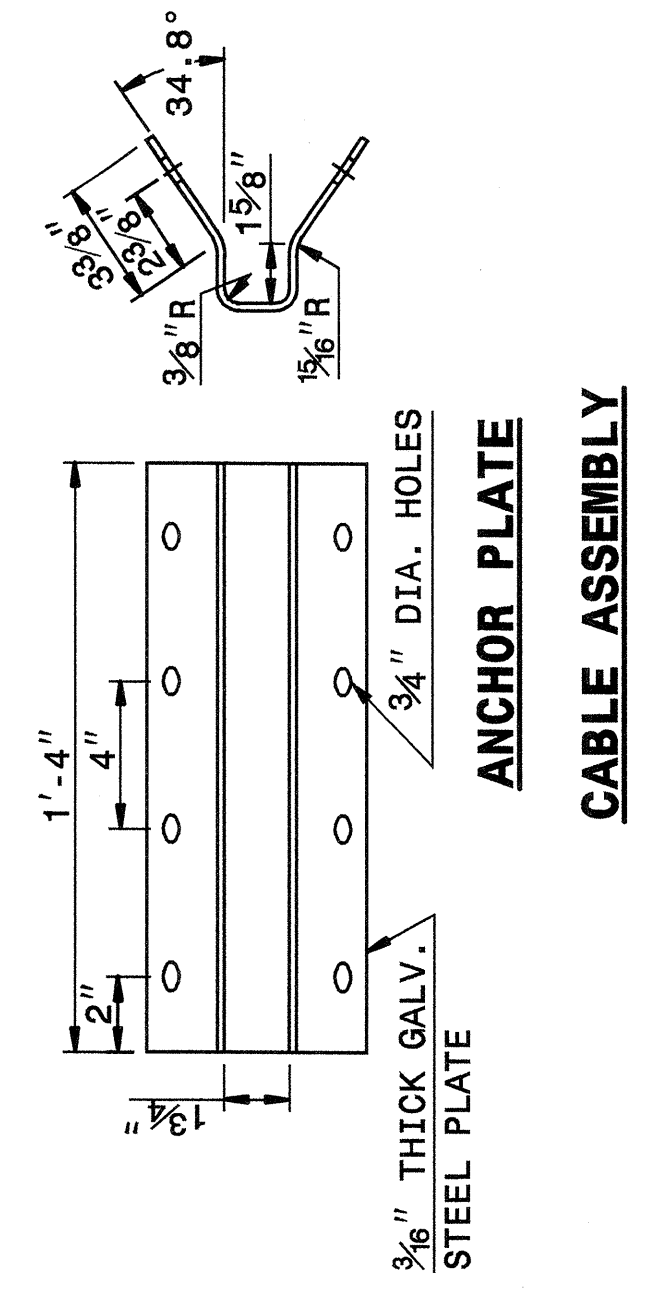
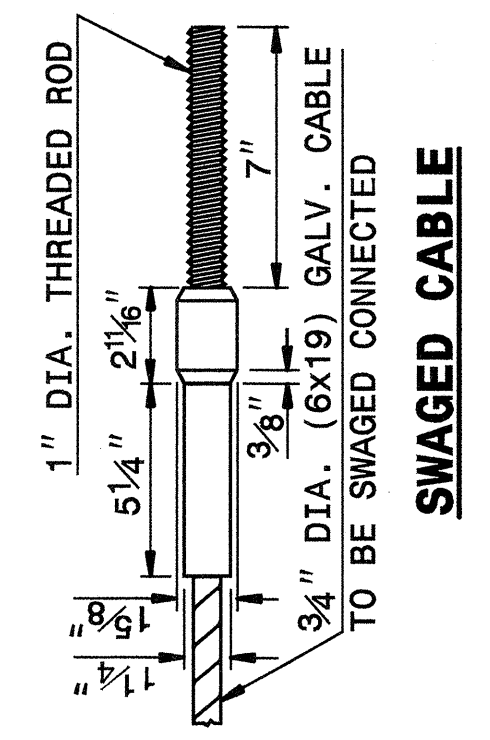
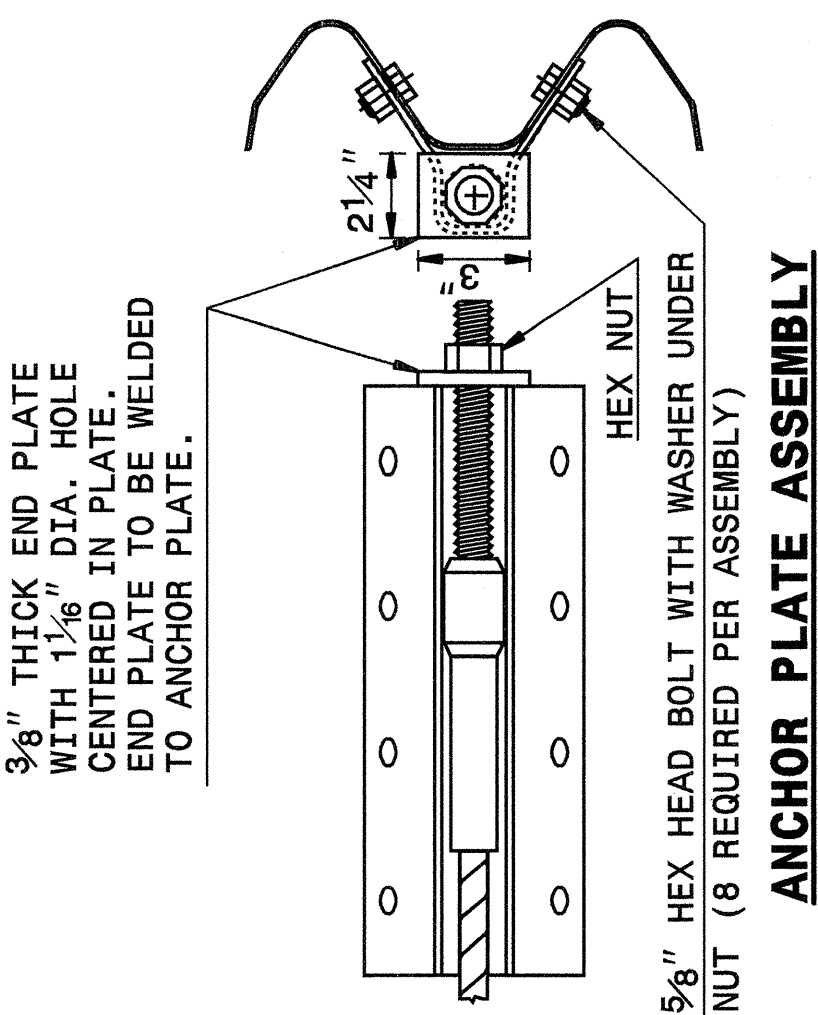


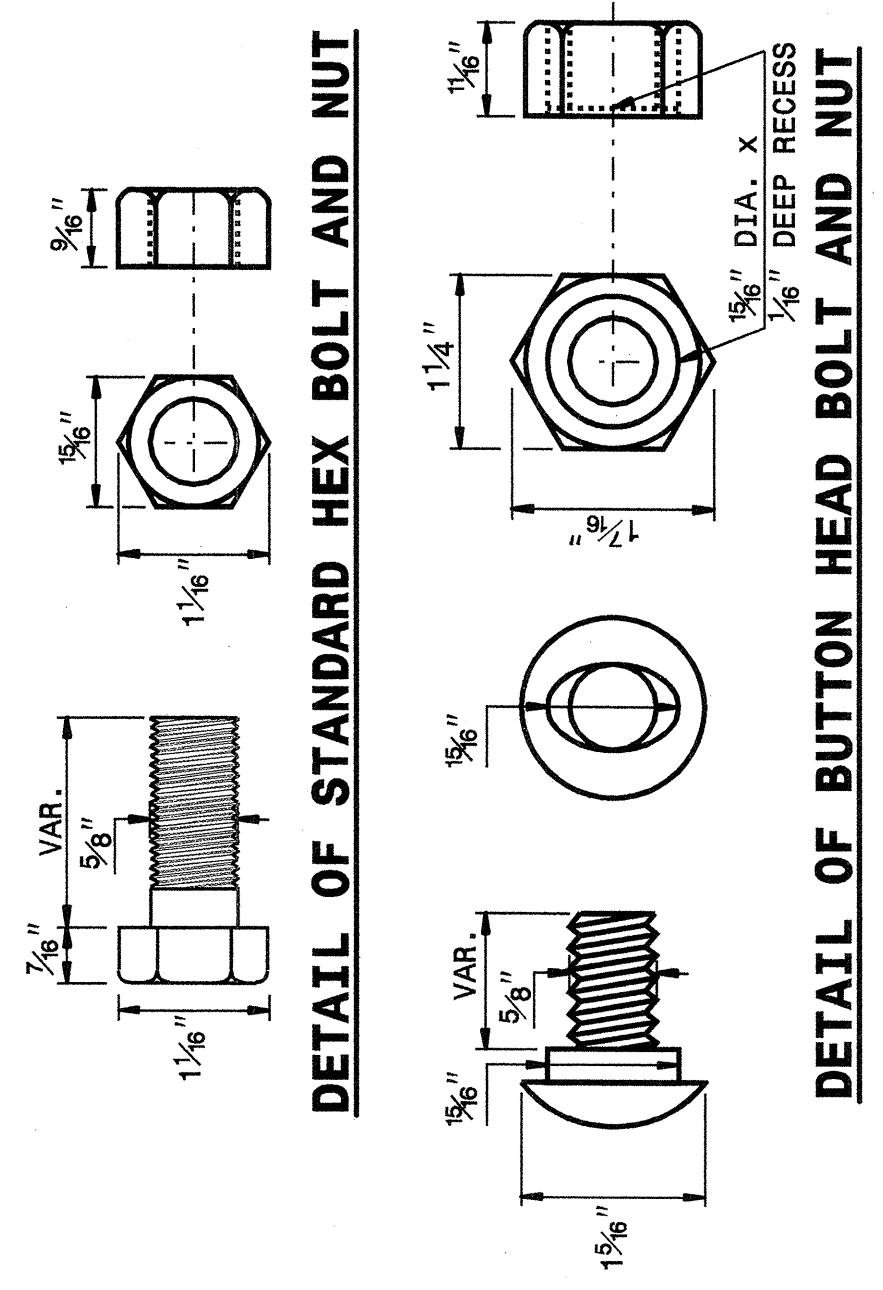
STATE OF NORTH CAROLINA DEPT. OF TRANSPORTATION DIVISION OF HIGHWAYS RALEIGH, N.C.

ENGLISH DETAIL DRAWING FOR GUARDRAIL INSTALLATION

SHEET 5 OF 7 862D02



STANDARD WASHER: TYPICAL USE UNDER NUT WITH WOOD POST



STATE OF NORTH CAROLINA DEPT. OF TRANSPORTATION DIVISION OF HIGHWAYS RALEIGH, N.C.

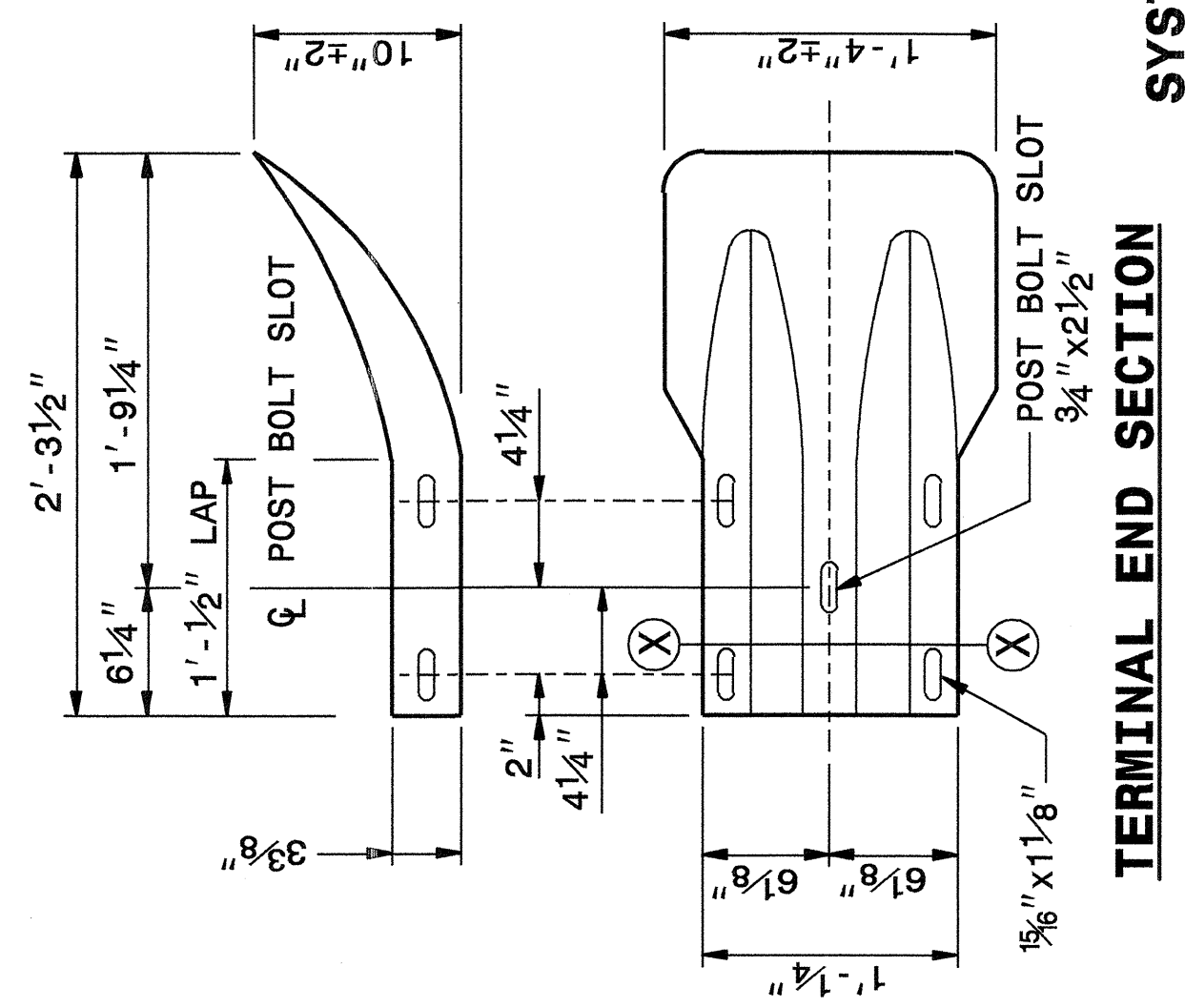
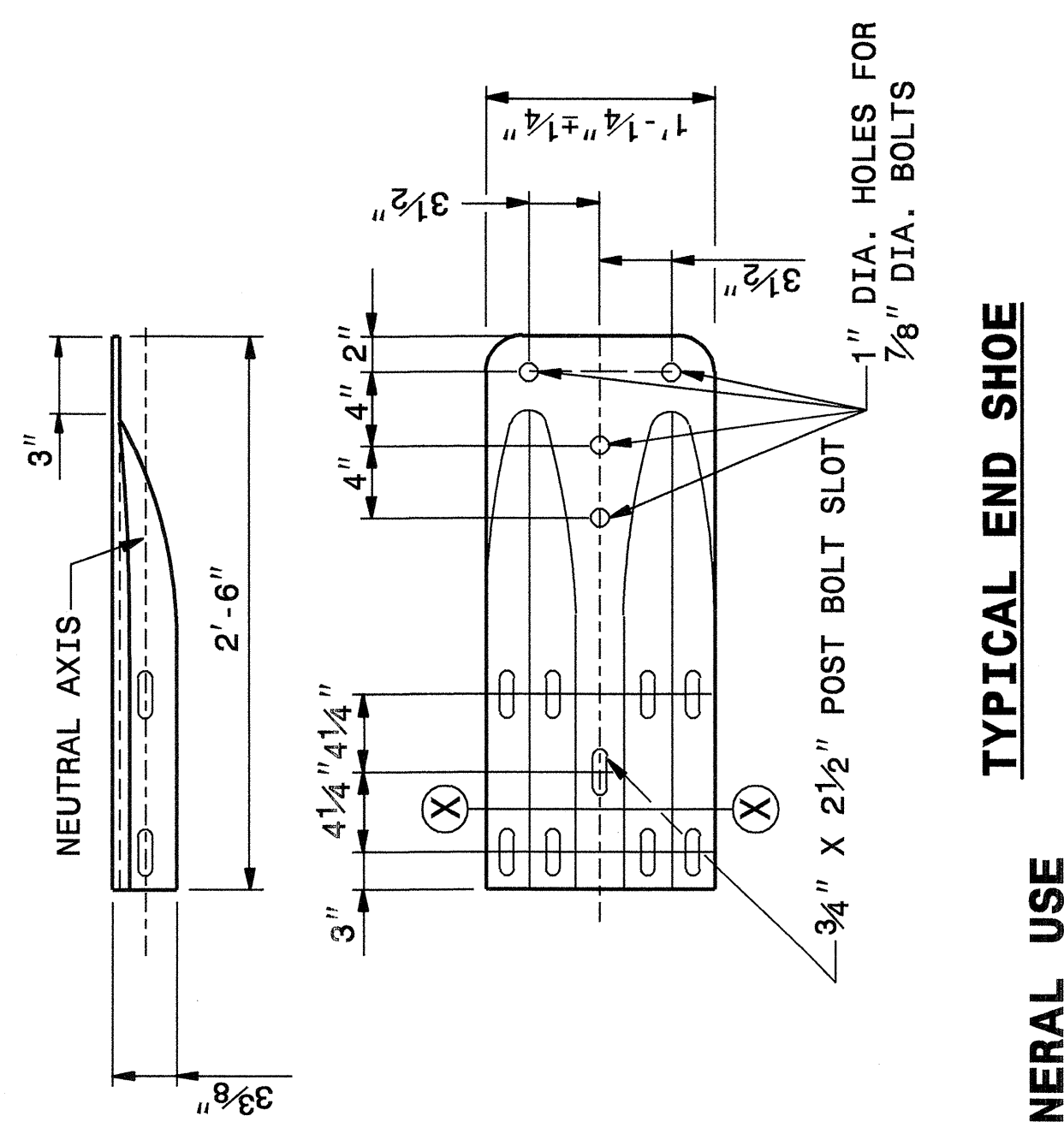
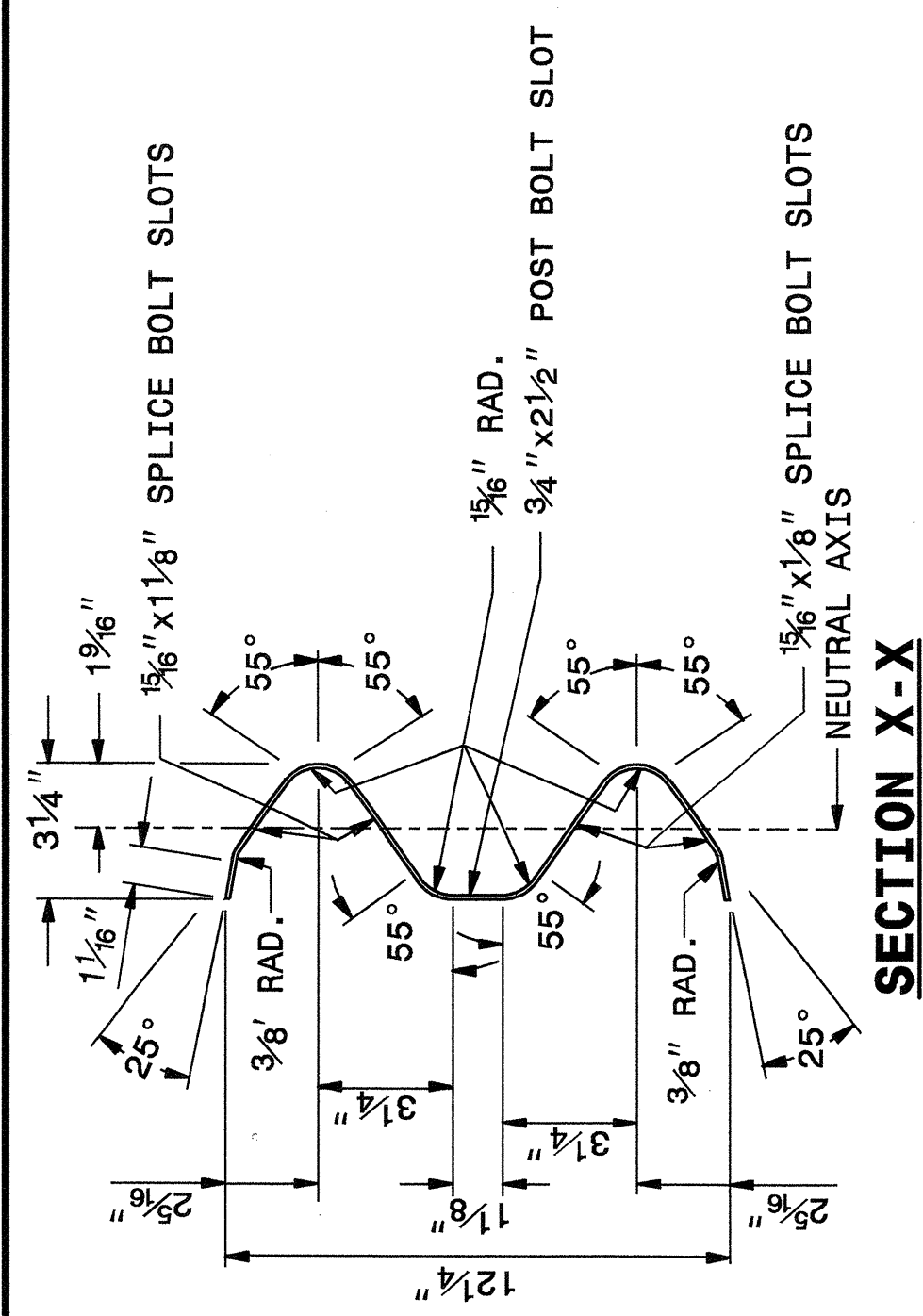
ENGLISH DETAIL DRAWING FOR GUARDRAIL INSTALLATION

SHEET 5 OF 7 862D02

STATE OF NORTH CAROLINA DEPT. OF TRANSPORTATION DIVISION OF HIGHWAYS RALEIGH, N.C.

ENGLISH DETAIL DRAWING FOR GUARDRAIL INSTALLATION

SHEET 6 OF 7 862D02



STATE OF NORTH CAROLINA DEPT. OF TRANSPORTATION DIVISION OF HIGHWAYS RALEIGH, N.C.

ENGLISH DETAIL DRAWING FOR GUARDRAIL INSTALLATION

SHEET 6 OF 7 862D02

PROJECT SERVICES UNIT
STANDARDS AND SPECIAL DESIGN
Office 919-250-4128 FAX 919-250-4119

SEE PLATE FOR TITLE

ORIGINAL BY: 2002 STD.862.02 DATE:
MODIFIED BY: E.E. WARD DATE: 02-09-03
CHECKED BY: *Joel S. Howerton* DATE: 10/21/03
FILE SPEC.: /usr/stds/02todetail/english/86202/862d02.dgn

JOEL S. HOWERTON
ENGINEER
SEAL 022966
NORTH CAROLINA PROFESSIONAL ENGINEER
10/21/03

19-OCT-2004 11:39 AM \\Special\Detail\2002\guardward\stds\02\stds to Special\Details\english\86202\0862d02.dgn