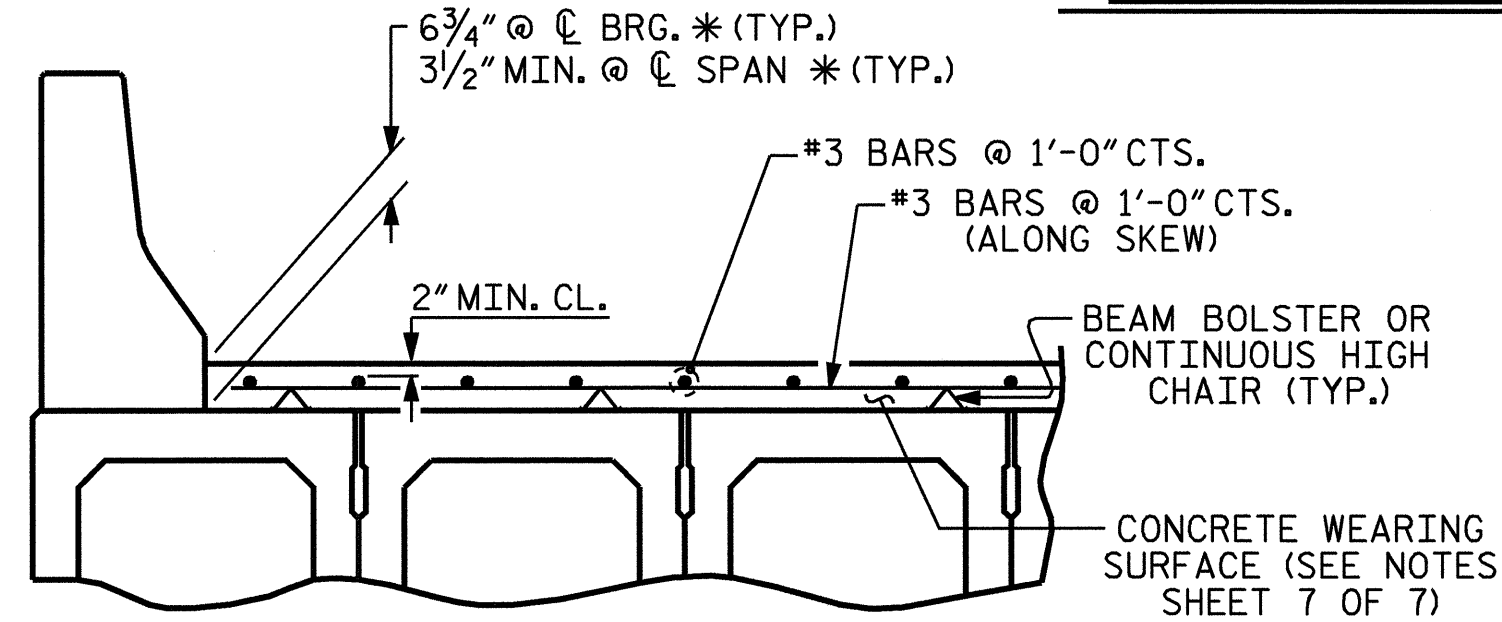


FIXED END
(TYPE I - 45 REQ'D)
EXPANSION END
(TYPE II - 45 REQ'D)
ELASTOMERIC BEARING DETAILS

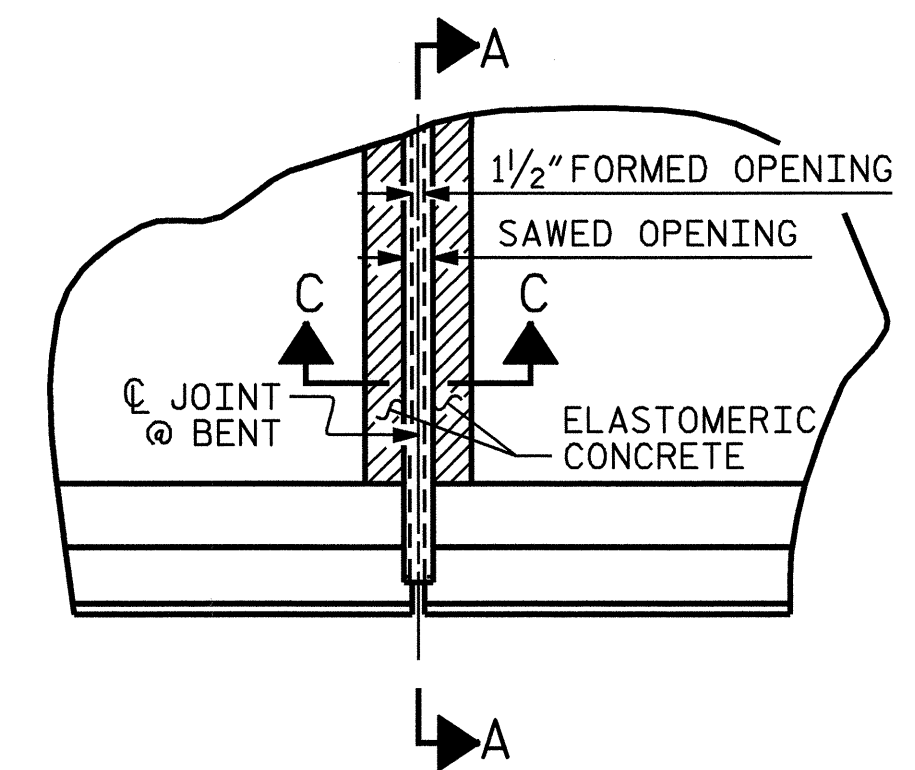
HALF SECTION AT INTERMEDIATE DIAPHRAGMS

HALF SECTION AT VOIDS

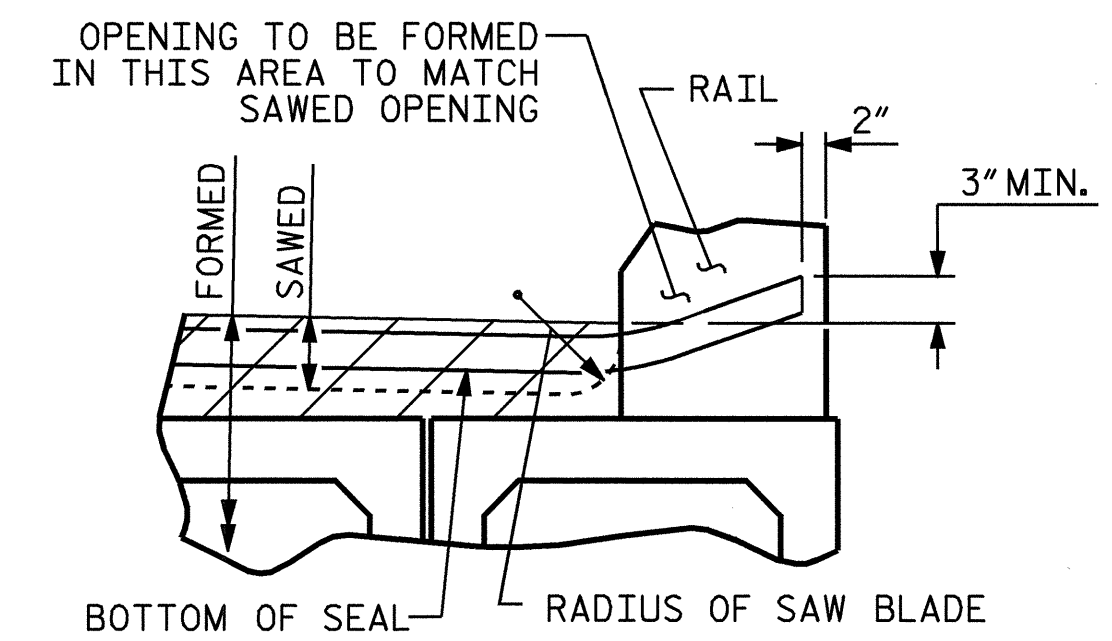
TYPICAL SECTION



REINFORCING FOR CONCRETE WEARING SURFACE



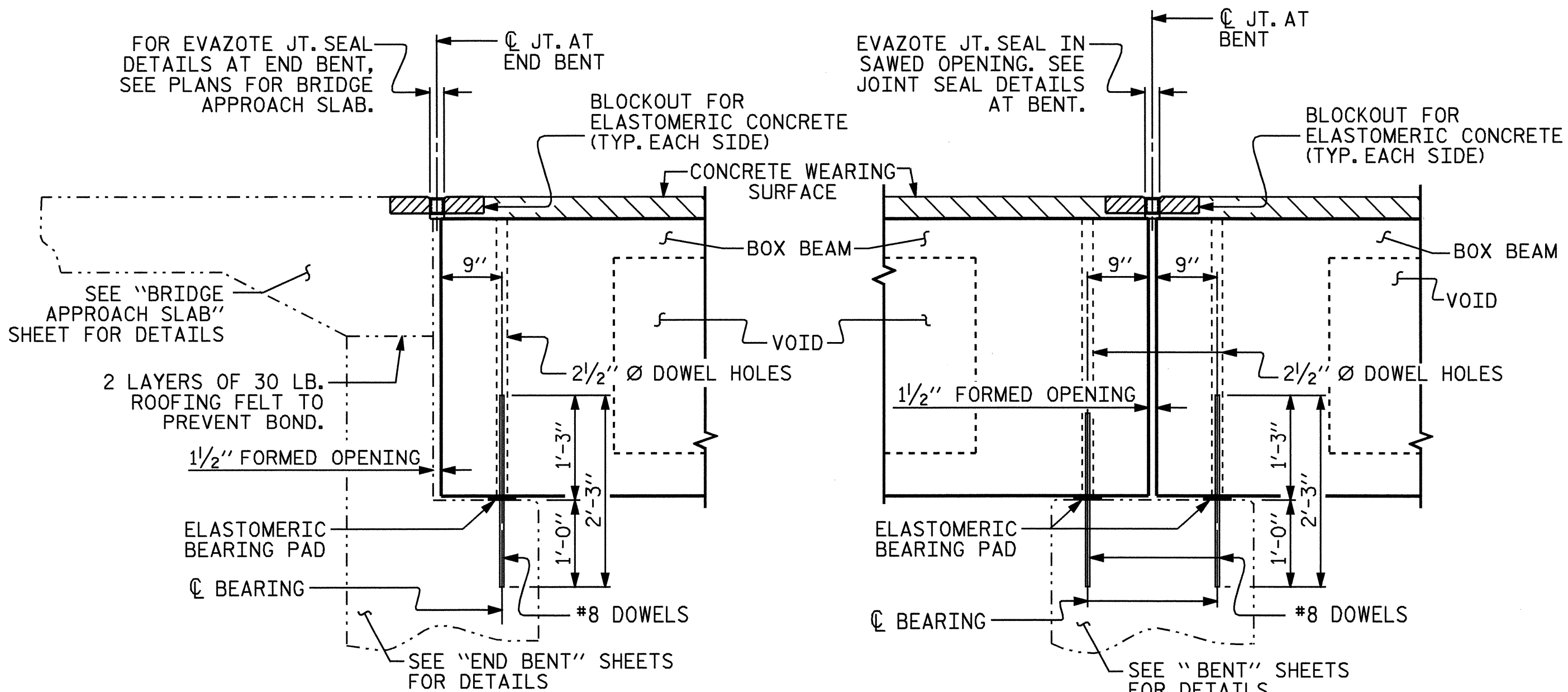
PLAN



SECTION A-A

ELASTOMERIC CONCRETE	
BENT NO.	ELASTOMERIC CONCRETE * (CU. FT.)
1	7.2
2	7.2
TOTAL	14.4

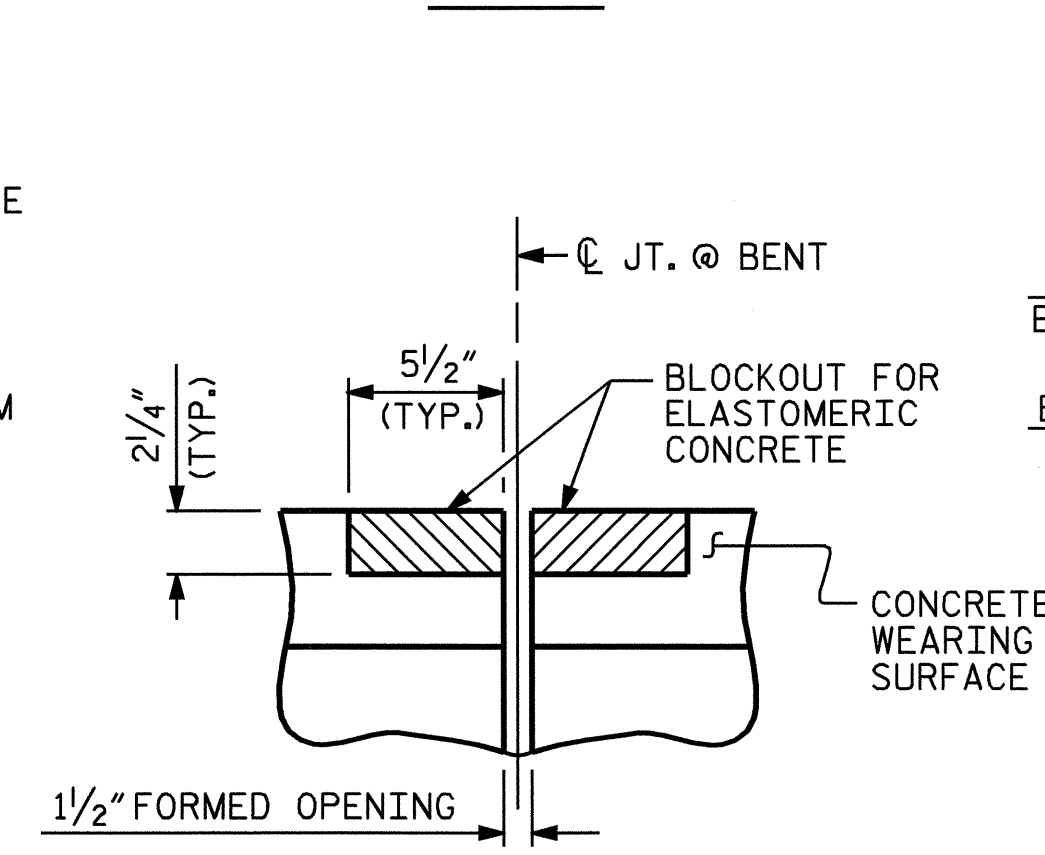
* BASED ON THE MINIMUM BLOCKOUT SHOWN.



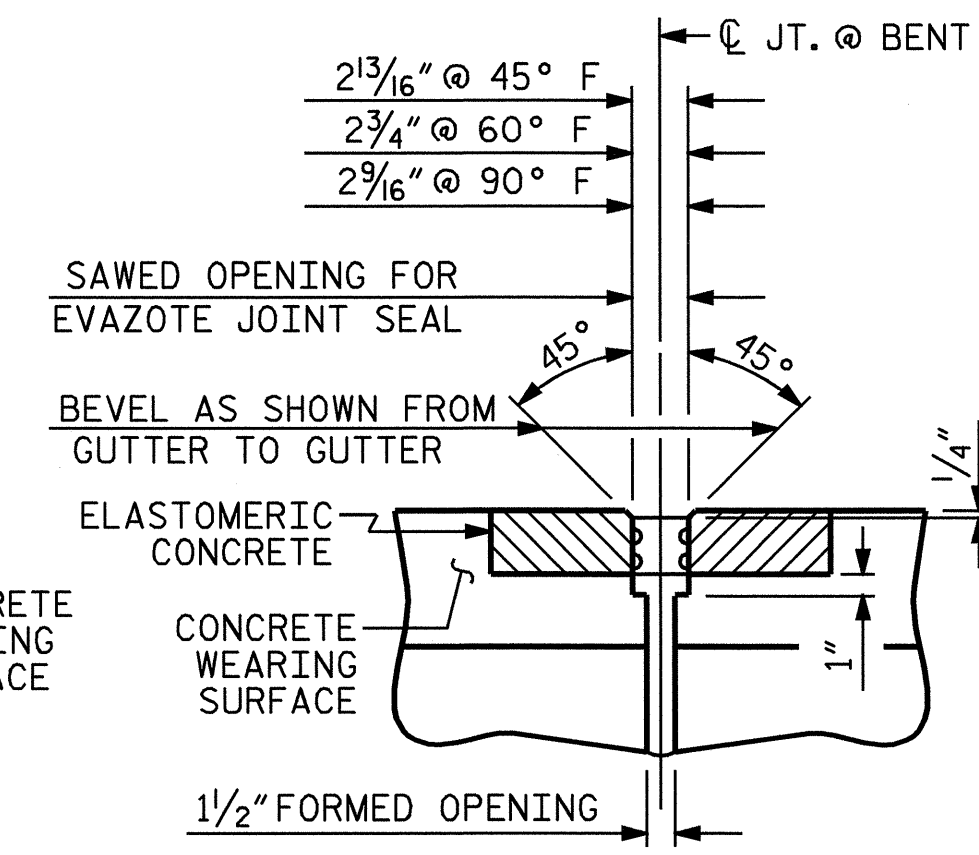
SECTION AT END BENT

(END BENT No. 1 SHOWN, END BENT No. 2 SIMILAR)

SECTION AT BENTS



SECTION C-C
EVAZOTE JOINT SEAL
(PRE-SAWED ELASTOMERIC CONCRETE DIMENSIONS)



SECTION C-C
EVAZOTE JOINT SEAL

JOINT SEAL DETAILS AT BENTS

(FOR BARRIER RAIL)

THE NOMINAL UNCOMPRESSED SEAL WIDTH OF THE EVAZOTE JOINT SEAL SHALL BE 3/16".

PROJECT NO. B-1303
NORTHAMPTON COUNTY
STATION: 18+81.00 -L-

SHEET 1 OF 7

STATE OF NORTH CAROLINA
DEPARTMENT OF TRANSPORTATION
RALEIGH
STANDARD
3'-0" X 2'-3"
PRESTRESSED CONCRETE
BOX BEAM UNIT



REVISIONS				SHEET NO.	
NO.	BY:	DATE:	NO.	BY:	DATE:
1			3		
2			4		

DRAWN BY : B.N. GRADY DATE : 2/05
CHECKED BY : A.R. CHESSON DATE : 3/05