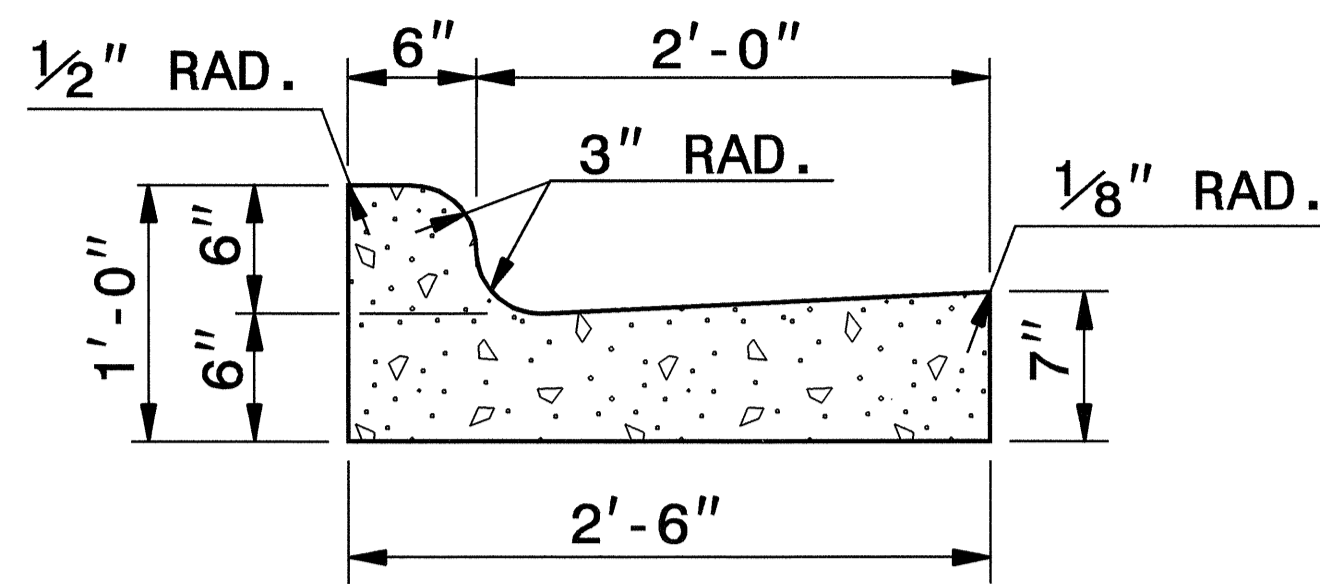


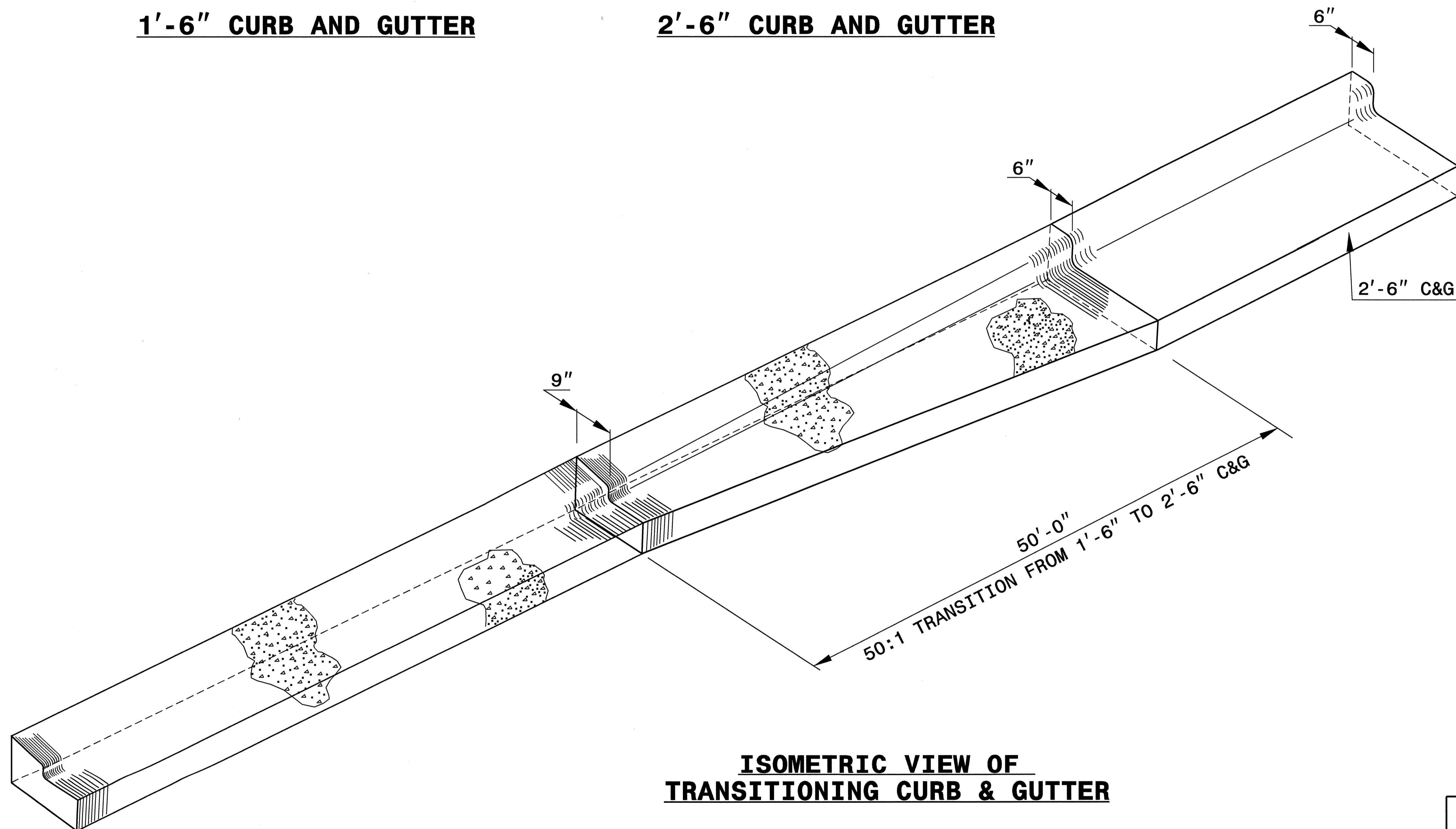
1'-6" CURB AND GUTTER



2'-6" CURB AND GUTTER

NOTE: SEE STD. DWG. 846.01 FOR ADDITIONAL CURB AND GUTTER INFORMATION.

SEE ROADWAY PLANS FOR LOCATION OF CURB TRANSITION.



**ISOMETRIC VIEW OF
TRANSITIONING CURB & GUTTER**

NORTH CAROLINA
 PROFESSIONAL
 SEAL
 022966
 ENGINEER
 JOEL S. HOWERTON
 J.S.H.
 1/18/05

DESIGN SERVICES UNIT
STANDARDS AND SPECIAL DESIGN
 Office 919-250-4128 FAX 919-250-4119

DETAIL OF 1'-6"
TO 2'-6" CURB & GUTTER
TRANSITION SECTION

ORIGINAL BY: T.S. Spell	DATE: 9-4-02
MODIFIED BY: [Signature]	DATE: [Blank]
CHECKED BY: [Signature]	DATE: 9-03
FILE SPEC.: w:\details\stand\cgttransit.dgn	