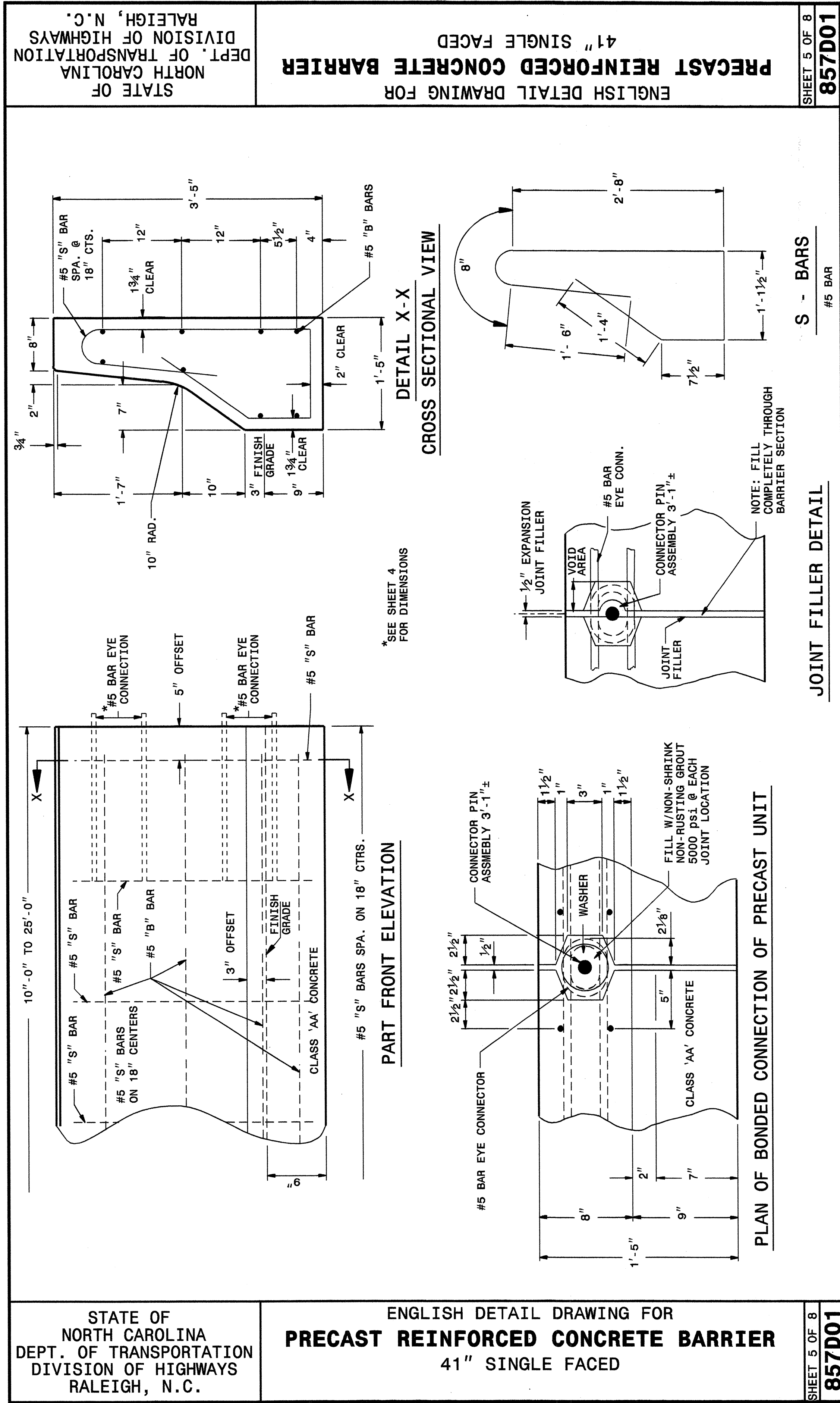


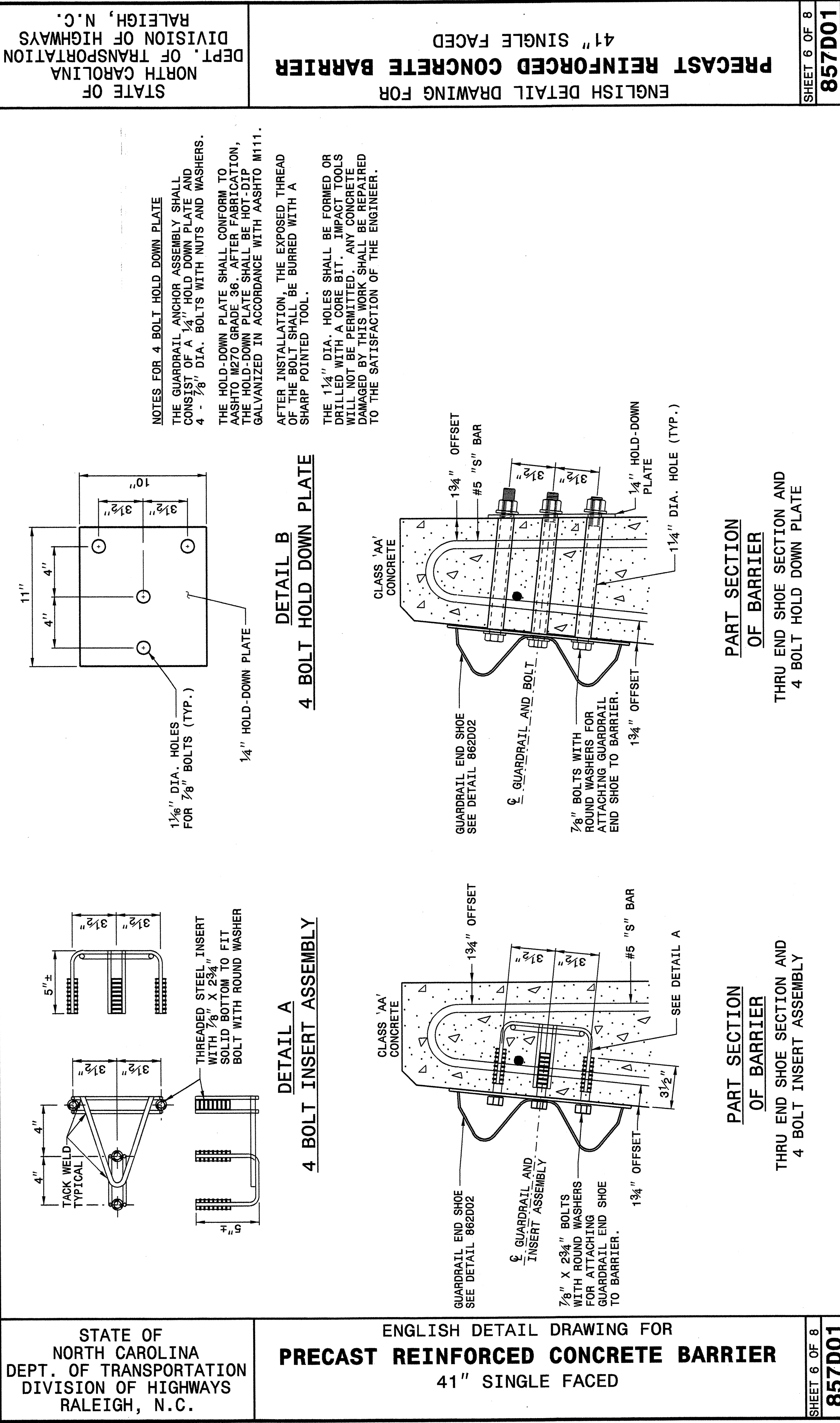
08-APR-2004 11:32
 M:\Special Details\ward\stds\02\stds to Special Details\english\85701\857d01.dgn
 5/14/99



STATE OF NORTH CAROLINA
DEPT. OF TRANSPORTATION
DIVISION OF HIGHWAYS
RALEIGH, N.C.

ENGLISH DETAIL DRAWING FOR
PRECAST REINFORCED CONCRETE BARRIER
41" SINGLE FACED

SHEET 5 OF 8
857D01



STATE OF NORTH CAROLINA
DEPT. OF TRANSPORTATION
DIVISION OF HIGHWAYS
RALEIGH, N.C.

ENGLISH DETAIL DRAWING FOR
PRECAST REINFORCED CONCRETE BARRIER
41" SINGLE FACED

SHEET 6 OF 8
857D01

DESIGN SERVICES UNIT
STANDARDS AND SPECIAL DESIGN
Office 919-250-4128 FAX 919-250-4119

SEE PLATE FOR TITLE

ORIGINAL BY: 2002 STD.857.01 DATE:
MODIFIED BY: E.E. WARD DATE: 4-07-04
CHECKED BY: C.B. WARD DATE: 4-12-04
FILE SPEC.: /usr/stds/02stdeta1/english/85701/857d01.dgn

PROFESSIONAL ENGINEER
SEAL 022966
JOEL S. HOWERTON
1/18/05