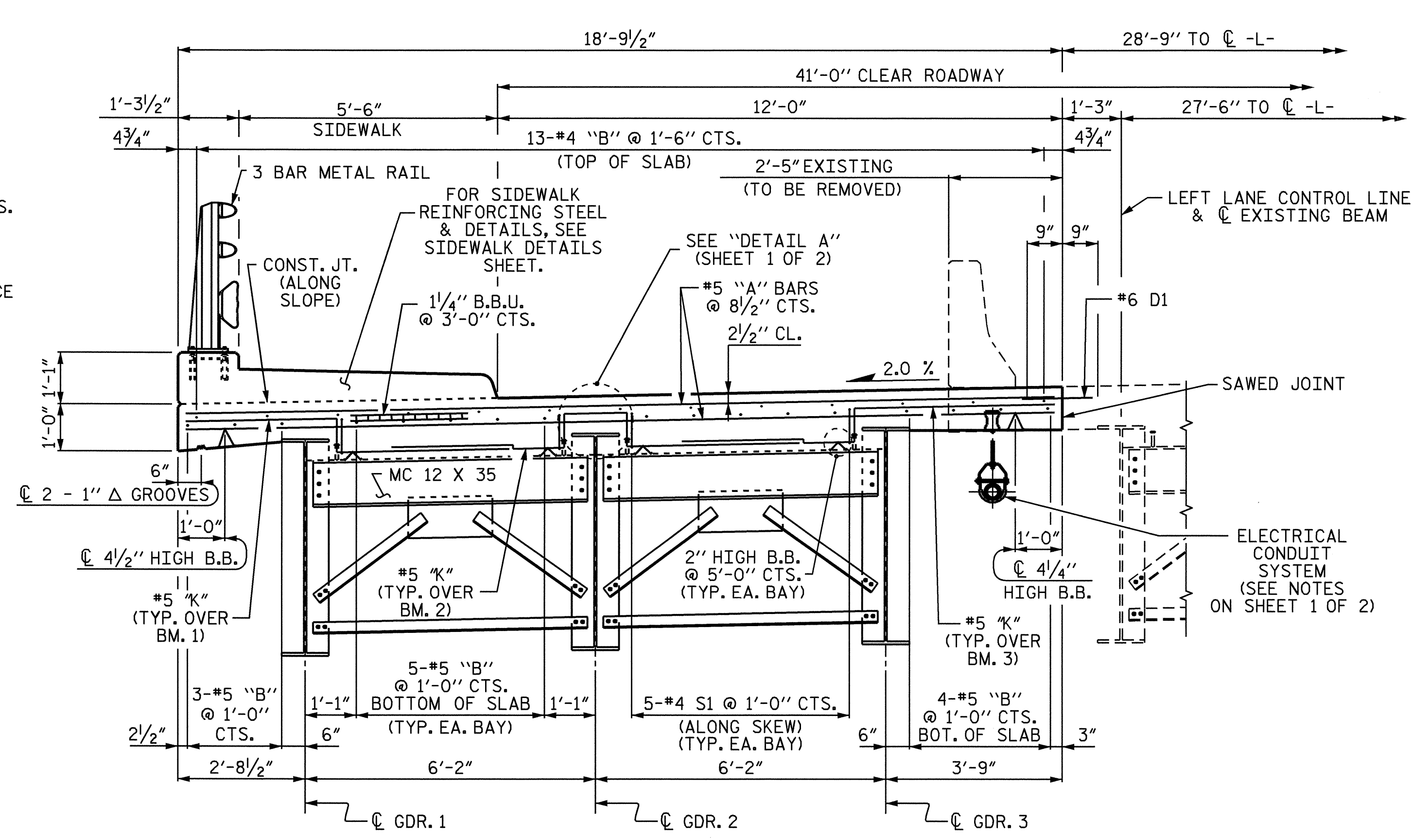


**SECTION THRU BENT 1**

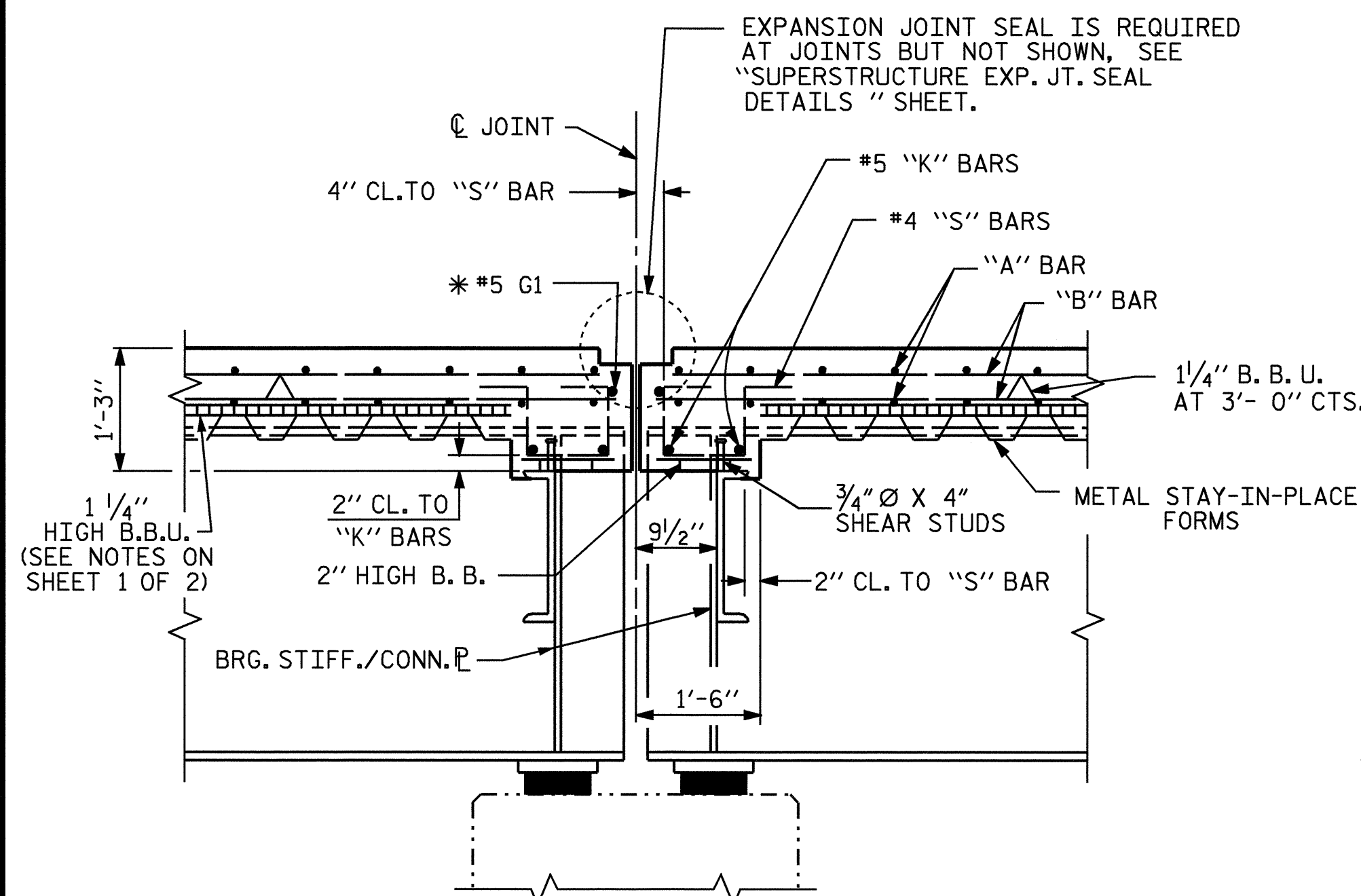
BENT 1 SHOWN, BENT 3 SIMILAR

\* #5 G1 BAR MAY BE SHIFTED SLIGHTLY, AS NECESSARY, TO CLEAR REINFORCING STEEL.



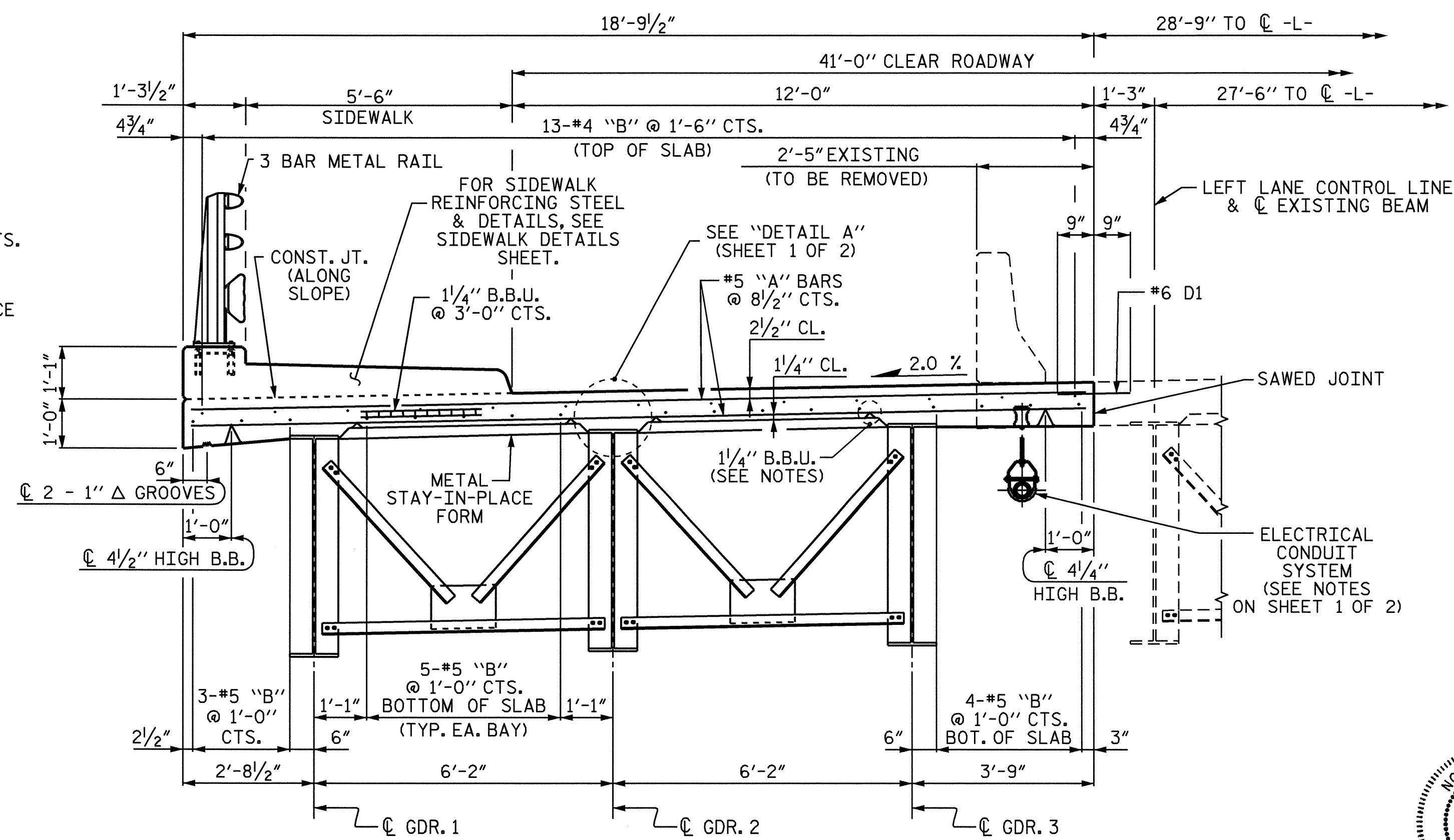
**TYPICAL SECTION**

SHOWING BENT DIAPHRAGMS



**SECTION THRU BENT 2**

\* #5 G1 BAR MAY BE SHIFTED SLIGHTLY, AS NECESSARY, TO CLEAR REINFORCING STEEL.



**TYPICAL SECTION**

SHOWING INTERMEDIATE DIAPHRAGMS FOR SPANS B & C

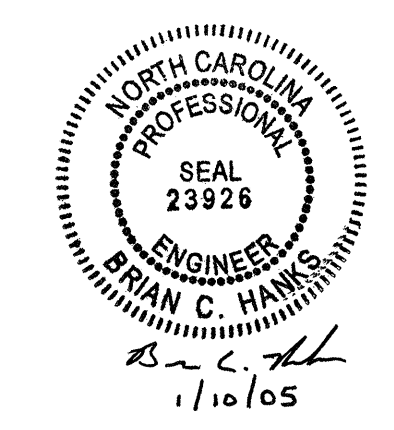
PROJECT NO. U-3837  
 FORSYTH COUNTY  
 STATION: 21+64.07 -L-

SHEET 2 OF 2

STATE OF NORTH CAROLINA  
 DEPARTMENT OF TRANSPORTATION  
 RALEIGH

**SUPERSTRUCTURE  
 TYPICAL SECTIONS  
 AND DETAILS**

(LEFT LANE WIDENING)



DRAWN BY: William J. Parker DATE: 02/03/04  
 CHECKED BY: K. K. PUROHIT DATE: 5/25/04

REVISIONS						SHEET NO.
NO.	BY:	DATE:	NO.	BY:	DATE:	S-5
1			3			TOTAL SHEETS 78
2			4			