

NOTE:  
 THESE DOWELS TO BE PLACED AFTER SAWING OF THE JOINT AT BOTH END BENTS. THE HOLES SHALL BE DRILLED AND THE DOWELS GROUDED IN PLACE. NO GROUDED DOWELS ARE REQUIRED AT BENTS.

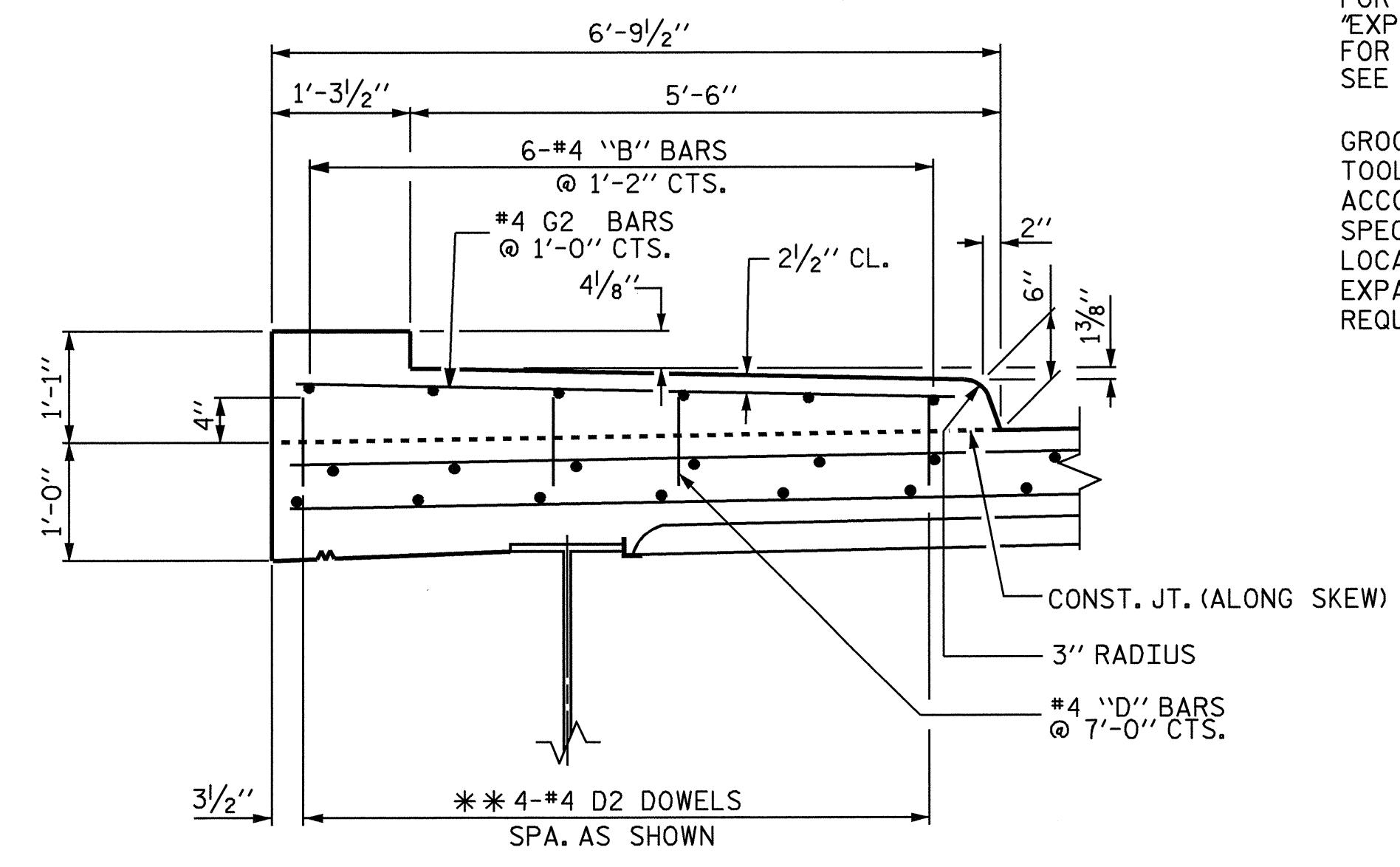
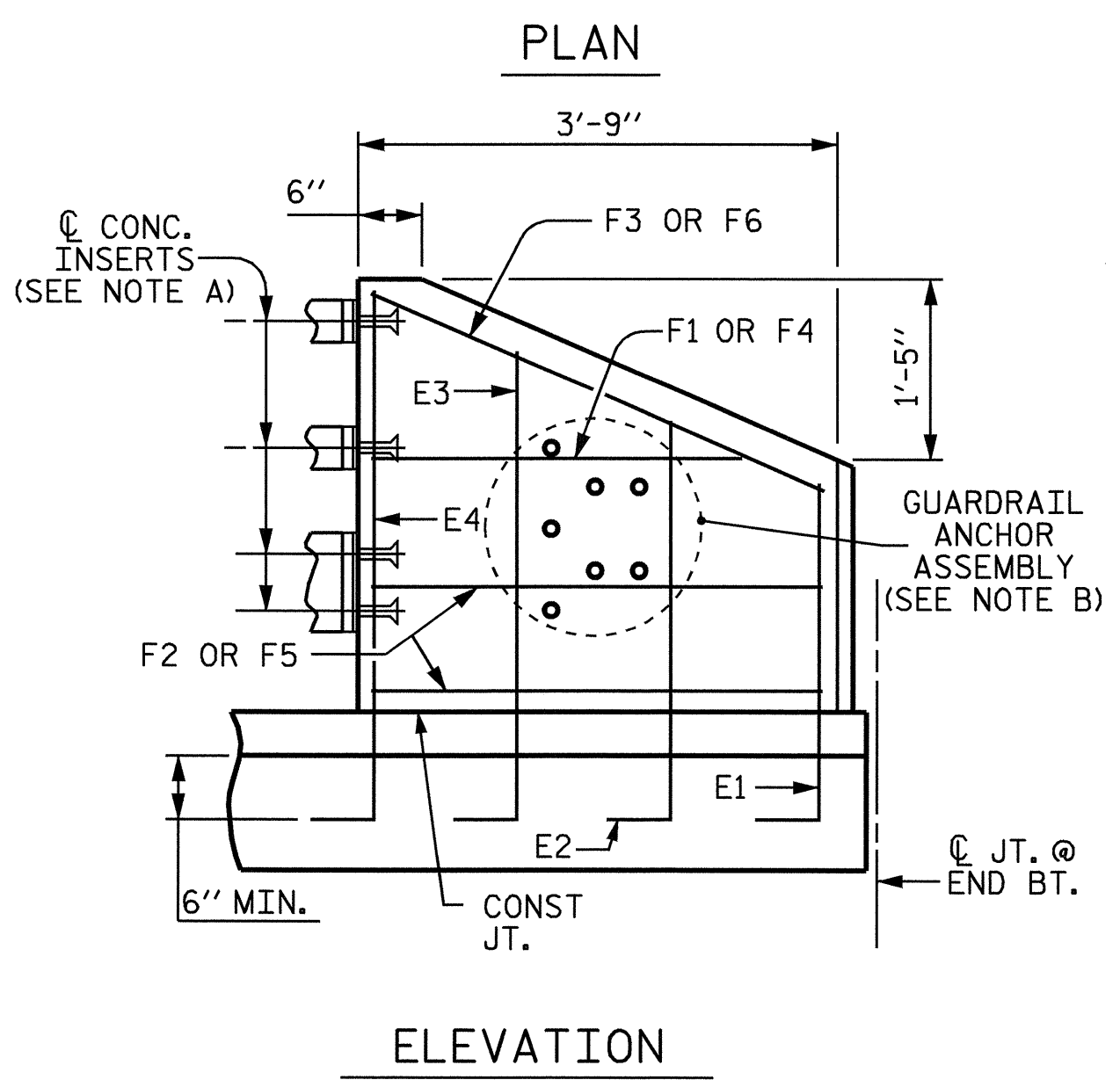
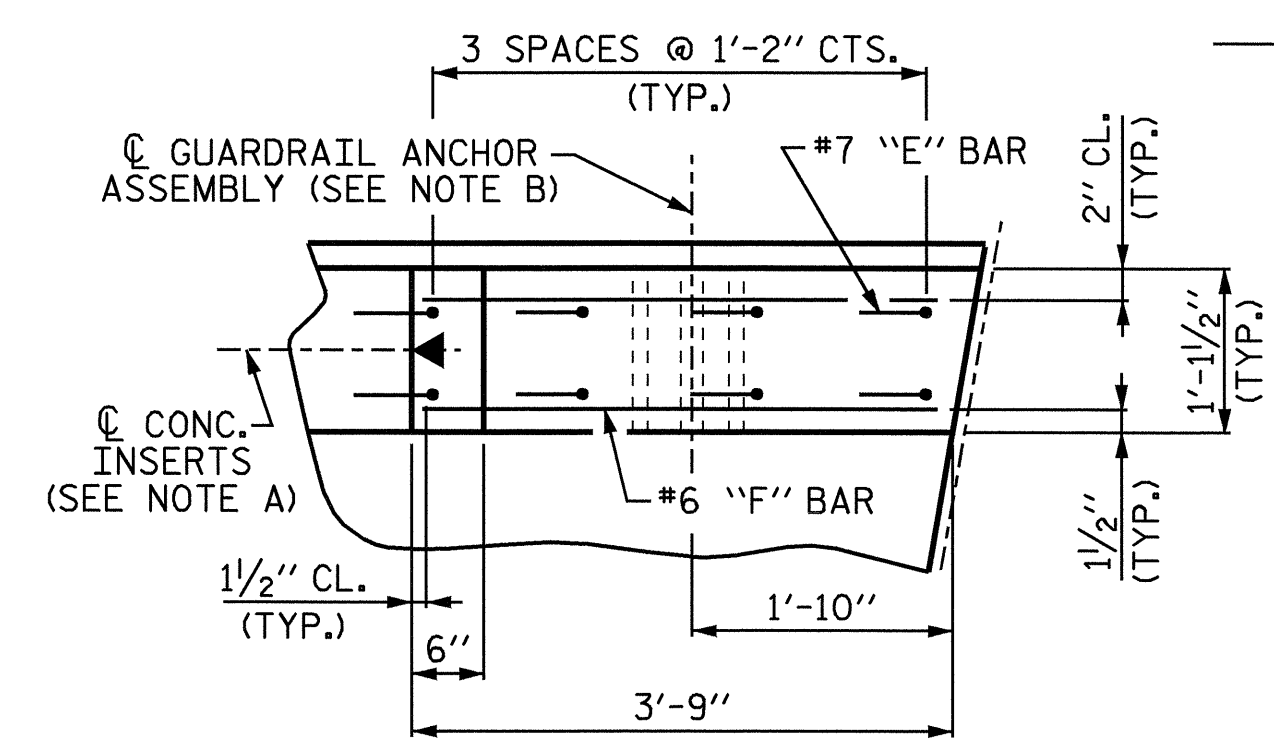
**PLAN OF SIDEWALK**

**NOTES**

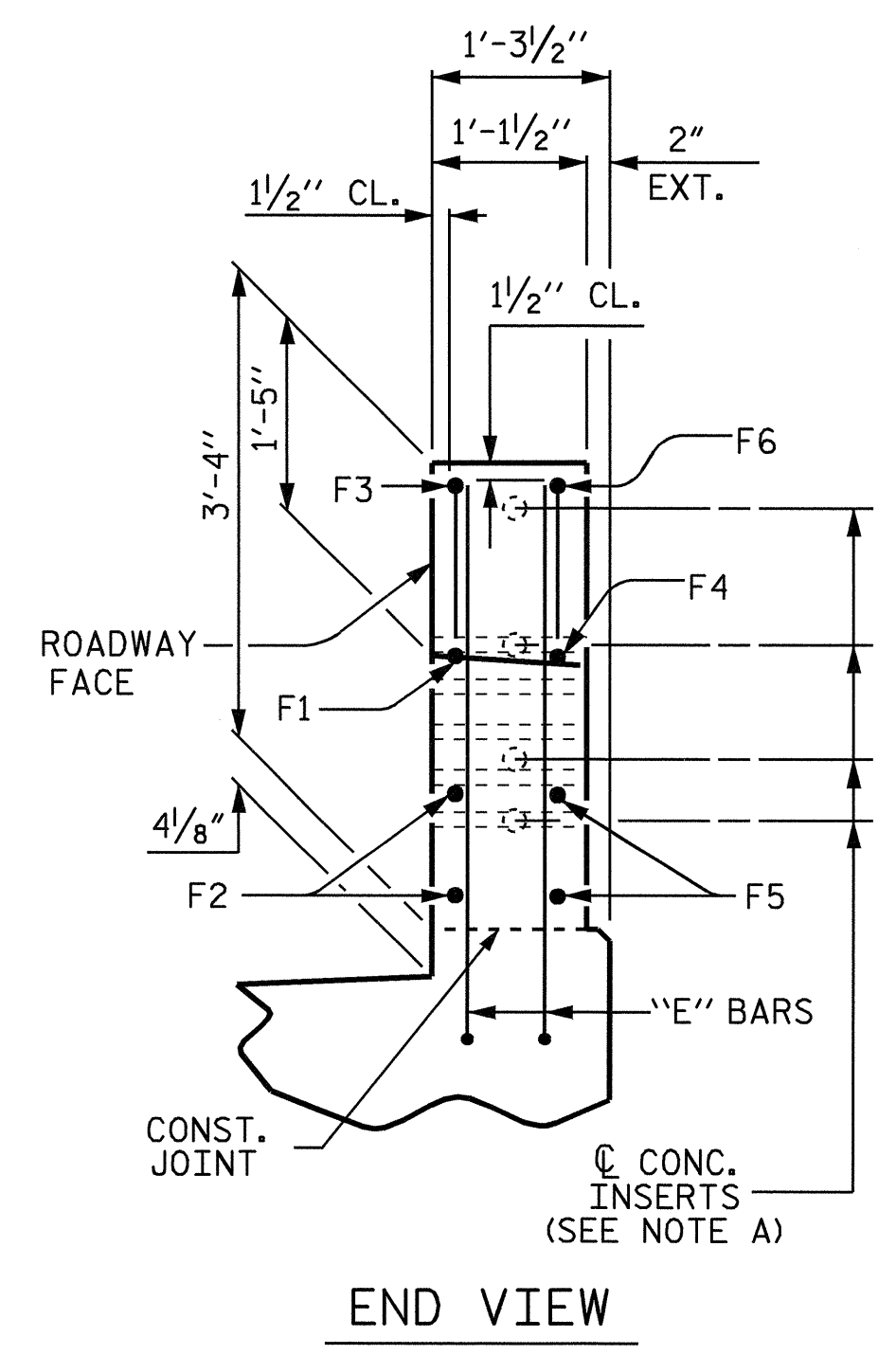
- SIDEWALK IN EACH SPAN SHALL NOT BE CAST UNTIL ALL SLAB CONCRETE IN THAT SPAN HAS BEEN CAST AND HAS REACHED A MINIMUM COMPRESSIVE STRENGTH OF 3,000 PSI.
- THE JOINT IN THE DECK AT EACH END BENT SHALL BE SAWED PRIOR TO THE CASTING OF THE SIDEWALK.
- ALL REINFORCING STEEL IN SIDEWALK AND END POSTS SHALL BE EPOXY COATED.
- THE #4 D2 DOWELS MAY BE PUSHED INTO GREEN CONCRETE AFTER SPAN HAS BEEN SCREEDED OFF, EXCEPT AS NOTED IN "PLAN" VIEW.
- ALL QUANTITIES FOR THE SIDEWALK AND END POSTS ARE INCLUDED IN THE SUPERSTRUCTURE BILL OF MATERIAL.
- FOR SIDEWALK COVER PLATE DETAILS AT THE BENTS, SEE "EXPANSION JOINT SEAL DETAILS FOR SIDEWALK" SHEET. FOR SIDEWALK COVER PLATE DETAILS AT THE END BENTS, SEE "APPROACH SLAB DETAILS" SHEET.
- GROOVED CONTRACTION JOINTS, 1/2" IN DEPTH, SHALL BE TOOLED IN ALL EXPOSED FACES OF THE SIDEWALK IN ACCORDANCE WITH ARTICLE 825-10(B) OF THE STANDARD SPECIFICATIONS. THE CONTRACTION JOINTS SHALL BE LOCATED AT A SPACING OF 8 FT. TO 10 FT. BETWEEN EXPANSION JOINTS. NO CONTRACTION JOINT WILL BE REQUIRED FOR SEGMENTS LESS THAN 10 FEET IN LENGTH.

NOTE A:  
 FOR DETAILS OF CONCRETE INSERTS, SEE "3 BAR METAL RAIL", SHEET 3 OF 3.

NOTE B:  
 FOR DETAILS OF GUARDRAIL ANCHOR ASSEMBLY, SEE "GUARDRAIL ANCHORAGE DETAILS FOR METAL RAILS" SHEET.



SECTION THRU SIDEWALK  
 \*\*DOWELS MAY BE PUSHED INTO GREEN CONCRETE AFTER SPAN HAS BEEN SCREEDED OFF.



**END POST DETAILS**

DRAWN BY: William J. Parker DATE: 02/03/04  
 CHECKED BY: K. K. PUROHIT DATE: 5/25/04

07-JAN-2005 15:27  
 W:\squadg\TURNED\U3837\FINAL.dwg STR\U3837.ed.sw.01.dgn  
 Kalford

PROJECT NO. U-3837  
 FORSYTH COUNTY  
 STATION: 21+64.07-L-

STATE OF NORTH CAROLINA DEPARTMENT OF TRANSPORTATION RALEIGH					
SUPERSTRUCTURE SIDEWALK DETAILS (LEFT LANE WIDENING)					
REVISIONS					
NO.	BY:	DATE:	NO.	BY:	DATE:
1			3		
2			4		
					SHEET NO. S-19
					TOTAL SHEETS 78

