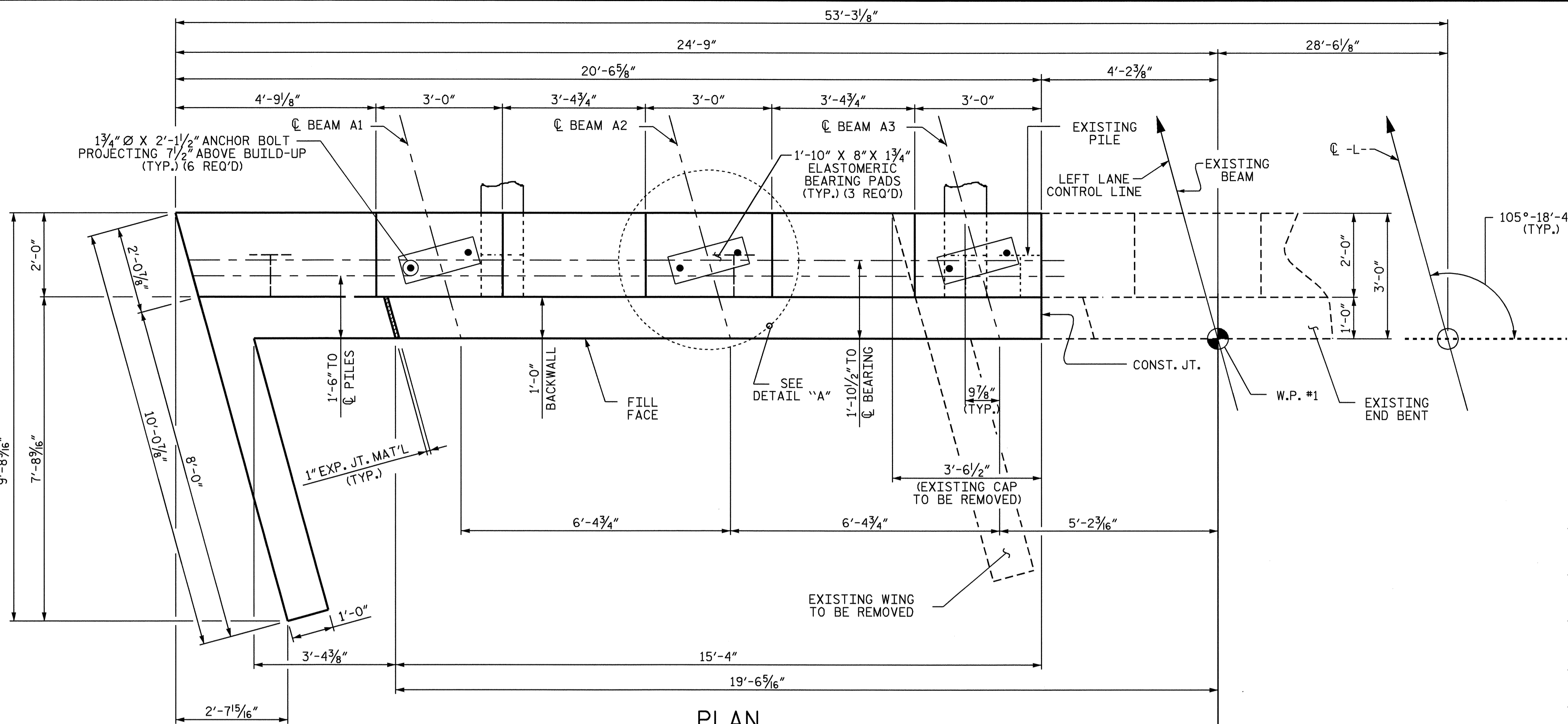
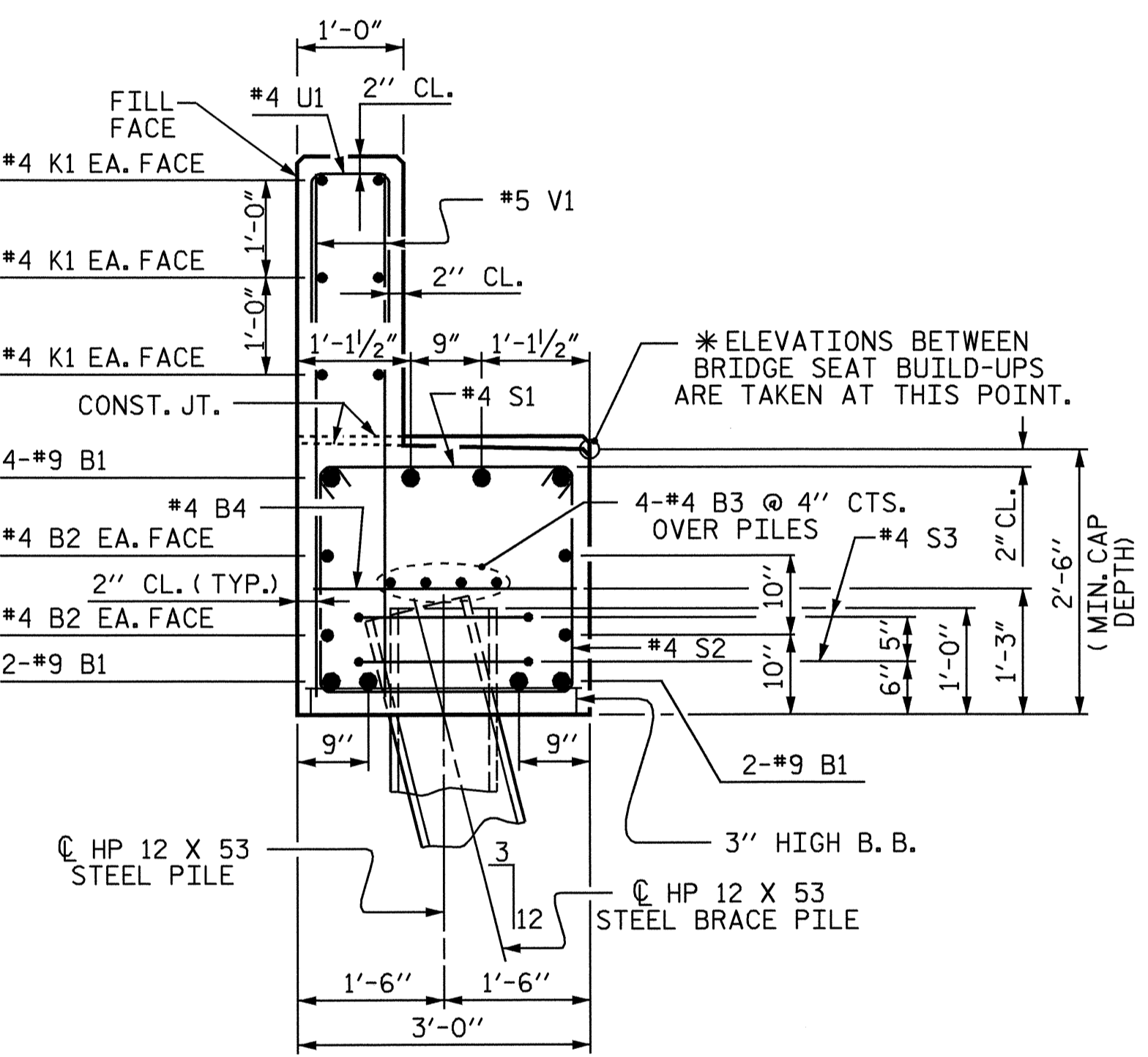


NOTES

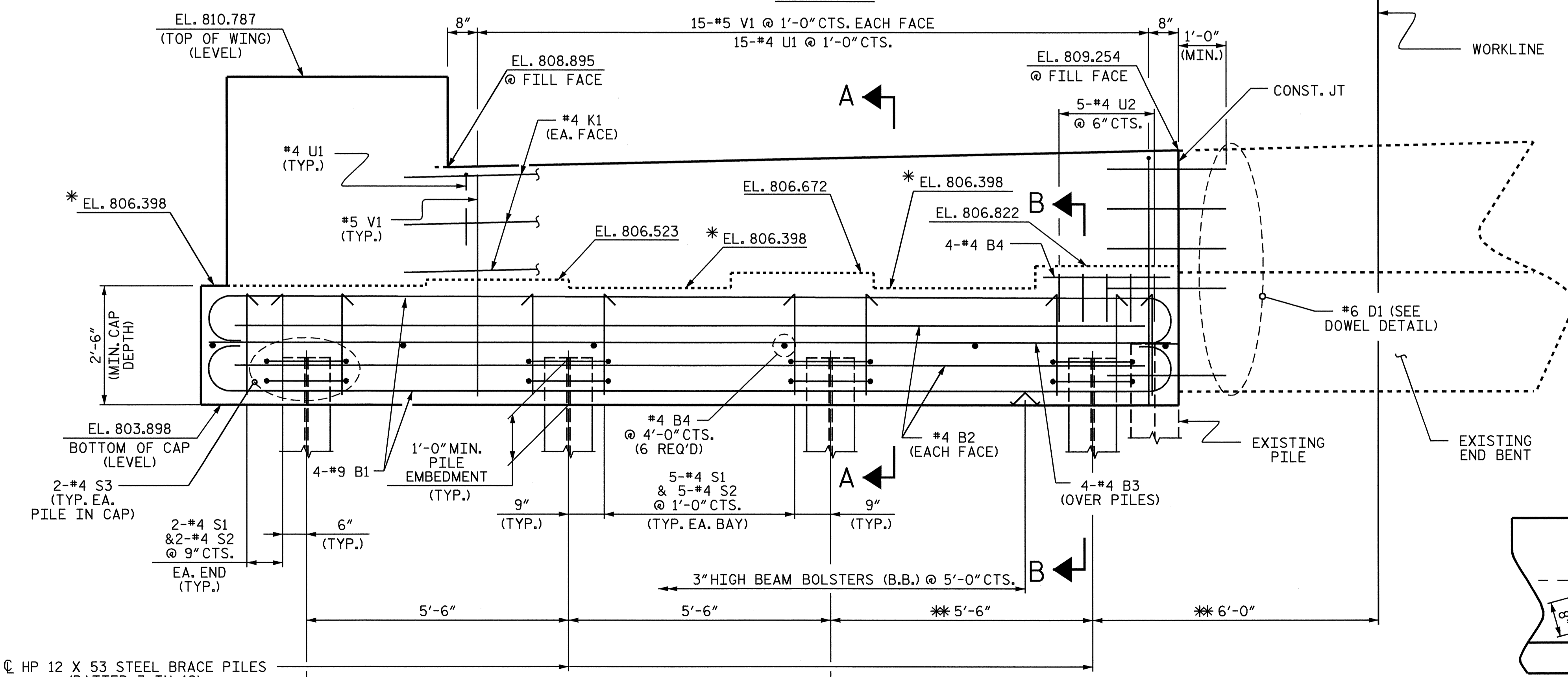
- STIRRUPS IN CAP MAY BE SHIFTED AS NECESSARY TO CLEAR ANCHOR BOLTS.
- FOR EPOXY PROTECTIVE COATING, SEE SPECIAL PROVISIONS.
- BACKWALL SHALL BE PLACED BEFORE APPLYING THE EPOXY PROTECTIVE COATING.
- THE TOP SURFACE AREAS OF THE END BENT CAPS SHALL BE CURED IN ACCORDANCE WITH THE STANDARD SPECIFICATIONS EXCEPT THAT THE MEMBRANE CURING COMPOUND METHOD SHALL NOT BE USED.
- * THE TOP SURFACE OF THE CAP EXCEPT THE BRIDGE SEAT BUILDUPS SHALL BE SLOPED TRANSVERSELY FROM THE FILL FACE TO THE BACK FACE AT THE RATE OF 2%.
- THE CONTRACTOR SHALL PROVIDE FOR INSTALLATION OF THE 4" DIAMETER DRAIN PIPE THROUGH THE WING WALL AS REQUIRED FOR REINFORCED BRIDGE APPROACH FILLS, SEE THE ROADWAY PLANS. REINFORCING STEEL IN THE WING WALL MAY BE SHIFTED AS NECESSARY TO CLEAR THE DRAIN PIPE.
- FOR PILE SPLICE DETAILS, SEE SHEET 2 OF 2.
- ** CONTRACTOR MAY ADJUST THESE PILE DIMENSIONS AS NEEDED TO AVOID INTERFERENCE WITH EXISTING PILE.
- THE D1 DOWELS SHALL BE INSTALLED USING AN ADHESIVE ANCHORING SYSTEM. FOR ADHESIVELY ANCHORED ANCHOR BOLTS OR DOWELS, SEE SPECIAL PROVISIONS.



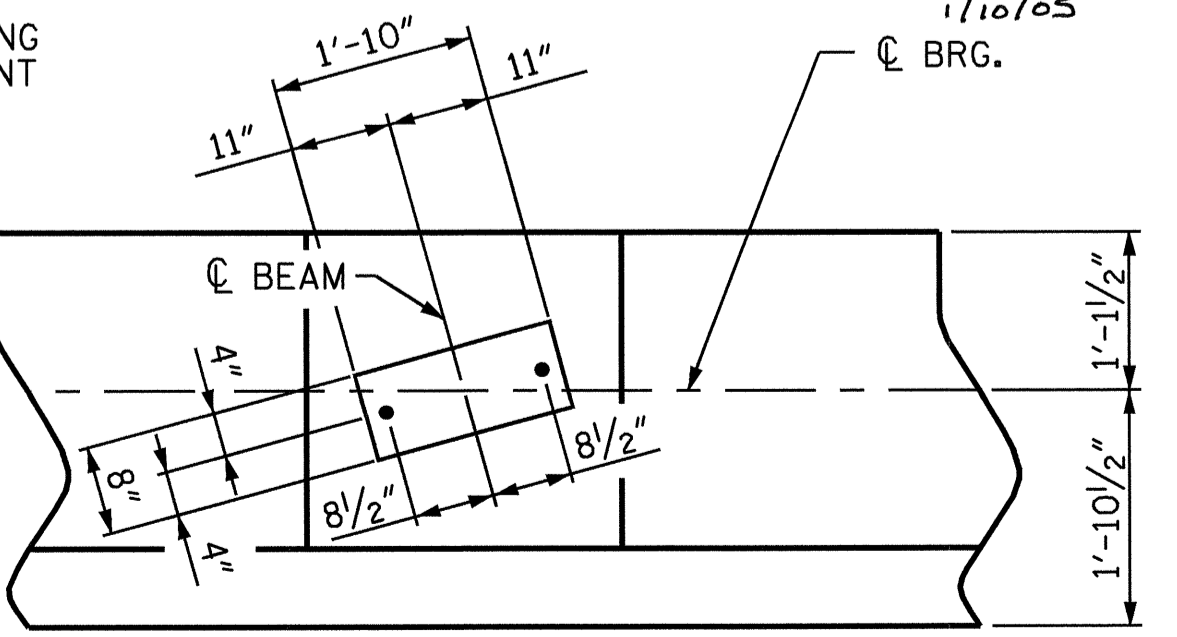
PLAN



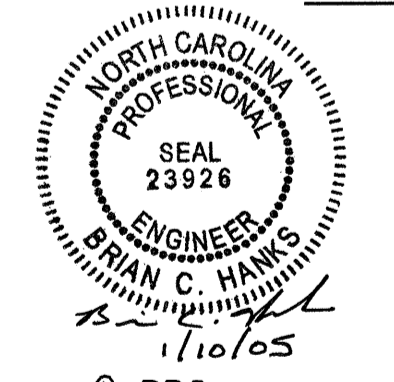
SECTION A-A



ELEVATION



DETAIL A



PROJECT NO. U-3837
FORSYTH COUNTY
STATION: 21+64.07 -L-

SHEET 1 OF 2

STATE OF NORTH CAROLINA
DEPARTMENT OF TRANSPORTATION
RALEIGH

SUBSTRUCTURE
END BENT 1

REVISIONS				SHEET NO.
NO.	BY:	DATE:	NO.	DATE:
1			3	
2			4	

S-29
TOTAL SHEETS 78

DRAWN BY : D. G. ELY DATE : 05/26/04
CHECKED BY : W. F. PARKER DATE : 06/04

(WING NOT SHOWN FOR CLARITY)
(PORION OF EXISTING CAP TO BE REMOVED NOT SHOWN FOR CLARITY)